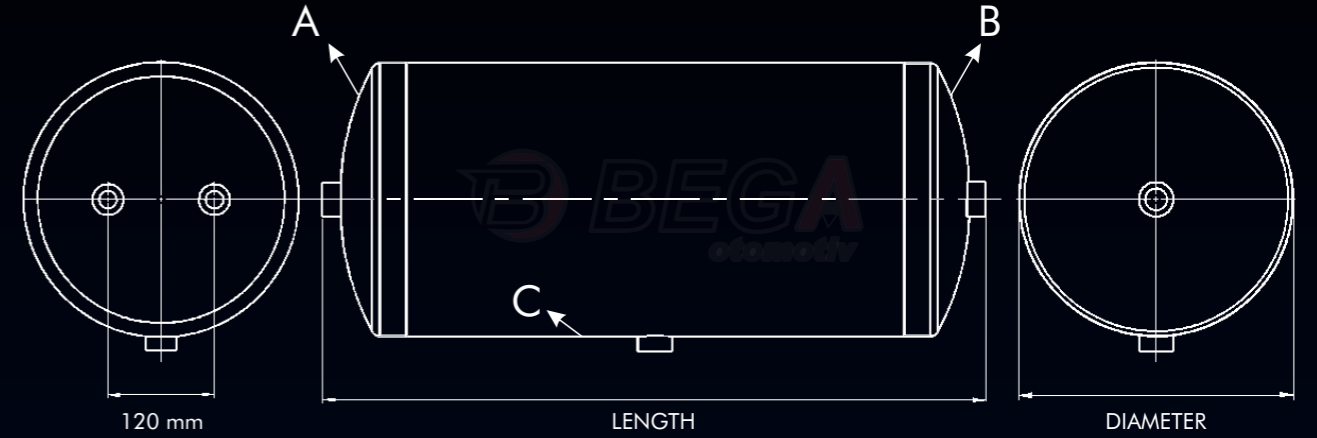


B **BEGA**
otomotiv



Bega Otomotiv
Hava Tüpleri Daima Yanınızda..

Bega Otomotiv
Air Tanks Always With You..



Özellikler; (Features)

BEGA NUMARASI Bega No.	BG3020600	
ORJINAL NUMARASI Original No.	ABR A621	
PE NUMARASI PE No.	106.500-00A	
ÇAP (mm) Diameter (mm)	206	
HACİM (LİTRE) Capacity (Liter)	10	
TOPLAM UZUNLUK (mm.) Length (mm)	348	
MANŞON BAĞLANTISI Thread Connection	M22 X 1,5	
KAPAK BAĞLANTI ELEMAN SAYISI (A) Number Of Connection Elements on Each Side Length (A)	2 (120 MM.)	
KAPAK BAĞLANTI ELEMAN SAYISI (B) Number Of Connection Elements on Each Side Length (B)	1	
GÖVDE BAĞLANTI ELEMAN SAYISI (C) Number Of Connection Elements on Body (C)	1	
MALZEME Material	STEEL	

Fren Merkezi Hava Tüplerinin imalat ve pazarlama sektöründe faaliyet göstermektedir.

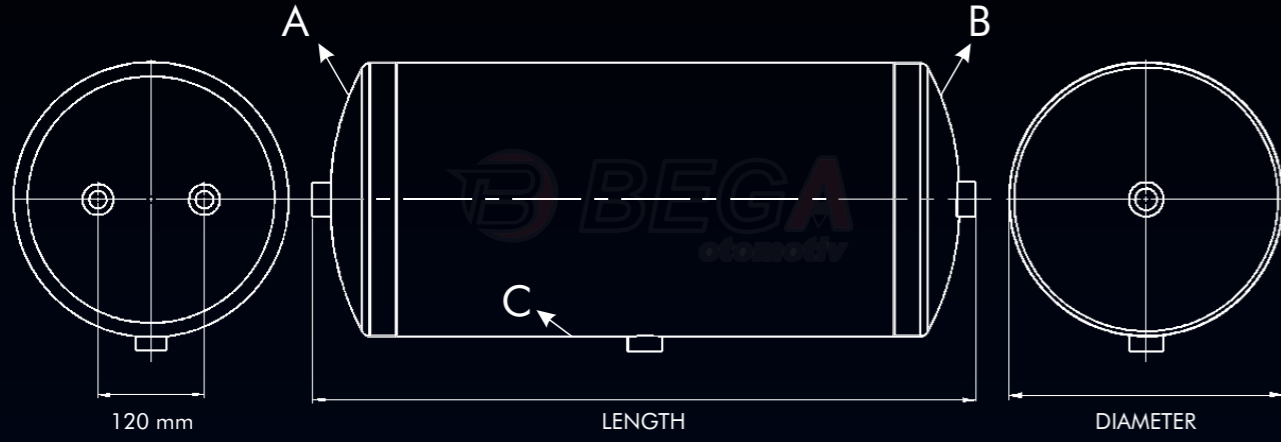
Şirketimiz; Mutlak kalite anlayışı ve koşulsuz müşteri memnuniyeti prensibiyle birlikte nitelikli ürünleri en iyi fiyat avantajlarıyla birleştirerek sektöründe haklı liderliğini devam ettirmeyi ve kaliteden vazgeçmeyen kaliteli müşteri portföyünü arttırmayı hedeflemektedir.

Firmamız; Dorse ve Damper Fren Merkezi Hava Tüpleri ile Traktör ve Kamyonet Fren Merkezi Hava Tüplerinin imalatını ve pazarlamasını yapmaktadır.

Taahhütlerini zamanında ve eksiksiz yerine getirmek için gerekli bilgi ekip ve ekipmana sahip olan firmamız, her zaman müşteri memnuniyetini sürekli yükseltmeyi amaçlamaktadır.

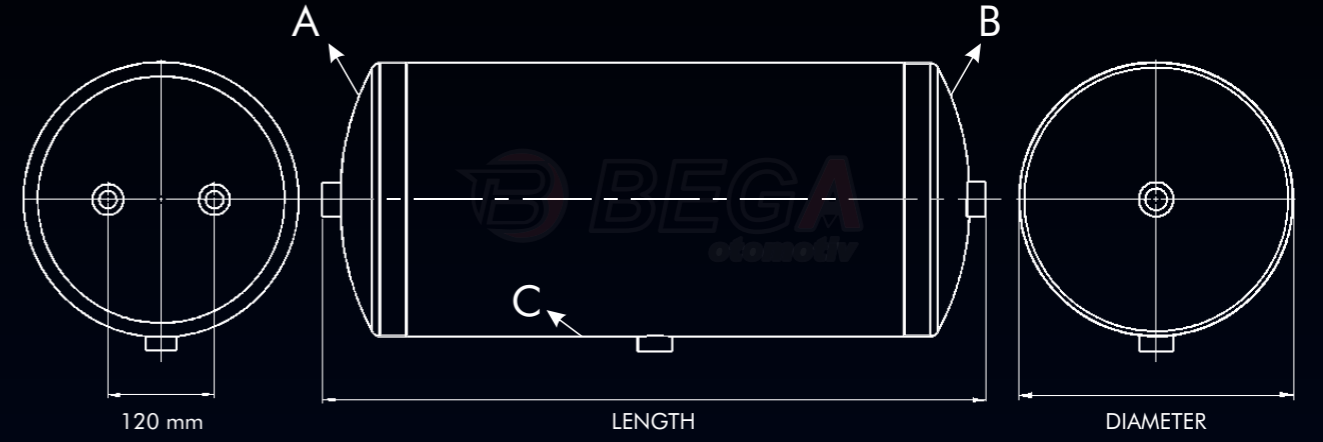
İmalat sürecinde tecrübeli ve teknik personeli ile pek çok ürünün altına imza atmıştır Gelecekte de kaliteden ödün vermeden çalışanları ile birlikte bu sayıyı yükseltmeyi hedeflemektedir.

Değişen ve gelişen müşteri beklentilerine uygun olarak bizler de kendimizi geliştirdik. "Kaliteli ve ekonomik Ürün" sloganıyla, günümüz rekabet piyasasında ihtiyaç duyacağınız ürün ve ekipmanlarda İsmimizin aranılan anılan firma olması gayesiyle sektördeki faaliyetimize devam etmekteyiz.



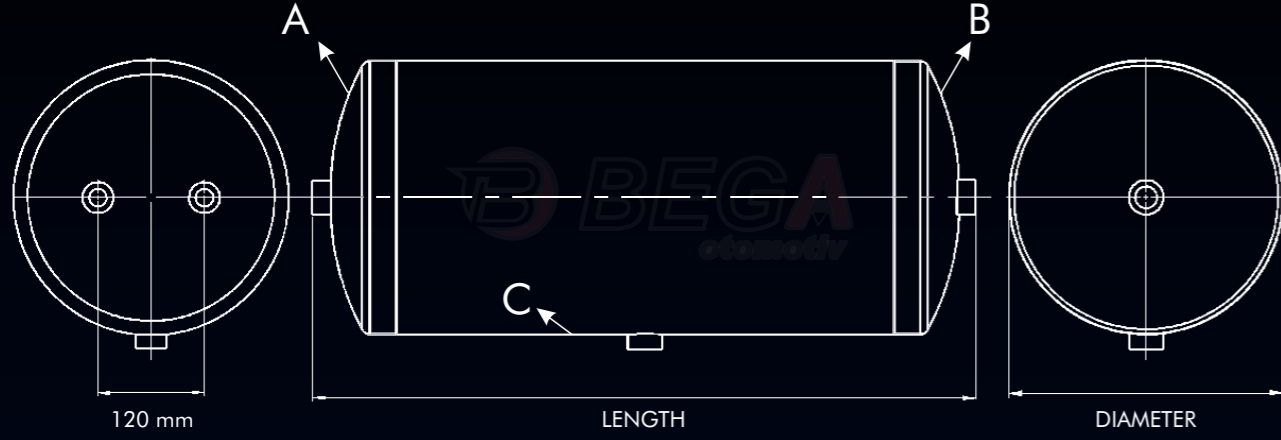
Özellikler; (Features)

BEGA NUMARASI Bega No.	BG3027603	
ORJINAL NUMARASI Original No.	ABR A383	
PE NUMARASI PE No.	106.501-00A	
ÇAP (mm) Diameter (mm)	276	
HACİM (LİTRE) Capacity (Liter)	30	
TOPLAM UZUNLUK (mm.) Length (mm)	568	
MANŞON BAĞLANTISI Thread Connection	M22 X 1,5	
KAPAK BAĞLANTI ELEMAN SAYISI (A) Number Of Connection Elements on Each Side Length (A)	2 (120 MM.)	
KAPAK BAĞLANTI ELEMAN SAYISI (B) Number Of Connection Elements on Each Side Length (B)	1	
GÖVDE BAĞLANTI ELEMAN SAYISI (C) Number Of Connection Elements on Body (C)	1	
MALZEME Material	STEEL	



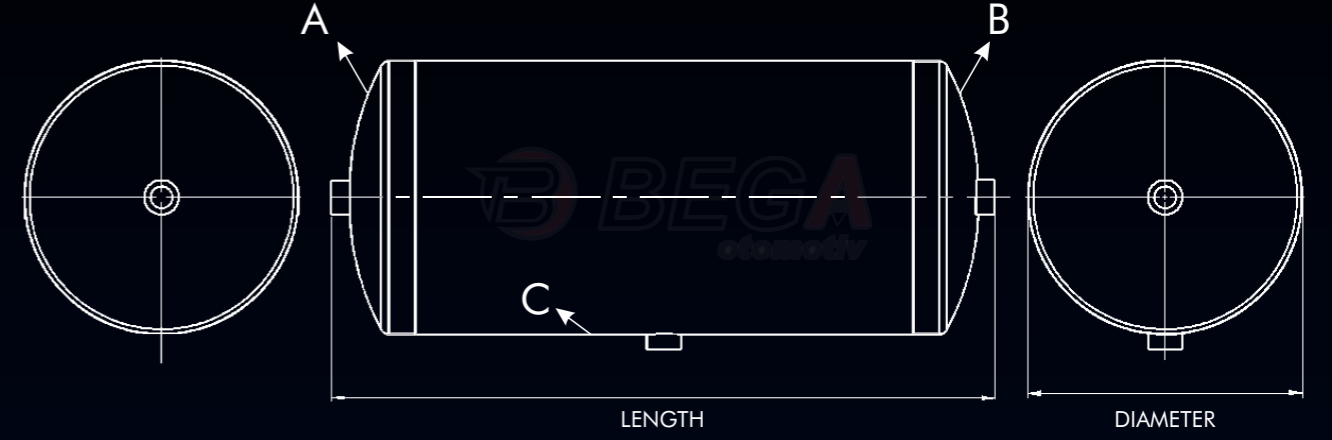
Özellikler; (Features)

BEGA NUMARASI Bega No.		
ORJINAL NUMARASI Original No.	ABR A361	
PE NUMARASI PE No.	106.502-00A	
ÇAP (mm) Diameter (mm)	246	
HACİM (LİTRE) Capacity (Liter)	20	
TOPLAM UZUNLUK (mm.) Length (mm)	498	
MANŞON BAĞLANTISI Thread Connection	M22 X 1,5	
KAPAK BAĞLANTI ELEMAN SAYISI (A) Number Of Connection Elements on Each Side Length (A)	2 (120 MM.)	
KAPAK BAĞLANTI ELEMAN SAYISI (B) Number Of Connection Elements on Each Side Length (B)	1	
GÖVDE BAĞLANTI ELEMAN SAYISI (C) Number Of Connection Elements on Body (C)	0	
MALZEME Material	STEEL	



Özellikler; (Features)

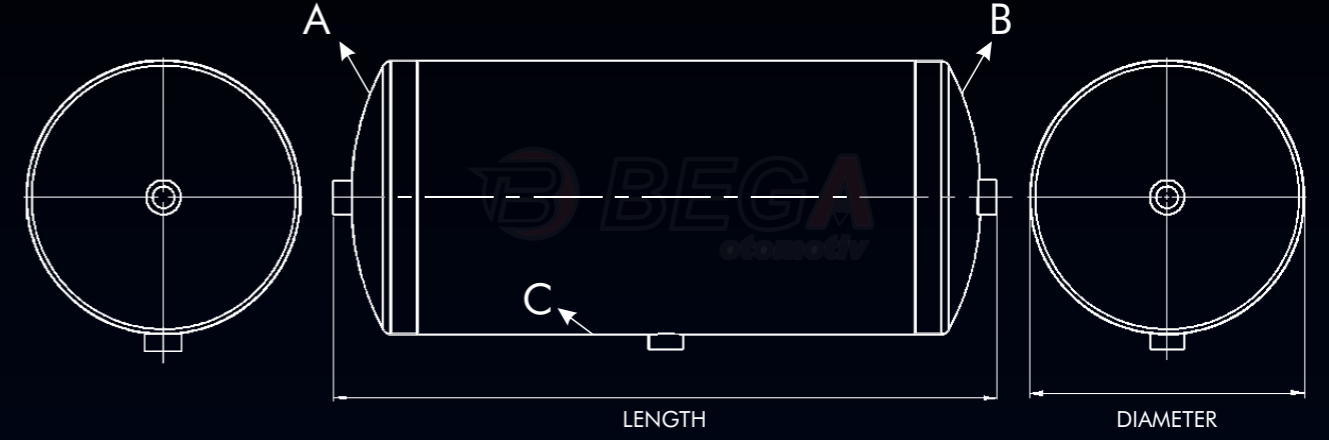
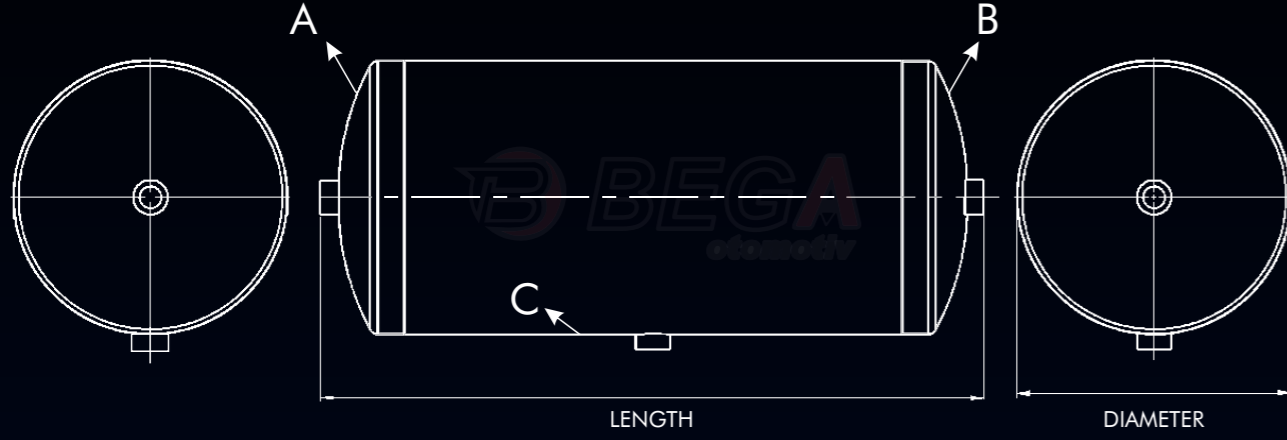
BEGA NUMARASI Bega No.	BG2020606	
ORJINAL NUMARASI Original No.	ABR D557	
PE NUMARASI PE No.	106.503-00A	
ÇAP (mm) Diameter (mm)	206	
HACİM (LİTRE) Capacity (Liter)	20	
TOPLAM UZUNLUK (mm.) Length (mm)	652	
MANŞON BAĞLANTISI Thread Connection	M22 X 1,5	
KAPAK BAĞLANTI ELEMAN SAYISI (A) Number Of Connection Elements on Each Side Length (A)	2 (120 MM.)	
KAPAK BAĞLANTI ELEMAN SAYISI (B) Number Of Connection Elements on Each Side Length (B)	1	
GÖVDE BAĞLANTI ELEMAN SAYISI (C) Number Of Connection Elements on Body (C)	1	
MALZEME Material	STEEL	



Özellikler; (Features)

BEGA NUMARASI Bega No.	BG30815500	
ORJINAL NUMARASI Original No.	1 227 894	
PE NUMARASI PE No.	106.505-00A	
ÇAP (mm) Diameter (mm)	154	
HACİM (LİTRE) Capacity (Liter)	3,8	
TOPLAM UZUNLUK (mm.) Length (mm)	285	
MANŞON BAĞLANTISI Thread Connection	M22 X 1,5	
KAPAK BAĞLANTI ELEMAN SAYISI (A) Number Of Connection Elements on Each Side Length (A)	1	
KAPAK BAĞLANTI ELEMAN SAYISI (B) Number Of Connection Elements on Each Side Length (B)	1	
GÖVDE BAĞLANTI ELEMAN SAYISI (C) Number Of Connection Elements on Body (C)	0	
MALZEME Material	STEEL	



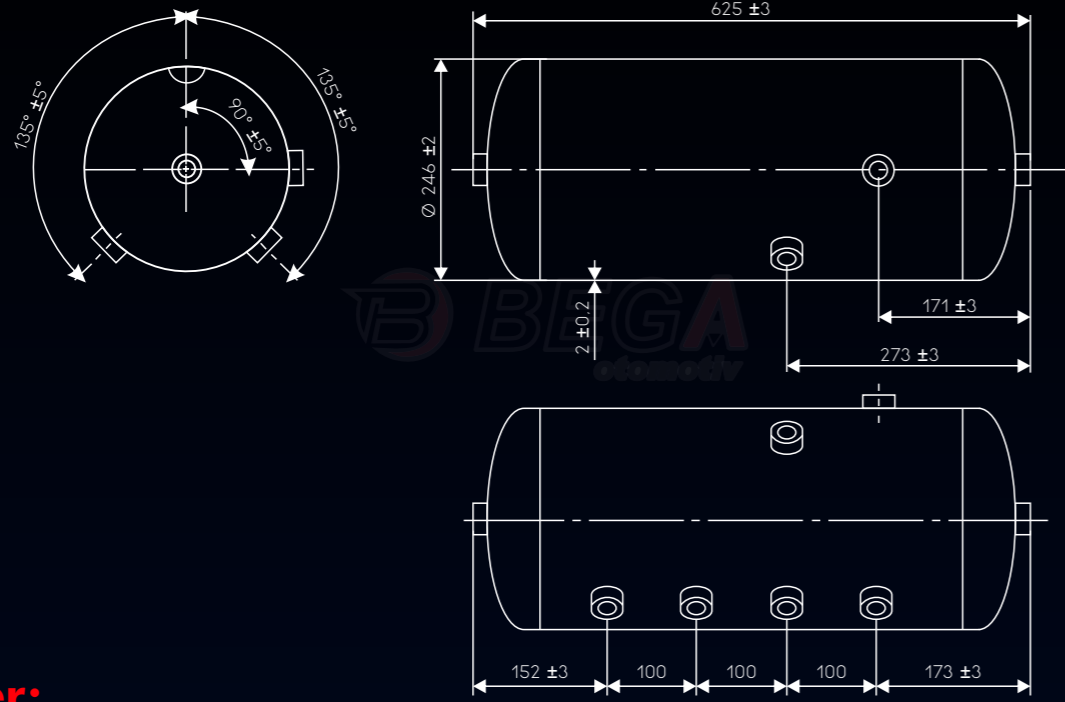


Özellikler; (Features)

BEGA NUMARASI Bega No.	BG50515400	
ORJINAL NUMARASI Original No.	1 733 548	
PE NUMARASI PE No.	106.506-00A	
ÇAP (mm) Diameter (mm)	154	
HACİM (LİTRE) Capacity (Liter)	5,5	
TOPLAM UZUNLUK (mm.) Length (mm)	369	
MANŞON BAĞLANTISI Thread Connection	M22 X 1,5	
KAPAK BAĞLANTI ELEMAN SAYISI (A) Number Of Connection Elements on Each Side Length (A)	1	
KAPAK BAĞLANTI ELEMAN SAYISI (B) Number Of Connection Elements on Each Side Length (B)	1	
GÖVDE BAĞLANTI ELEMAN SAYISI (C) Number Of Connection Elements on Body (C)	1	
MALZEME Material	STEEL	

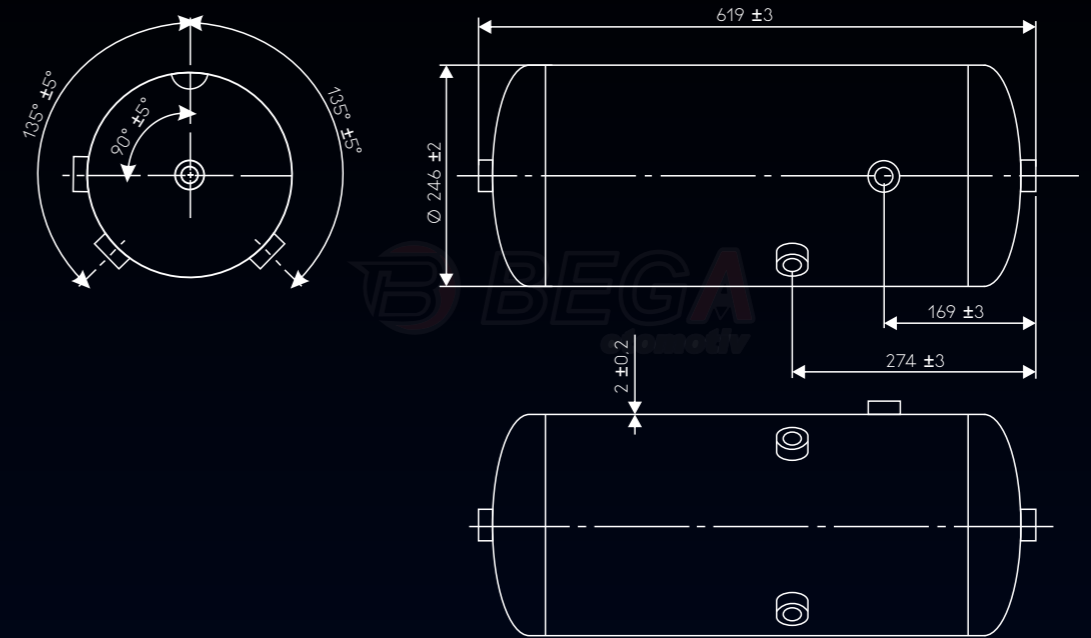
Özellikler; (Features)

BEGA NUMARASI Bega No.	BG0715400	
ORJINAL NUMARASI Original No.	1 733 547	
PE NUMARASI PE No.	106.507-00A	
ÇAP (mm) Diameter (mm)	154	
HACİM (LİTRE) Capacity (Liter)	7	
TOPLAM UZUNLUK (mm.) Length (mm)	461	
MANŞON BAĞLANTISI Thread Connection	M22 X 1,5	
KAPAK BAĞLANTI ELEMAN SAYISI (A) Number Of Connection Elements on Each Side Length (A)	1	
KAPAK BAĞLANTI ELEMAN SAYISI (B) Number Of Connection Elements on Each Side Length (B)	1	
GÖVDE BAĞLANTI ELEMAN SAYISI (C) Number Of Connection Elements on Body (C)	12,5	
MALZEME Material	STEEL	



Özellikler;
(Features)

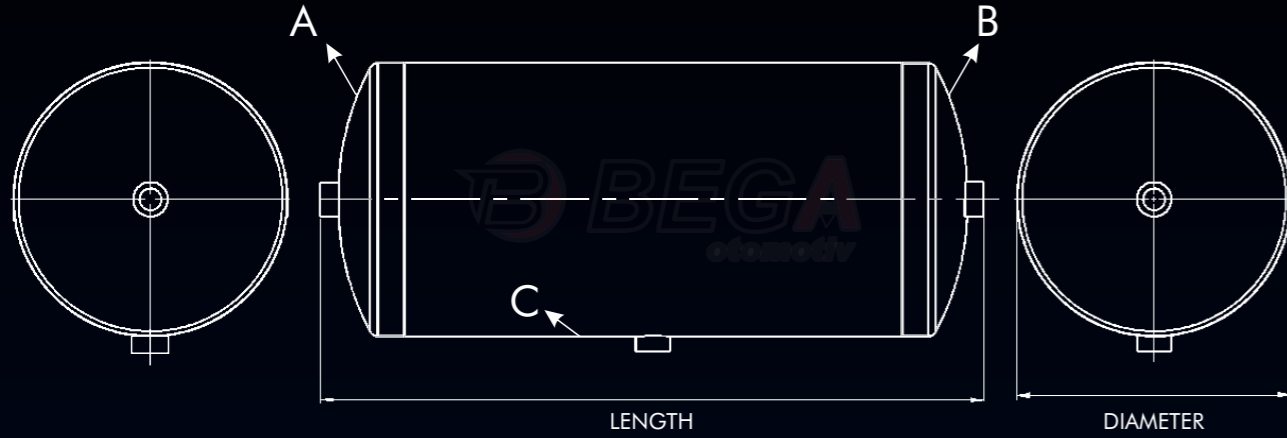
BEGA NUMARASI Bega No.	BG2524605	
ORJINAL NUMARASI Original No.	1 694 140	
PE NUMARASI PE No.	106.508-00A	
ÇAP (mm) Diameter (mm)	246	
HACİM (LİTRE) Capacity (Liter)	25	
TOPLAM UZUNLUK (mm.) Length (mm)	625	
MANŞON BAĞLANTISI Thread Connection	M22 X 1,5	
KAPAK BAĞLANTI ELEMAN SAYISI (A) Number Of Connection Elements on Each Side Length (A)	1	
KAPAK BAĞLANTI ELEMAN SAYISI (B) Number Of Connection Elements on Each Side Length (B)	1	
GÖVDE BAĞLANTI ELEMAN SAYISI (C) Number Of Connection Elements on Body (C)	6	
MALZEME Material	STEEL	



Özellikler;
(Features)

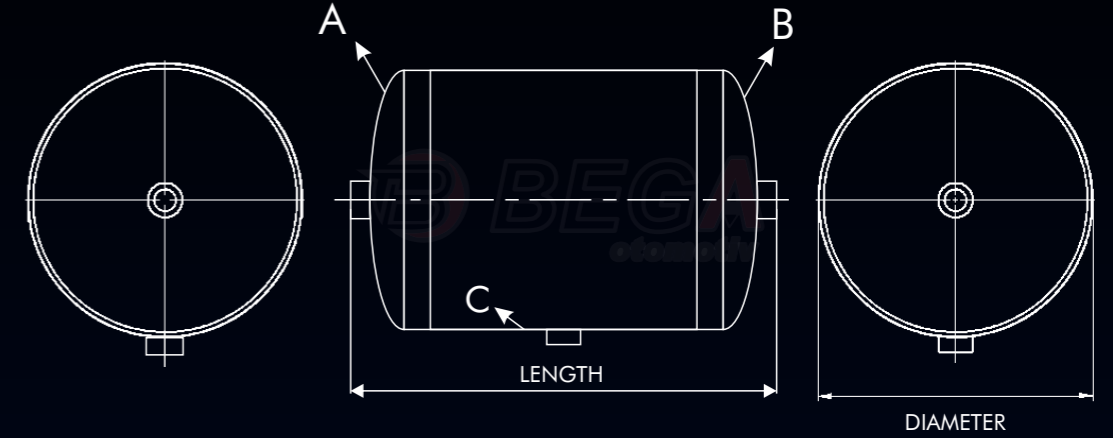
BEGA NUMARASI Bega No.	BG2524606	
ORJINAL NUMARASI Original No.	1 616 333	
PE NUMARASI PE No.	106.509-00A	
ÇAP (mm) Diameter (mm)	246	
HACİM (LİTRE) Capacity (Liter)	25	
TOPLAM UZUNLUK (mm.) Length (mm)	617	
MANŞON BAĞLANTISI Thread Connection	M22 X 1,5	
KAPAK BAĞLANTI ELEMAN SAYISI (A) Number Of Connection Elements on Each Side Length (A)	1	
KAPAK BAĞLANTI ELEMAN SAYISI (B) Number Of Connection Elements on Each Side Length (B)	1	
GÖVDE BAĞLANTI ELEMAN SAYISI (C) Number Of Connection Elements on Body (C)	3	
MALZEME Material	STEEL	





Özellikler; (Features)

BEGA NUMARASI Bega No.	BG2024608	
ORJINAL NUMARASI Original No.	1 733 546	
PE NUMARASI PE No.	106.510-00A	
ÇAP (mm) Diameter (mm)	246	
HACİM (LİTRE) Capacity (Liter)	20	
TOPLAM UZUNLUK (mm.) Length (mm)	533	
MANŞON BAĞLANTISI Thread Connection	M22 X 1,5	
KAPAK BAĞLANTI ELEMAN SAYISI (A) Number Of Connection Elements on Each Side Length (A)	1	
KAPAK BAĞLANTI ELEMAN SAYISI (B) Number Of Connection Elements on Each Side Length (B)	1	
GÖVDE BAĞLANTI ELEMAN SAYISI (C) Number Of Connection Elements on Body (C)	1	
MALZEME Material	STEEL	

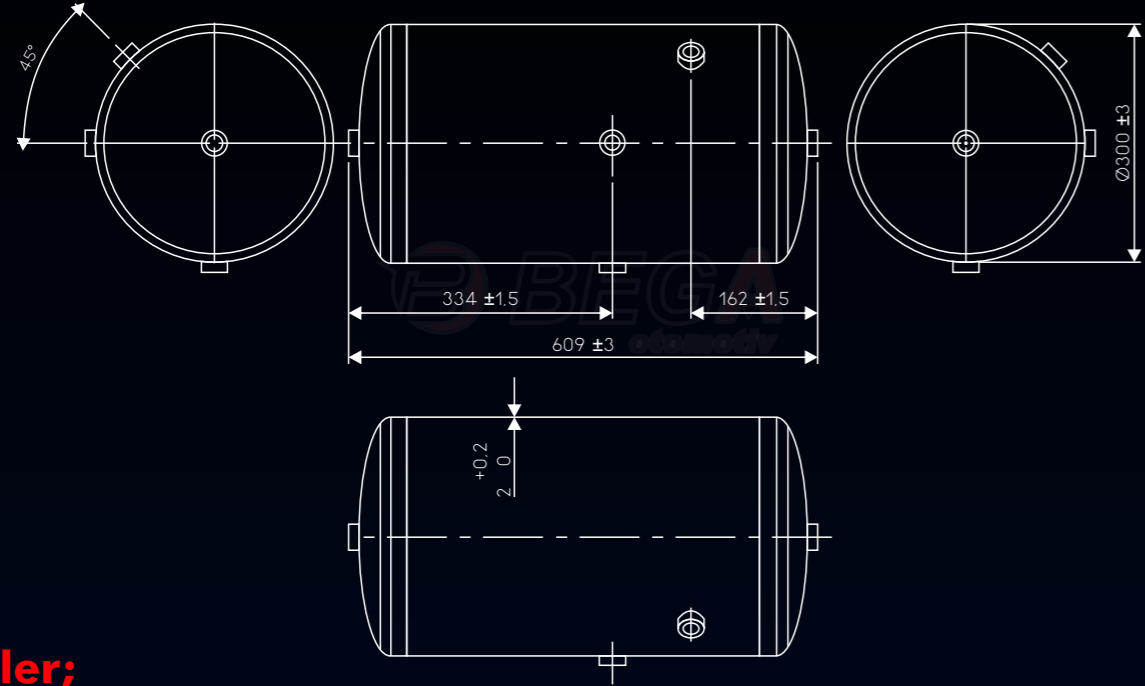


Özellikler; (Features)

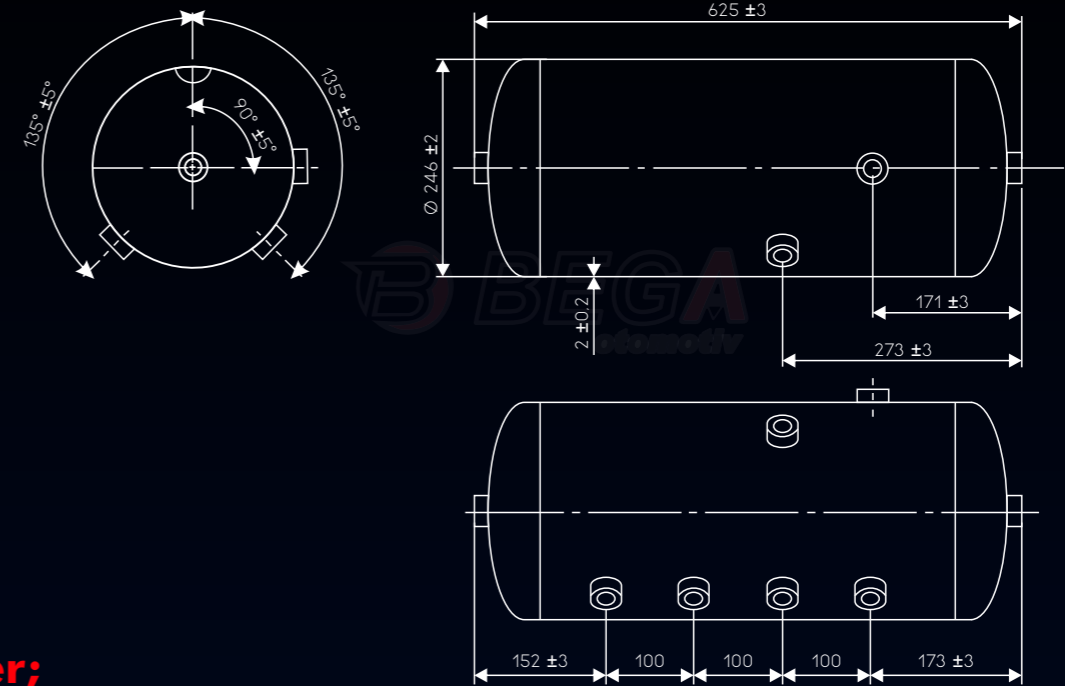
BEGA NUMARASI Bega No.	BG2030000	
ORJINAL NUMARASI Original No.	1 616 331	
PE NUMARASI PE No.	106.511-00A	
ÇAP (mm) Diameter (mm)	300	
HACİM (LİTRE) Capacity (Liter)	20	
TOPLAM UZUNLUK (mm.) Length (mm)	373	
MANŞON BAĞLANTISI Thread Connection	M22 X 1,5	
KAPAK BAĞLANTI ELEMAN SAYISI (A) Number Of Connection Elements on Each Side Length (A)	1	
KAPAK BAĞLANTI ELEMAN SAYISI (B) Number Of Connection Elements on Each Side Length (B)	1	
GÖVDE BAĞLANTI ELEMAN SAYISI (C) Number Of Connection Elements on Body (C)	1	
MALZEME Material	STEEL	



DAF NUMARASI
BEGA No.

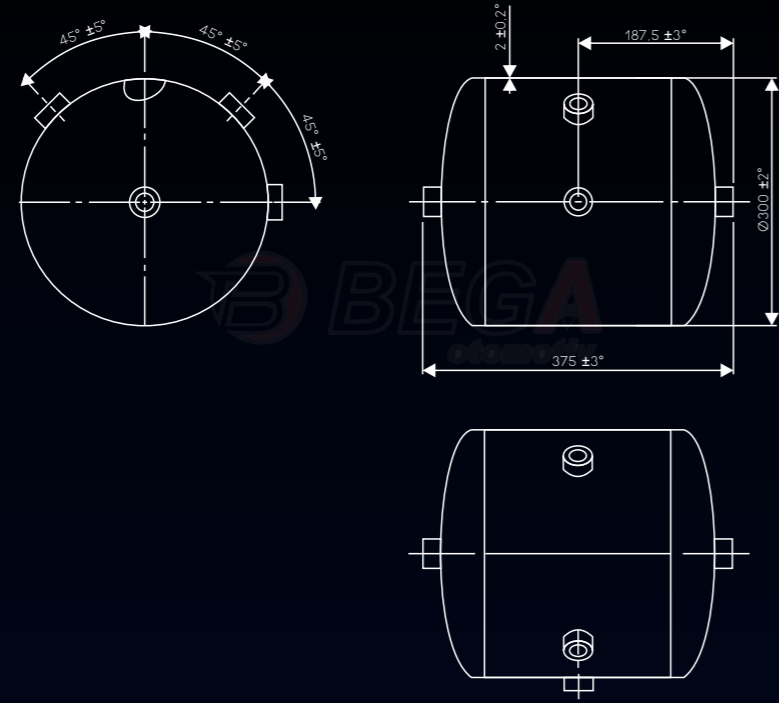

Özellikler;
(Features)

BEGA NUMARASI Bega No.	BG3630001	
ORJINAL NUMARASI Original No.	1 733 544	
PE NUMARASI PE No.	106.514-00A	
ÇAP (mm) Diameter (mm)	300	
HACİM (LİTRE) Capacity (Liter)	36	
TOPLAM UZUNLUK (mm.) Length (mm)	596	
MANŞON BAĞLANTISI Thread Connection	M22 X 1,5	
KAPAK BAĞLANTI ELEMAN SAYISI (A) Number Of Connection Elements on Each Side Length (A)	1	
KAPAK BAĞLANTI ELEMAN SAYISI (B) Number Of Connection Elements on Each Side Length (B)	1	
GÖVDE BAĞLANTI ELEMAN SAYISI (C) Number Of Connection Elements on Body (C)	3	
MALZEME Material	STEEL	


Özellikler;
(Features)

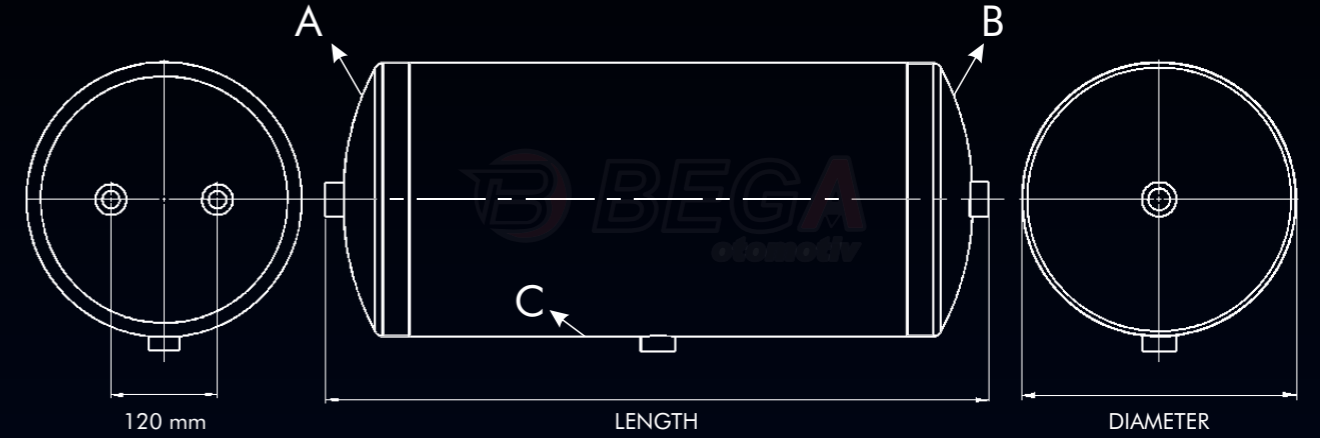
BEGA NUMARASI Bega No.		
ORJINAL NUMARASI Original No.	1 736 399	
PE NUMARASI PE No.	106.515-00A	
ÇAP (mm) Diameter (mm)	246	
HACİM (LİTRE) Capacity (Liter)	25	
TOPLAM UZUNLUK (mm.) Length (mm)	625	
MANŞON BAĞLANTISI Thread Connection	M22 X 1,5	
KAPAK BAĞLANTI ELEMAN SAYISI (A) Number Of Connection Elements on Each Side Length (A)	1	
KAPAK BAĞLANTI ELEMAN SAYISI (B) Number Of Connection Elements on Each Side Length (B)	1	
GÖVDE BAĞLANTI ELEMAN SAYISI (C) Number Of Connection Elements on Body (C)	6	
MALZEME Material	STEEL	





Özellikler;
(Features)

BEGA NUMARASI Bega No.		
ORJINAL NUMARASI Original No.	1 736 199	
PE NUMARASI PE No.	106.516-00A	
ÇAP (mm) Diameter (mm)	300	
HACİM (LİTRE) Capacity (Liter)	20	
TOPLAM UZUNLUK (mm.) Length (mm)	375	
MANŞON BAĞLANTISI Thread Connection	M22 X 1,5	
KAPAK BAĞLANTI ELEMAN SAYISI (A) Number Of Connection Elements on Each Side Length (A)	1	
KAPAK BAĞLANTI ELEMAN SAYISI (B) Number Of Connection Elements on Each Side Length (B)	1	
GÖVDE BAĞLANTI ELEMAN SAYISI (C) Number Of Connection Elements on Body (C)	3	
MALZEME Material	STEEL	



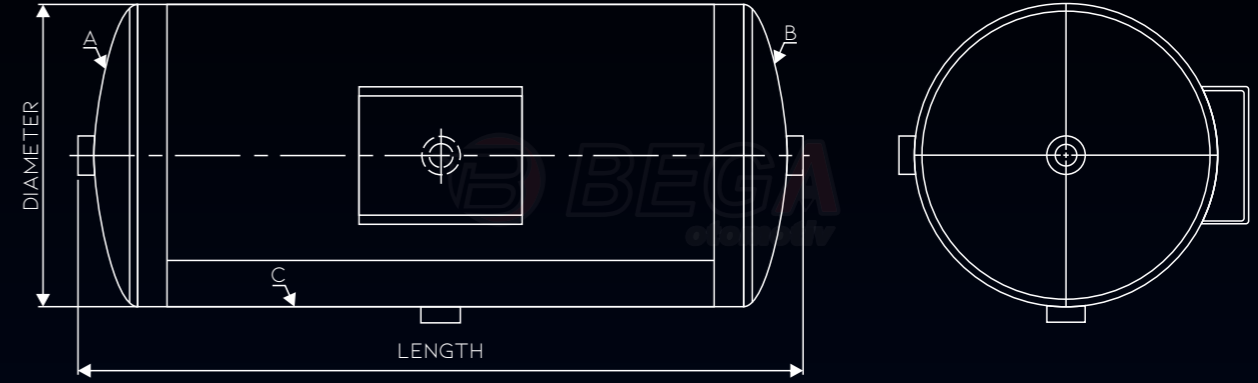
Özellikler;
(Features)

BEGA NUMARASI Bega No.	BG1520600	
ORJINAL NUMARASI Original No.	4201 5440	
PE NUMARASI PE No.	026.039-00A	
ÇAP (mm) Diameter (mm)	206	
HACİM (LİTRE) Capacity (Liter)	15	
TOPLAM UZUNLUK (mm.) Length (mm)	525	
MANŞON BAĞLANTISI Thread Connection	M22 X 1,5	
KAPAK BAĞLANTI ELEMAN SAYISI (A) Number Of Connection Elements on Each Side Length (A)	2 (120 mm.)	
KAPAK BAĞLANTI ELEMAN SAYISI (B) Number Of Connection Elements on Each Side Length (B)	1	
GÖVDE BAĞLANTI ELEMAN SAYISI (C) Number Of Connection Elements on Body (C)	1	
MALZEME Material	STEEL	



Özellikler; (Features)

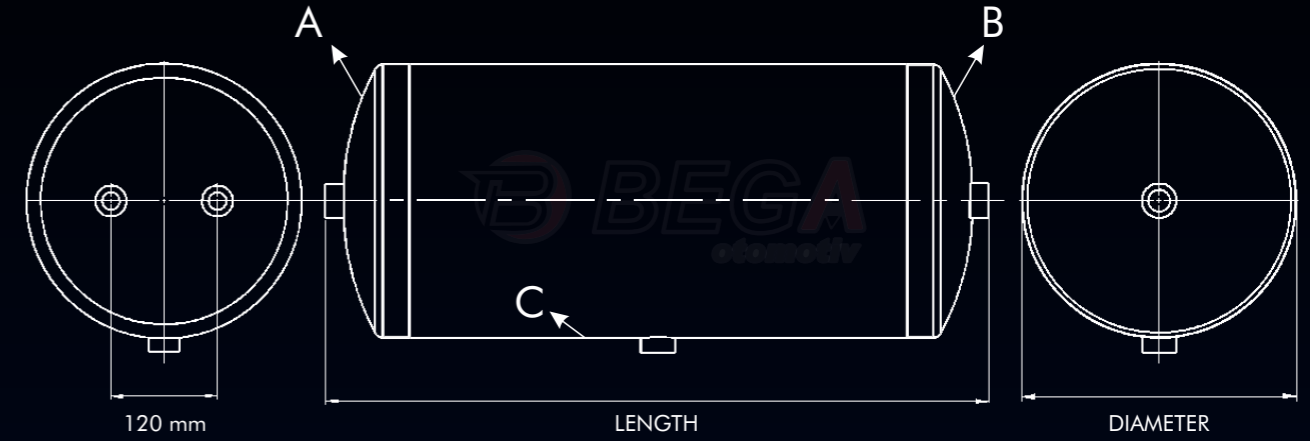
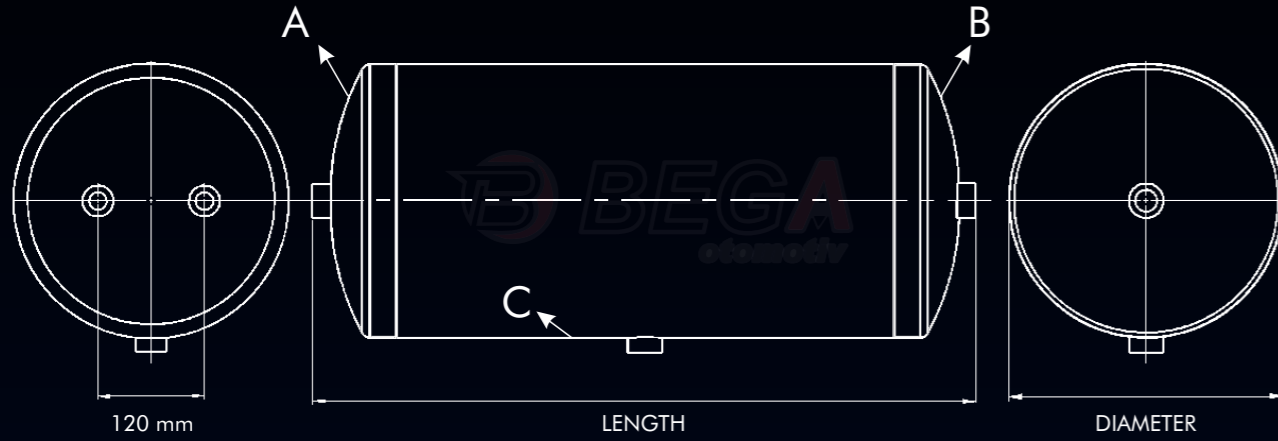
BEGA NUMARASI Bega No.	BG0515400	
ORJINAL NUMARASI Original No.	58 0154 5039	
PE NUMARASI PE No.	026.040-00A	
ÇAP (mm) Diameter (mm)	154	
HACİM (LİTRE) Capacity (Liter)	5	
TOPLAM UZUNLUK (mm.) Length (mm)	345	
MANŞON BAĞLANTISI Thread Connection	M22 X 1,5	
KAPAK BAĞLANTI ELEMAN SAYISI (A) Number Of Connection Elements on Each Side Length (A)	1	
KAPAK BAĞLANTI ELEMAN SAYISI (B) Number Of Connection Elements on Each Side Length (B)	1	
GÖVDE BAĞLANTI ELEMAN SAYISI (C) Number Of Connection Elements on Body (C)	0	
MALZEME Material	STEEL	



Özellikler; (Features)

BEGA NUMARASI Bega No.	BG0515401	
ORJINAL NUMARASI Original No.	59 4977 9739	
PE NUMARASI PE No.	026.041-00A	
ÇAP (mm) Diameter (mm)	154	
HACİM (LİTRE) Capacity (Liter)	5	
TOPLAM UZUNLUK (mm.) Length (mm)	345	
MANŞON BAĞLANTISI Thread Connection	M22 X 1,5	
KAPAK BAĞLANTI ELEMAN SAYISI (A) Number Of Connection Elements on Each Side Length (A)	1	
KAPAK BAĞLANTI ELEMAN SAYISI (B) Number Of Connection Elements on Each Side Length (B)	1	
GÖVDE BAĞLANTI ELEMAN SAYISI (C) Number Of Connection Elements on Body (C)	2	
MALZEME Material	STEEL	



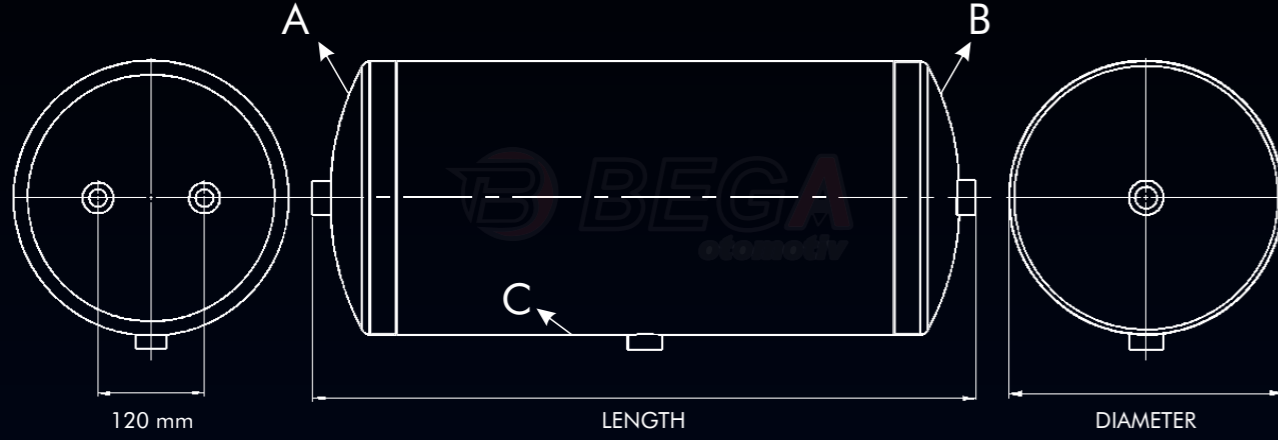


Özellikler; (Features)

BEGA NUMARASI Bega No.	BG1020605	
ORJINAL NUMARASI Original No.	59 4977 9739	
PE NUMARASI PE No.	026.042-00A	
ÇAP (mm) Diameter (mm)	206	
HACİM (LİTRE) Capacity (Liter)	10	
TOPLAM UZUNLUK (mm.) Length (mm)	366	
MANŞON BAĞLANTISI Thread Connection	M22 X 1,5	
KAPAK BAĞLANTI ELEMAN SAYISI (A) Number Of Connection Elements on Each Side Length (A)	2 (120 mm.)	
KAPAK BAĞLANTI ELEMAN SAYISI (B) Number Of Connection Elements on Each Side Length (B)	1	
GÖVDE BAĞLANTI ELEMAN SAYISI (C) Number Of Connection Elements on Body (C)	1	
MALZEME Material	STEEL	

Özellikler; (Features)

BEGA NUMARASI Bega No.	BG1520601	
ORJINAL NUMARASI Original No.	59 4978 0684	
PE NUMARASI PE No.	026.043-00A	
ÇAP (mm) Diameter (mm)	206	
HACİM (LİTRE) Capacity (Liter)	15	
TOPLAM UZUNLUK (mm.) Length (mm)	525	
MANŞON BAĞLANTISI Thread Connection	M22 X 1,5	
KAPAK BAĞLANTI ELEMAN SAYISI (A) Number Of Connection Elements on Each Side Length (A)	2 (120 mm.)	
KAPAK BAĞLANTI ELEMAN SAYISI (B) Number Of Connection Elements on Each Side Length (B)	1	
GÖVDE BAĞLANTI ELEMAN SAYISI (C) Number Of Connection Elements on Body (C)	1	
MALZEME Material	STEEL	



Özellikler; (Features)

BEGA NUMARASI Bega No.	BG2020602	
ORJINAL NUMARASI Original No.	59 4978 0685	
PE NUMARASI PE No.	026.044-00A	
ÇAP (mm) Diameter (mm)	206	
HACİM (LİTRE) Capacity (Liter)	20	
TOPLAM UZUNLUK (mm.) Length (mm)	684	
MANŞON BAĞLANTISI Thread Connection	M22 X 1,5	
KAPAK BAĞLANTI ELEMAN SAYISI (A) Number Of Connection Elements on Each Side Length (A)	2 (120 mm.)	
KAPAK BAĞLANTI ELEMAN SAYISI (B) Number Of Connection Elements on Each Side Length (B)	1	
GÖVDE BAĞLANTI ELEMAN SAYISI (C) Number Of Connection Elements on Body (C)	1	
MALZEME Material	STEEL	



Özellikler; (Features)

BEGA NUMARASI Bega No.	BG2024609	
ORJINAL NUMARASI Original No.	59 4977 9743	
PE NUMARASI PE No.	026.045-00A	
ÇAP (mm) Diameter (mm)	246	
HACİM (LİTRE) Capacity (Liter)	20	
TOPLAM UZUNLUK (mm.) Length (mm)		
MANŞON BAĞLANTISI Thread Connection	M22 X 1,5	
KAPAK BAĞLANTI ELEMAN SAYISI (A) Number Of Connection Elements on Each Side Length (A)	2 (120 mm.)	
KAPAK BAĞLANTI ELEMAN SAYISI (B) Number Of Connection Elements on Each Side Length (B)	1	
GÖVDE BAĞLANTI ELEMAN SAYISI (C) Number Of Connection Elements on Body (C)	1	
MALZEME Material	STEEL	





Özellikler; (Features)

BEGA NUMARASI Bega No.	BG2524602	
ORJINAL NUMARASI Original No.	58 0154 4994	
PE NUMARASI PE No.	026.046-00A	
ÇAP (mm) Diameter (mm)	246	
HACİM (LİTRE) Capacity (Liter)	25	
TOPLAM UZUNLUK (mm.) Length (mm)	610	
MANŞON BAĞLANTISI Thread Connection	M22 X 1,5	
KAPAK BAĞLANTI ELEMAN SAYISI (A) Number Of Connection Elements on Each Side Length (A)	2 (120 mm.)	
KAPAK BAĞLANTI ELEMAN SAYISI (B) Number Of Connection Elements on Each Side Length (B)	1	
GÖVDE BAĞLANTI ELEMAN SAYISI (C) Number Of Connection Elements on Body (C)	1	
MALZEME Material	STEEL	



Özellikler; (Features)

BEGA NUMARASI Bega No.	BG3024601	
ORJINAL NUMARASI Original No.	59 4977 9746	
PE NUMARASI PE No.	026.047-00A	
ÇAP (mm) Diameter (mm)	246	
HACİM (LİTRE) Capacity (Liter)	30	
TOPLAM UZUNLUK (mm.) Length (mm)		
MANŞON BAĞLANTISI Thread Connection	M22 X 1,5	
KAPAK BAĞLANTI ELEMAN SAYISI (A) Number Of Connection Elements on Each Side Length (A)	2 (120 mm.)	
KAPAK BAĞLANTI ELEMAN SAYISI (B) Number Of Connection Elements on Each Side Length (B)	1	
GÖVDE BAĞLANTI ELEMAN SAYISI (C) Number Of Connection Elements on Body (C)	1	
MALZEME Material	STEEL	





Özellikler; (Features)

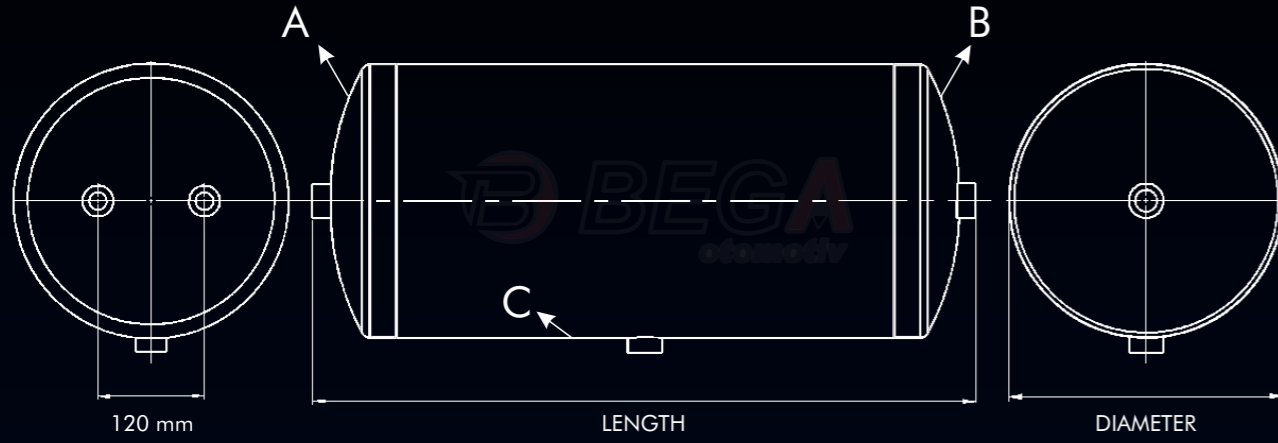
BEGA NUMARASI Bega No.	BG8039600	
ORJINAL NUMARASI Original No.	58 0154 5818	
PE NUMARASI PE No.	026.048-00A	
ÇAP (mm) Diameter (mm)	396	
HACİM (LİTRE) Capacity (Liter)	80	
TOPLAM UZUNLUK (mm.) Length (mm)	750	
MANŞON BAĞLANTISI Thread Connection	M22 X 1,5	
KAPAK BAĞLANTI ELEMAN SAYISI (A) Number Of Connection Elements on Each Side Length (A)	2 (120 mm.)	
KAPAK BAĞLANTI ELEMAN SAYISI (B) Number Of Connection Elements on Each Side Length (B)	1	
GÖVDE BAĞLANTI ELEMAN SAYISI (C) Number Of Connection Elements on Body (C)	1	
MALZEME Material	STEEL	



Özellikler; (Features)

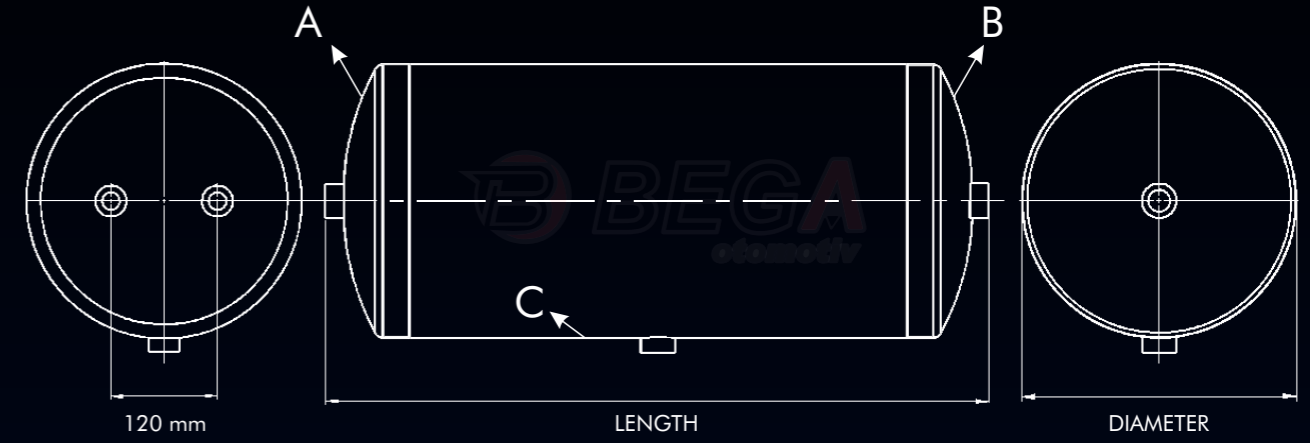
BEGA NUMARASI Bega No.	9841 2831	
ORJINAL NUMARASI Original No.	9841 2831	
PE NUMARASI PE No.	026.050-00A	
ÇAP (mm) Diameter (mm)	206	
HACİM (LİTRE) Capacity (Liter)	15	
TOPLAM UZUNLUK (mm.) Length (mm)	533	
MANŞON BAĞLANTISI Thread Connection	M22 X 1,5	
KAPAK BAĞLANTI ELEMAN SAYISI (A) Number Of Connection Elements on Each Side Length (A)	2 (120 mm.)	
KAPAK BAĞLANTI ELEMAN SAYISI (B) Number Of Connection Elements on Each Side Length (B)	1	
GÖVDE BAĞLANTI ELEMAN SAYISI (C) Number Of Connection Elements on Body (C)	1	
MALZEME Material	ALUMINIUM	





Özellikler; (Features)

BEGA NUMARASI Bega No.	
ORJINAL NUMARASI Original No.	9841 2834
PE NUMARASI PE No.	026.051-00A
ÇAP (mm) Diameter (mm)	246
HACİM (LİTRE) Capacity (Liter)	20
TOPLAM UZUNLUK (mm.) Length (mm)	500
MANŞON BAĞLANTISI Thread Connection	M22 X 1,5
KAPAK BAĞLANTI ELEMAN SAYISI (A) Number Of Connection Elements on Each Side Length (A)	2 (120 mm.)
KAPAK BAĞLANTI ELEMAN SAYISI (B) Number Of Connection Elements on Each Side Length (B)	1
GÖVDE BAĞLANTI ELEMAN SAYISI (C) Number Of Connection Elements on Body (C)	1
MALZEME Material	ALUMINIUM



Özellikler; (Features)

BEGA NUMARASI Bega No.	
ORJINAL NUMARASI Original No.	9841 2834
PE NUMARASI PE No.	026.052-00A
ÇAP (mm) Diameter (mm)	246
HACİM (LİTRE) Capacity (Liter)	30
TOPLAM UZUNLUK (mm.) Length (mm)	720
MANŞON BAĞLANTISI Thread Connection	M22 X 1,5
KAPAK BAĞLANTI ELEMAN SAYISI (A) Number Of Connection Elements on Each Side Length (A)	2 (120 mm.)
KAPAK BAĞLANTI ELEMAN SAYISI (B) Number Of Connection Elements on Each Side Length (B)	1
GÖVDE BAĞLANTI ELEMAN SAYISI (C) Number Of Connection Elements on Body (C)	1
MALZEME Material	ALUMINIUM





Özellikler; (Features)

BEGA NUMARASI Bega No.	BG1020600	
ORJINAL NUMARASI Original No.	81.51401.0144	
PE NUMARASI PE No.	036.052-00A	
ÇAP (mm) Diameter (mm)	206	
HACİM (LİTRE) Capacity (Liter)	10	
TOPLAM UZUNLUK (mm.) Length (mm)	335	
MANŞON BAĞLANTISI Thread Connection	M22 X 1,5	
KAPAK BAĞLANTI ELEMAN SAYISI (A) Number Of Connection Elements on Each Side Length (A)	2 (120 mm.)	
KAPAK BAĞLANTI ELEMAN SAYISI (B) Number Of Connection Elements on Each Side Length (B)	1	
GÖVDE BAĞLANTI ELEMAN SAYISI (C) Number Of Connection Elements on Body (C)	1	
MALZEME Material	STEEL	



Özellikler; (Features)

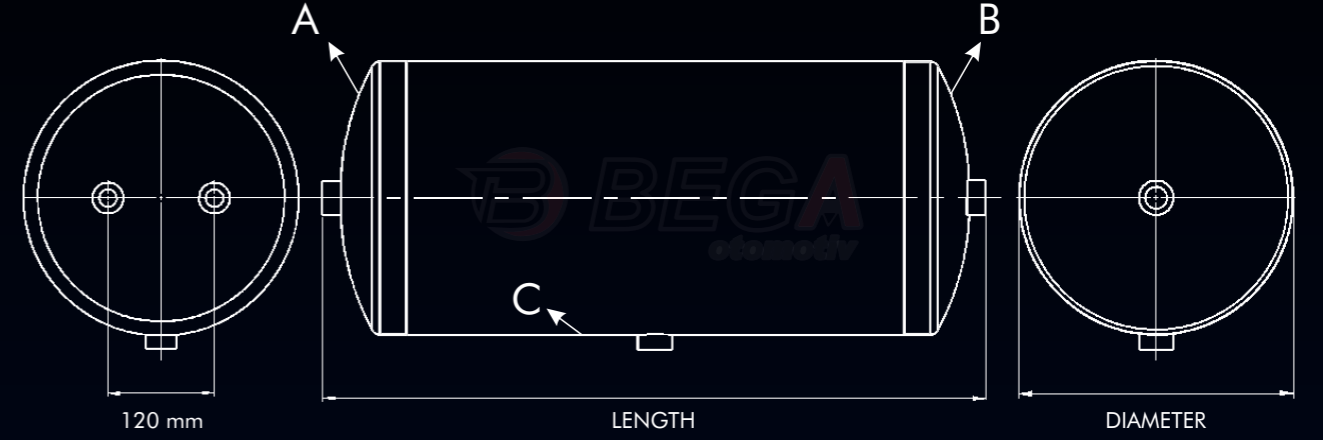
BEGA NUMARASI Bega No.	BG2024604	
ORJINAL NUMARASI Original No.	81.51401.0139	
PE NUMARASI PE No.	036.053-00A	
ÇAP (mm) Diameter (mm)	246	
HACİM (LİTRE) Capacity (Liter)	20	
TOPLAM UZUNLUK (mm.) Length (mm)	495	
MANŞON BAĞLANTISI Thread Connection	M22 X 1,5	
KAPAK BAĞLANTI ELEMAN SAYISI (A) Number Of Connection Elements on Each Side Length (A)	2 (120 mm.)	
KAPAK BAĞLANTI ELEMAN SAYISI (B) Number Of Connection Elements on Each Side Length (B)	1	
GÖVDE BAĞLANTI ELEMAN SAYISI (C) Number Of Connection Elements on Body (C)	1	
MALZEME Material	STEEL	





Özellikler;
(Features)

BEGA NUMARASI Bega No.	BG2524603	
ORJINAL NUMARASI Original No.	81.51401.0150	
PE NUMARASI PE No.	036.054-00A	
ÇAP (mm) Diameter (mm)	246	
HACİM (LİTRE) Capacity (Liter)	25	
TOPLAM UZUNLUK (mm.) Length (mm)	570	
MANŞON BAĞLANTISI Thread Connection	M22 X 1,5	
KAPAK BAĞLANTI ELEMAN SAYISI (A) Number Of Connection Elements on Each Side Length (A)	2 (120 mm.)	
KAPAK BAĞLANTI ELEMAN SAYISI (B) Number Of Connection Elements on Each Side Length (B)	1	
GÖVDE BAĞLANTI ELEMAN SAYISI (C) Number Of Connection Elements on Body (C)	1	
MALZEME Material	STEEL	



Özellikler;
(Features)

BEGA NUMARASI Bega No.	BG4027602	
ORJINAL NUMARASI Original No.	81.51401.0145	
PE NUMARASI PE No.	036.056-00A	
ÇAP (mm) Diameter (mm)	276	
HACİM (LİTRE) Capacity (Liter)	40	
TOPLAM UZUNLUK (mm.) Length (mm)	760	
MANŞON BAĞLANTISI Thread Connection	M22 X 1,5	
KAPAK BAĞLANTI ELEMAN SAYISI (A) Number Of Connection Elements on Each Side Length (A)	2 (120 mm.)	
KAPAK BAĞLANTI ELEMAN SAYISI (B) Number Of Connection Elements on Each Side Length (B)	1	
GÖVDE BAĞLANTI ELEMAN SAYISI (C) Number Of Connection Elements on Body (C)	1	
MALZEME Material	STEEL	





Özellikler;
(Features)

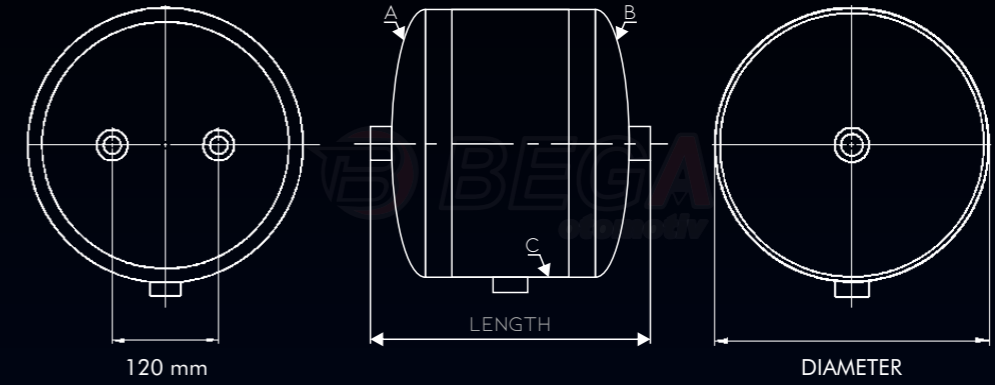
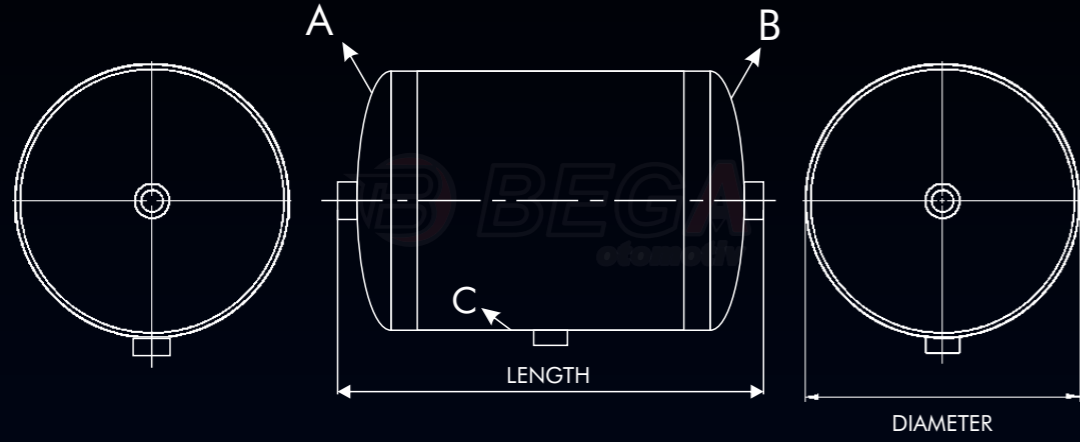
BEGA NUMARASI Bega No.	Bg4024602	
ORJINAL NUMARASI Original No.	81.51401.0142	
PE NUMARASI PE No.	036.057-00A	
ÇAP (mm) Diameter (mm)	246	
HACİM (LİTRE) Capacity (Liter)	40	
TOPLAM UZUNLUK (mm.) Length (mm)	927	
MANŞON BAĞLANTISI Thread Connection	M22 X 1,5	
KAPAK BAĞLANTI ELEMAN SAYISI (A) Number Of Connection Elements on Each Side Length (A)	2 (120 mm.)	
KAPAK BAĞLANTI ELEMAN SAYISI (B) Number Of Connection Elements on Each Side Length (B)	1	
GÖVDE BAĞLANTI ELEMAN SAYISI (C) Number Of Connection Elements on Body (C)	1	
MALZEME Material	STEEL	



Özellikler;
(Features)

BEGA NUMARASI Bega No.	BG0615400	
ORJINAL NUMARASI Original No.	81.51401.0196	
PE NUMARASI PE No.	036.350-00A	
ÇAP (mm) Diameter (mm)	154	
HACİM (LİTRE) Capacity (Liter)	6	
TOPLAM UZUNLUK (mm.) Length (mm)	416	
MANŞON BAĞLANTISI Thread Connection	M22 X 1,5	
KAPAK BAĞLANTI ELEMAN SAYISI (A) Number Of Connection Elements on Each Side Length (A)	1	
KAPAK BAĞLANTI ELEMAN SAYISI (B) Number Of Connection Elements on Each Side Length (B)	1	
GÖVDE BAĞLANTI ELEMAN SAYISI (C) Number Of Connection Elements on Body (C)	0	
MALZEME Material	STEEL	





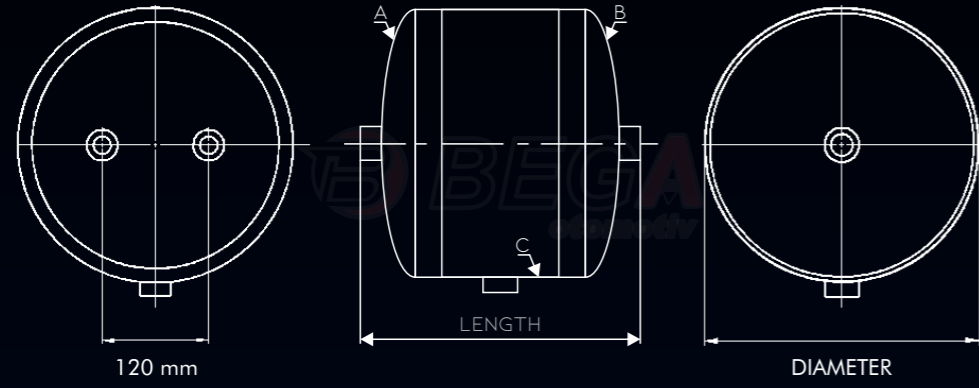
Özellikler; (Features)

Özellikler; (Features)

BEGA NUMARASI Bega No.	BG0415400	
ORJINAL NUMARASI Original No.	81.51401.0194	
PE NUMARASI PE No.	036.351-00A	
ÇAP (mm) Diameter (mm)	154	
HACİM (LİTRE) Capacity (Liter)	4	
TOPLAM UZUNLUK (mm.) Length (mm)	273	
MANŞON BAĞLANTISI Thread Connection	M22 X 1,5	
KAPAK BAĞLANTI ELEMAN SAYISI (A) Number Of Connection Elements on Each Side Length (A)	1	
KAPAK BAĞLANTI ELEMAN SAYISI (B) Number Of Connection Elements on Each Side Length (B)	0	
GÖVDE BAĞLANTI ELEMAN SAYISI (C) Number Of Connection Elements on Body (C)	1	
MALZEME Material	STEEL	

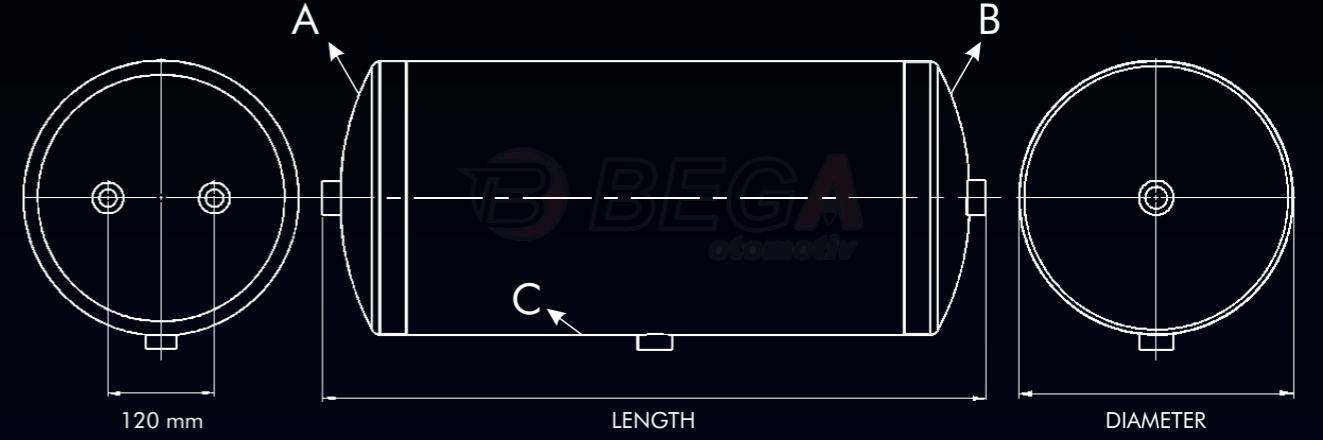
BEGA NUMARASI Bega No.	BG0620600	
ORJINAL NUMARASI Original No.	81.51401.0197	
PE NUMARASI PE No.	036.352-00A	
ÇAP (mm) Diameter (mm)	206	
HACİM (LİTRE) Capacity (Liter)	6	
TOPLAM UZUNLUK (mm.) Length (mm)	242	
MANŞON BAĞLANTISI Thread Connection	M22 X 1,5	
KAPAK BAĞLANTI ELEMAN SAYISI (A) Number Of Connection Elements on Each Side Length (A)	2 (120 mm.)	
KAPAK BAĞLANTI ELEMAN SAYISI (B) Number Of Connection Elements on Each Side Length (B)	1	
GÖVDE BAĞLANTI ELEMAN SAYISI (C) Number Of Connection Elements on Body (C)	1	
MALZEME Material	STEEL	





Özellikler;
(Features)

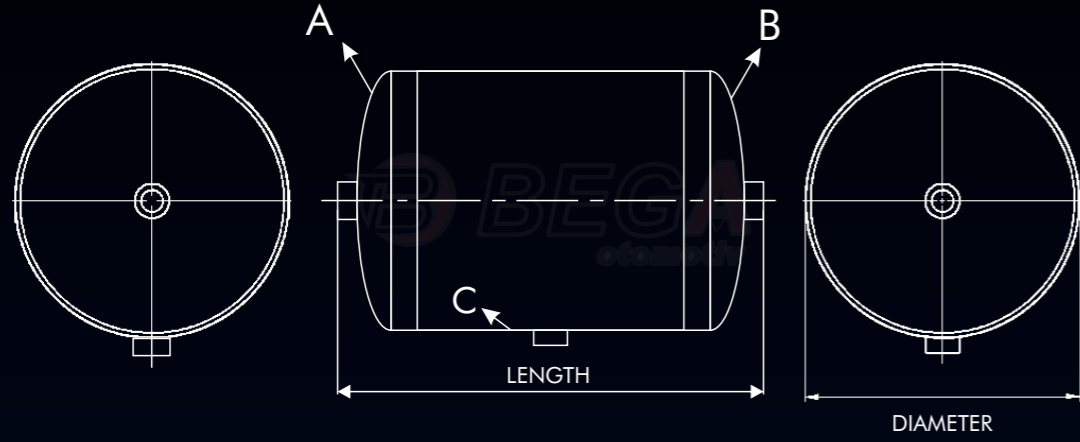
BEGA NUMARASI Bega No.	BG0820600	
ORJINAL NUMARASI Original No.	81.51401.6016	
PE NUMARASI PE No.	036.353-00A	
ÇAP (mm) Diameter (mm)	206	
HACİM (LİTRE) Capacity (Liter)	8	
TOPLAM UZUNLUK (mm.) Length (mm)	294	
MANŞON BAĞLANTISI Thread Connection	M22 X 1,5	
KAPAK BAĞLANTI ELEMAN SAYISI (A) Number Of Connection Elements on Each Side Length (A)	3 (120 mm.)	
KAPAK BAĞLANTI ELEMAN SAYISI (B) Number Of Connection Elements on Each Side Length (B)	0	
GÖVDE BAĞLANTI ELEMAN SAYISI (C) Number Of Connection Elements on Body (C)	1	
MALZEME Material	STEEL	



Özellikler;
(Features)

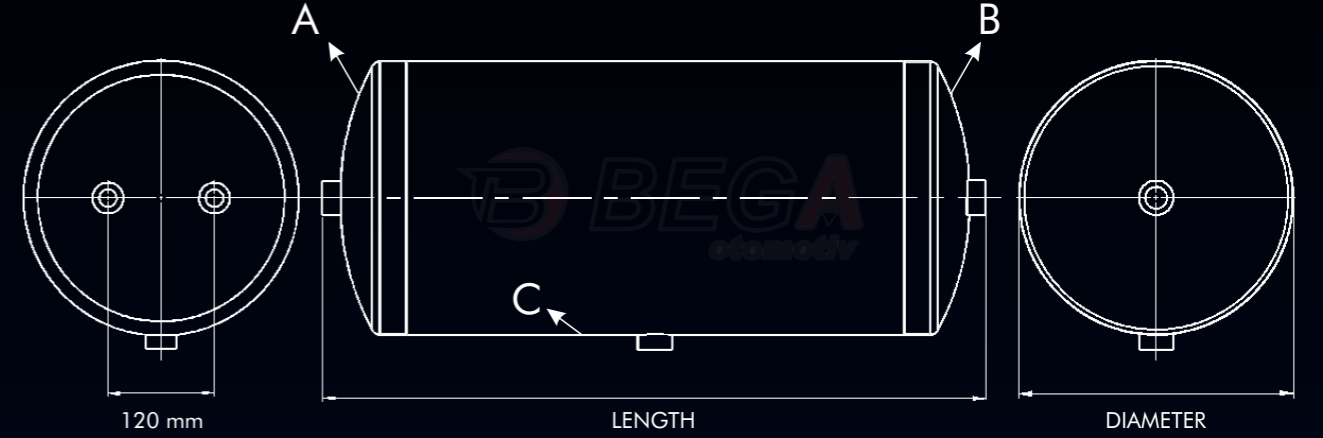
BEGA NUMARASI Bega No.	BG1020606	
ORJINAL NUMARASI Original No.	81.51401.0124	
PE NUMARASI PE No.	036.354-00A	
ÇAP (mm) Diameter (mm)	206	
HACİM (LİTRE) Capacity (Liter)	10	
TOPLAM UZUNLUK (mm.) Length (mm)	355	
MANŞON BAĞLANTISI Thread Connection	M22 X 1,5	
KAPAK BAĞLANTI ELEMAN SAYISI (A) Number Of Connection Elements on Each Side Length (A)	2 (120 mm.)	
KAPAK BAĞLANTI ELEMAN SAYISI (B) Number Of Connection Elements on Each Side Length (B)	1	
GÖVDE BAĞLANTI ELEMAN SAYISI (C) Number Of Connection Elements on Body (C)	1	
MALZEME Material	STEEL	





Özellikler;
(Features)

BEGA NUMARASI Bega No.	BG1024602	
ORJINAL NUMARASI Original No.	81.51401.0125	
PE NUMARASI PE No.	036.355-00A	
ÇAP (mm) Diameter (mm)	246	
HACİM (LİTRE) Capacity (Liter)	10	
TOPLAM UZUNLUK (mm.) Length (mm)	274	
MANŞON BAĞLANTISI Thread Connection	M22 X 1,5	
KAPAK BAĞLANTI ELEMAN SAYISI (A) Number Of Connection Elements on Each Side Length (A)	1	
KAPAK BAĞLANTI ELEMAN SAYISI (B) Number Of Connection Elements on Each Side Length (B)	0	
GÖVDE BAĞLANTI ELEMAN SAYISI (C) Number Of Connection Elements on Body (C)	1	
MALZEME Material	STEEL	



Özellikler;
(Features)

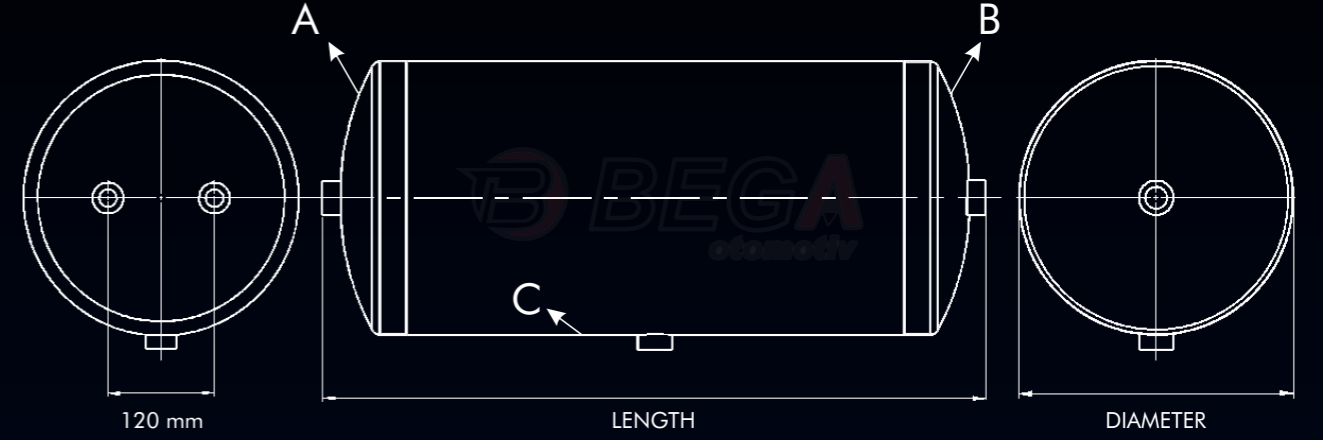
BEGA NUMARASI Bega No.	BG3020601	
ORJINAL NUMARASI Original No.	81.51401.0211	
PE NUMARASI PE No.	036.356-00A	
ÇAP (mm) Diameter (mm)	206	
HACİM (LİTRE) Capacity (Liter)	30	
TOPLAM UZUNLUK (mm.) Length (mm)	1000	
MANŞON BAĞLANTISI Thread Connection	M22 X 1,5	
KAPAK BAĞLANTI ELEMAN SAYISI (A) Number Of Connection Elements on Each Side Length (A)	2 (120 mm.)	
KAPAK BAĞLANTI ELEMAN SAYISI (B) Number Of Connection Elements on Each Side Length (B)	1	
GÖVDE BAĞLANTI ELEMAN SAYISI (C) Number Of Connection Elements on Body (C)	1	
MALZEME Material	STEEL	





Özellikler;
(Features)

BEGA NUMARASI Bega No.	BG2024605	
ORJINAL NUMARASI Original No.	81.51401.0207	
PE NUMARASI PE No.	036.357-00A	
ÇAP (mm) Diameter (mm)	246	
HACİM (LİTRE) Capacity (Liter)	20	
TOPLAM UZUNLUK (mm.) Length (mm)	498	
MANŞON BAĞLANTISI Thread Connection	M22 X 1,5	
KAPAK BAĞLANTI ELEMAN SAYISI (A) Number Of Connection Elements on Each Side Length (A)	2 (120 mm.)	
KAPAK BAĞLANTI ELEMAN SAYISI (B) Number Of Connection Elements on Each Side Length (B)	1	
GÖVDE BAĞLANTI ELEMAN SAYISI (C) Number Of Connection Elements on Body (C)	1	
MALZEME Material	STEEL	



Özellikler;
(Features)

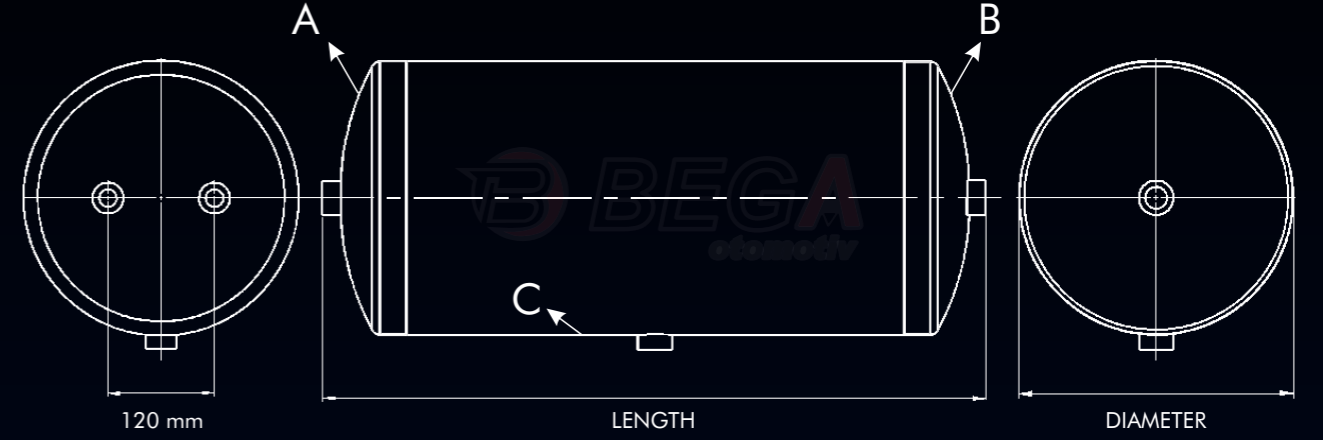
BEGA NUMARASI Bega No.	BG2524604	
ORJINAL NUMARASI Original No.	81.51401.0209	
PE NUMARASI PE No.	036.358-00A	
ÇAP (mm) Diameter (mm)	246	
HACİM (LİTRE) Capacity (Liter)	25	
TOPLAM UZUNLUK (mm.) Length (mm)	590,5	
MANŞON BAĞLANTISI Thread Connection	M22 X 1,5	
KAPAK BAĞLANTI ELEMAN SAYISI (A) Number Of Connection Elements on Each Side Length (A)	2 (120 mm.)	
KAPAK BAĞLANTI ELEMAN SAYISI (B) Number Of Connection Elements on Each Side Length (B)	1	
GÖVDE BAĞLANTI ELEMAN SAYISI (C) Number Of Connection Elements on Body (C)	1	
MALZEME Material	STEEL	





Özellikler; (Features)

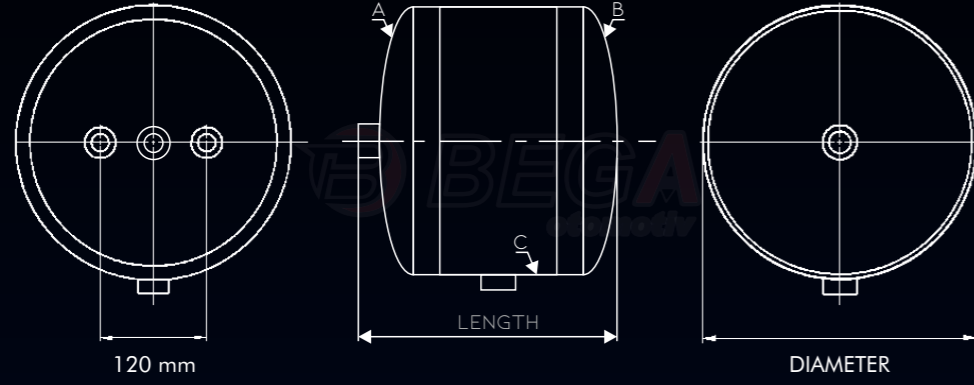
BEGA NUMARASI Bega No.	BG3024602	
ORJINAL NUMARASI Original No.	81.51401.0212	
PE NUMARASI PE No.	036.359-00A	
ÇAP (mm) Diameter (mm)	246	
HACİM (LİTRE) Capacity (Liter)	30	
TOPLAM UZUNLUK (mm.) Length (mm)	716	
MANŞON BAĞLANTISI Thread Connection	M22 X 1,5	
KAPAK BAĞLANTI ELEMAN SAYISI (A) Number Of Connection Elements on Each Side Length (A)	2 (120 mm.)	
KAPAK BAĞLANTI ELEMAN SAYISI (B) Number Of Connection Elements on Each Side Length (B)	1	
GÖVDE BAĞLANTI ELEMAN SAYISI (C) Number Of Connection Elements on Body (C)	1	
MALZEME Material	STEEL	



Özellikler; (Features)

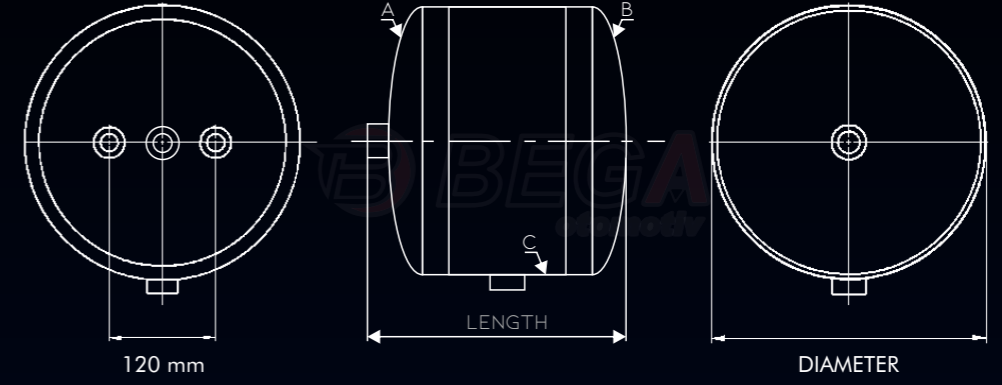
BEGA NUMARASI Bega No.	BG3024603	
ORJINAL NUMARASI Original No.	81.51401.0133	
PE NUMARASI PE No.	036.360-00A	
ÇAP (mm) Diameter (mm)	246	
HACİM (LİTRE) Capacity (Liter)	30	
TOPLAM UZUNLUK (mm.) Length (mm)	730	
MANŞON BAĞLANTISI Thread Connection	M22 X 1,5	
KAPAK BAĞLANTI ELEMAN SAYISI (A) Number Of Connection Elements on Each Side Length (A)	2 (120 mm.)	
KAPAK BAĞLANTI ELEMAN SAYISI (B) Number Of Connection Elements on Each Side Length (B)	1	
GÖVDE BAĞLANTI ELEMAN SAYISI (C) Number Of Connection Elements on Body (C)	1	
MALZEME Material	STEEL	





Özellikler;
(Features)

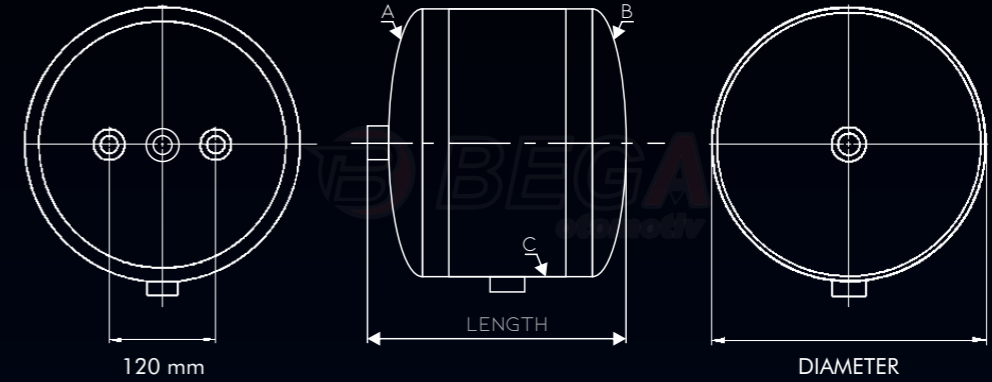
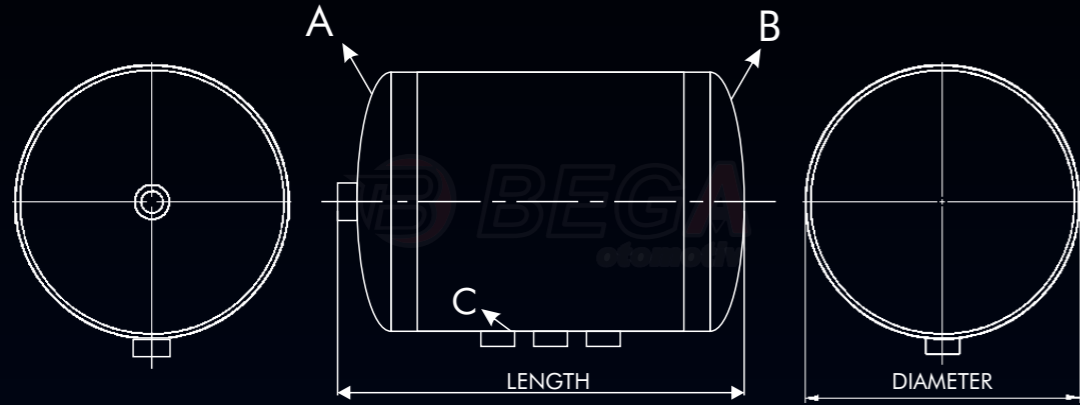
BEGA NUMARASI Bega No.	BG2020603	
ORJINAL NUMARASI Original No.	81.51401.0238	
PE NUMARASI PE No.	036.361-00A	
ÇAP (mm) Diameter (mm)	310	
HACİM (LİTRE) Capacity (Liter)	20	
TOPLAM UZUNLUK (mm.) Length (mm)	324	
MANŞON BAĞLANTISI Thread Connection	M22 X 1,5	
KAPAK BAĞLANTI ELEMAN SAYISI (A) Number Of Connection Elements on Each Side Length (A)	3 (120 mm.)	
KAPAK BAĞLANTI ELEMAN SAYISI (B) Number Of Connection Elements on Each Side Length (B)	0	
GÖVDE BAĞLANTI ELEMAN SAYISI (C) Number Of Connection Elements on Body (C)	1	
MALZEME Material	STEEL	



Özellikler;
(Features)

BEGA NUMARASI Bega No.	BG3031000	
ORJINAL NUMARASI Original No.	81.51401.0180	
PE NUMARASI PE No.	036.362-00A	
ÇAP (mm) Diameter (mm)	310	
HACİM (LİTRE) Capacity (Liter)	30	
TOPLAM UZUNLUK (mm.) Length (mm)	462	
MANŞON BAĞLANTISI Thread Connection	M22 X 1,5	
KAPAK BAĞLANTI ELEMAN SAYISI (A) Number Of Connection Elements on Each Side Length (A)	3 (120 mm.)	
KAPAK BAĞLANTI ELEMAN SAYISI (B) Number Of Connection Elements on Each Side Length (B)	0	
GÖVDE BAĞLANTI ELEMAN SAYISI (C) Number Of Connection Elements on Body (C)	1	
MALZEME Material	STEEL	



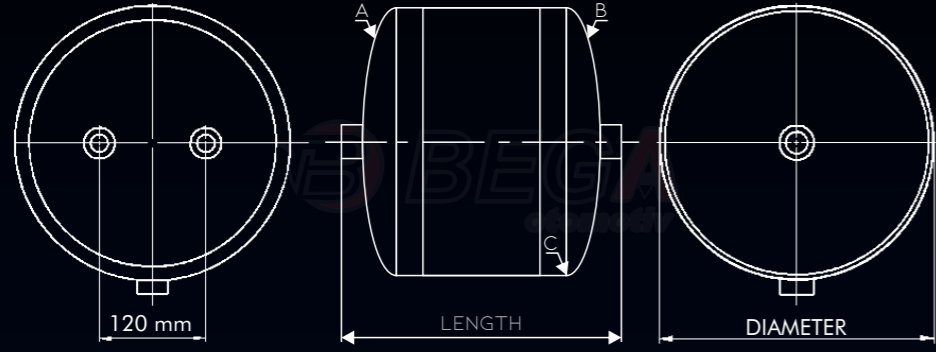


Özellikler; (Features)

BEGA NUMARASI Bega No.	BG3531000	
ORJINAL NUMARASI Original No.	81.51401.6038	
PE NUMARASI PE No.	036.363-00A	
ÇAP (mm) Diameter (mm)	310	
HACİM (LİTRE) Capacity (Liter)	35	
TOPLAM UZUNLUK (mm.) Length (mm)	529	
MANŞON BAĞLANTISI Thread Connection	M22 X 1,5	
KAPAK BAĞLANTI ELEMAN SAYISI (A) Number Of Connection Elements on Each Side Length (A)	1	
KAPAK BAĞLANTI ELEMAN SAYISI (B) Number Of Connection Elements on Each Side Length (B)	0	
GÖVDE BAĞLANTI ELEMAN SAYISI (C) Number Of Connection Elements on Body (C)	3	
MALZEME Material	STEEL	

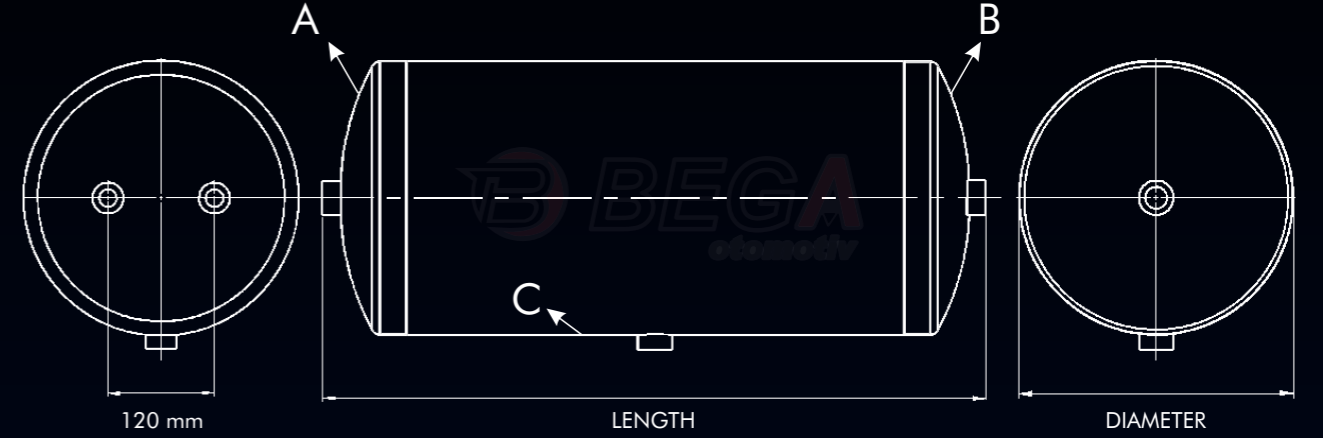
Özellikler; (Features)

BEGA NUMARASI Bega No.	BG3531001	
ORJINAL NUMARASI Original No.	81.51401.6014	
PE NUMARASI PE No.	036.364-00A	
ÇAP (mm) Diameter (mm)	310	
HACİM (LİTRE) Capacity (Liter)	35	
TOPLAM UZUNLUK (mm.) Length (mm)	529	
MANŞON BAĞLANTISI Thread Connection	M22 X 1,5	
KAPAK BAĞLANTI ELEMAN SAYISI (A) Number Of Connection Elements on Each Side Length (A)	3 (120 mm.)	
KAPAK BAĞLANTI ELEMAN SAYISI (B) Number Of Connection Elements on Each Side Length (B)	0	
GÖVDE BAĞLANTI ELEMAN SAYISI (C) Number Of Connection Elements on Body (C)	1	
MALZEME Material	STEEL	



Özellikler;
(Features)

BEGA NUMARASI Bega No.	BG3039600	
ORJINAL NUMARASI Original No.	81.51401.0242	
PE NUMARASI PE No.	036.365-00A	
ÇAP (mm) Diameter (mm)	396	
HACİM (LİTRE) Capacity (Liter)	30	
TOPLAM UZUNLUK (mm.) Length (mm)	349	
MANŞON BAĞLANTISI Thread Connection	M22 X 1,5	
KAPAK BAĞLANTI ELEMAN SAYISI (A) Number Of Connection Elements on Each Side Length (A)	2 (120 mm.)	
KAPAK BAĞLANTI ELEMAN SAYISI (B) Number Of Connection Elements on Each Side Length (B)	1	
GÖVDE BAĞLANTI ELEMAN SAYISI (C) Number Of Connection Elements on Body (C)	0	
MALZEME Material	STEEL	



Özellikler;
(Features)

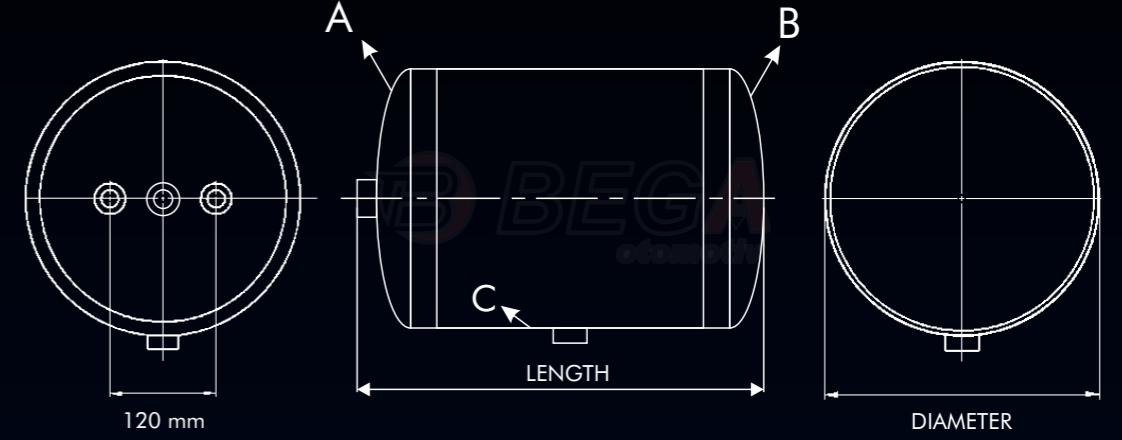
BEGA NUMARASI Bega No.	BG4020600	
ORJINAL NUMARASI Original No.	81.51401.0213	
PE NUMARASI PE No.	036.366-00A	
ÇAP (mm) Diameter (mm)	206	
HACİM (LİTRE) Capacity (Liter)	40	
TOPLAM UZUNLUK (mm.) Length (mm)	1304	
MANŞON BAĞLANTISI Thread Connection	M22 X 1,5	
KAPAK BAĞLANTI ELEMAN SAYISI (A) Number Of Connection Elements on Each Side Length (A)	2 (120 mm.)	
KAPAK BAĞLANTI ELEMAN SAYISI (B) Number Of Connection Elements on Each Side Length (B)	1	
GÖVDE BAĞLANTI ELEMAN SAYISI (C) Number Of Connection Elements on Body (C)	1	
MALZEME Material	STEEL	





Özellikler; (Features)

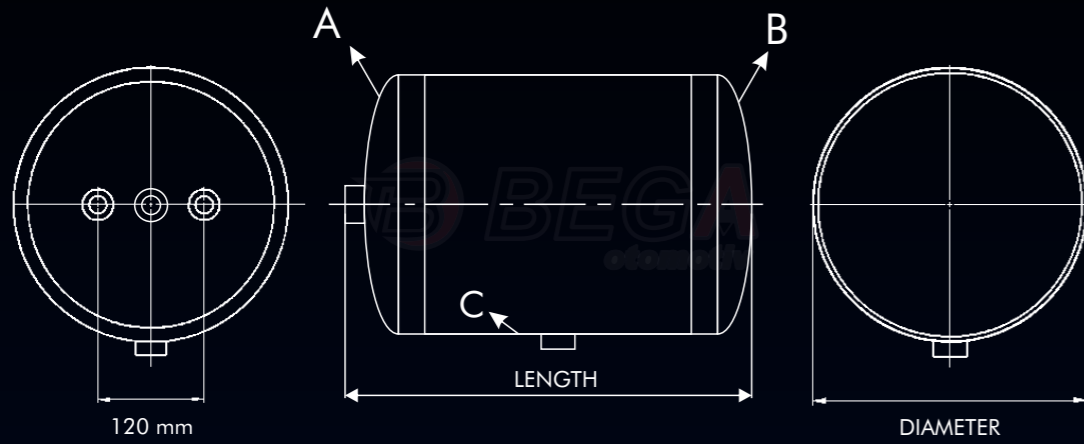
BEGA NUMARASI Bega No.	BG4024603	
ORJINAL NUMARASI Original No.	81.51401.0214	
PE NUMARASI PE No.	036.367-00A	
ÇAP (mm) Diameter (mm)	246	
HACİM (LİTRE) Capacity (Liter)	40	
TOPLAM UZUNLUK (mm.) Length (mm)	934	
MANŞON BAĞLANTISI Thread Connection	M22 X 1,5	
KAPAK BAĞLANTI ELEMAN SAYISI (A) Number Of Connection Elements on Each Side Length (A)	2 (120 mm.)	
KAPAK BAĞLANTI ELEMAN SAYISI (B) Number Of Connection Elements on Each Side Length (B)	1	
GÖVDE BAĞLANTI ELEMAN SAYISI (C) Number Of Connection Elements on Body (C)	1	
MALZEME Material	STEEL	



Özellikler; (Features)

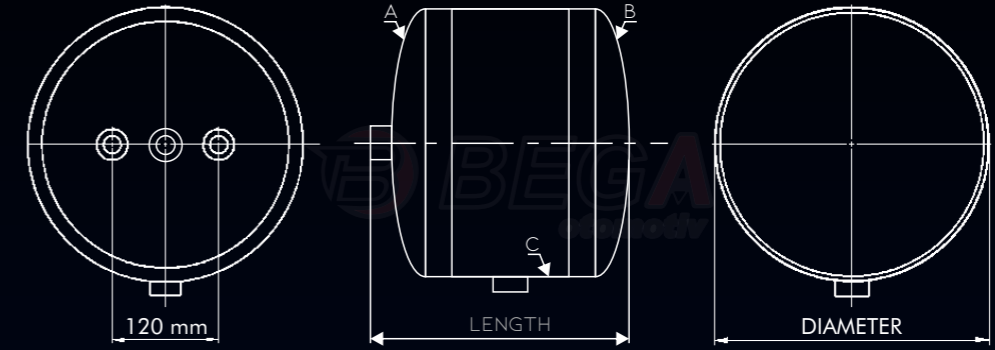
BEGA NUMARASI Bega No.	BG4031000	
ORJINAL NUMARASI Original No.	81.51401.0182	
PE NUMARASI PE No.	036.368-00A	
ÇAP (mm) Diameter (mm)	310	
HACİM (LİTRE) Capacity (Liter)	40	
TOPLAM UZUNLUK (mm.) Length (mm)	605	
MANŞON BAĞLANTISI Thread Connection	M22 X 1,5	
KAPAK BAĞLANTI ELEMAN SAYISI (A) Number Of Connection Elements on Each Side Length (A)	3 (120 mm.)	
KAPAK BAĞLANTI ELEMAN SAYISI (B) Number Of Connection Elements on Each Side Length (B)	0	
GÖVDE BAĞLANTI ELEMAN SAYISI (C) Number Of Connection Elements on Body (C)	1	
MALZEME Material	STEEL	





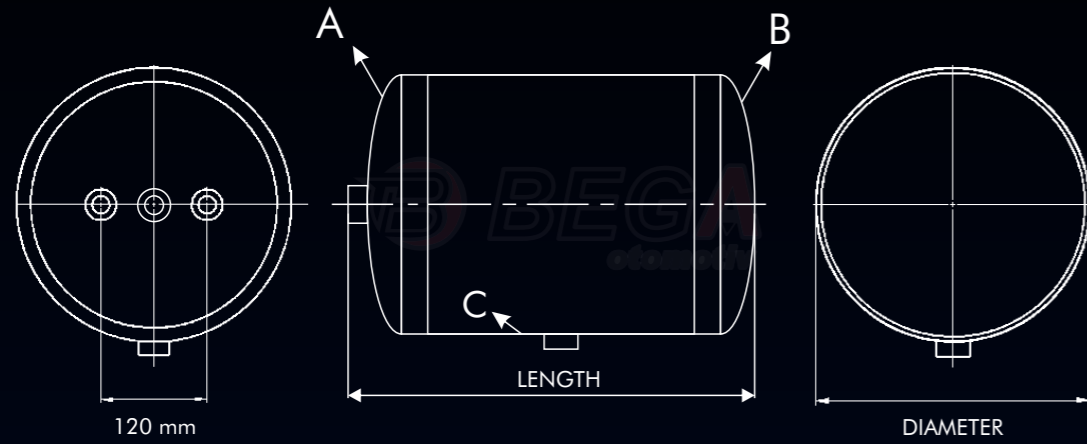
Özellikler; (Features)

BEGA NUMARASI Bega No.		
ORJINAL NUMARASI Original No.	81.51401.6024	
PE NUMARASI PE No.	036.369-00A	
ÇAP (mm) Diameter (mm)	206	
HACİM (LİTRE) Capacity (Liter)	8	
TOPLAM UZUNLUK (mm.) Length (mm)	294	
MANŞON BAĞLANTISI Thread Connection	M22 X 1,5	
KAPAK BAĞLANTI ELEMAN SAYISI (A) Number Of Connection Elements on Each Side Length (A)	3 (120 mm.)	
KAPAK BAĞLANTI ELEMAN SAYISI (B) Number Of Connection Elements on Each Side Length (B)	0	
GÖVDE BAĞLANTI ELEMAN SAYISI (C) Number Of Connection Elements on Body (C)	1	
MALZEME Material	STEEL	



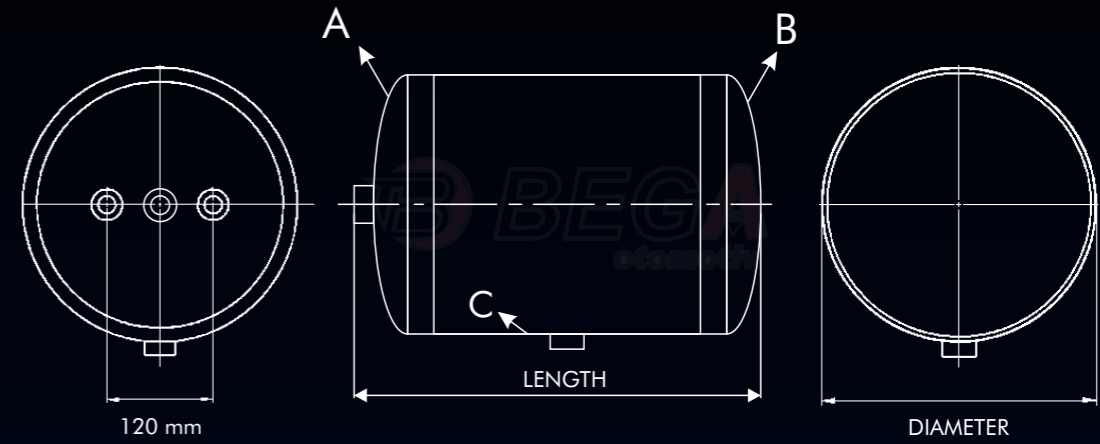
Özellikler; (Features)

BEGA NUMARASI Bega No.		
ORJINAL NUMARASI Original No.	81.51401.6031	
PE NUMARASI PE No.	036.370-00A	
ÇAP (mm) Diameter (mm)	310	
HACİM (LİTRE) Capacity (Liter)	20	
TOPLAM UZUNLUK (mm.) Length (mm)	340	
MANŞON BAĞLANTISI Thread Connection	M22 X 1,5	
KAPAK BAĞLANTI ELEMAN SAYISI (A) Number Of Connection Elements on Each Side Length (A)	3 (120 mm.)	
KAPAK BAĞLANTI ELEMAN SAYISI (B) Number Of Connection Elements on Each Side Length (B)	0	
GÖVDE BAĞLANTI ELEMAN SAYISI (C) Number Of Connection Elements on Body (C)	1	
MALZEME Material	ALUMINIUM	



Özellikler; (Features)

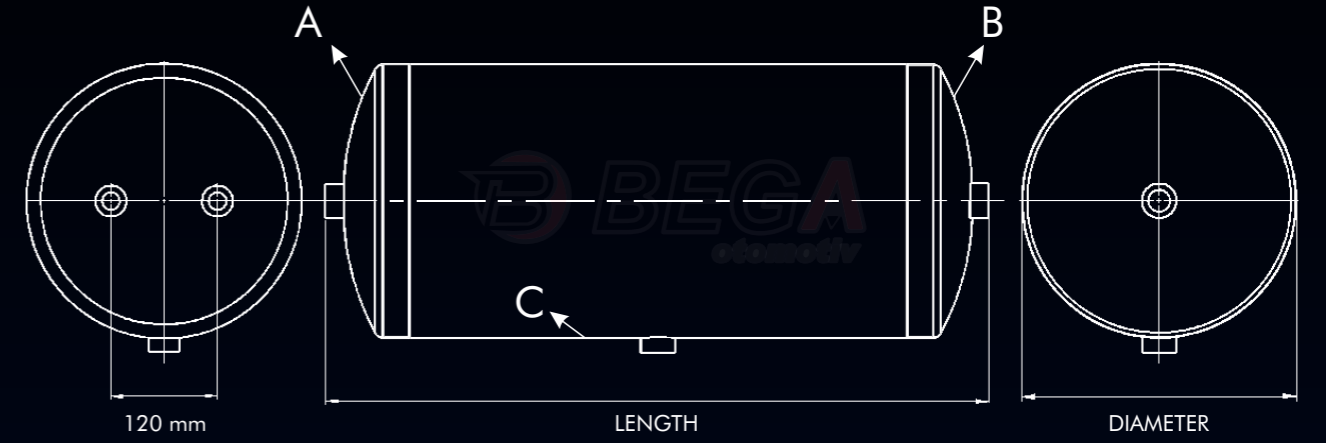
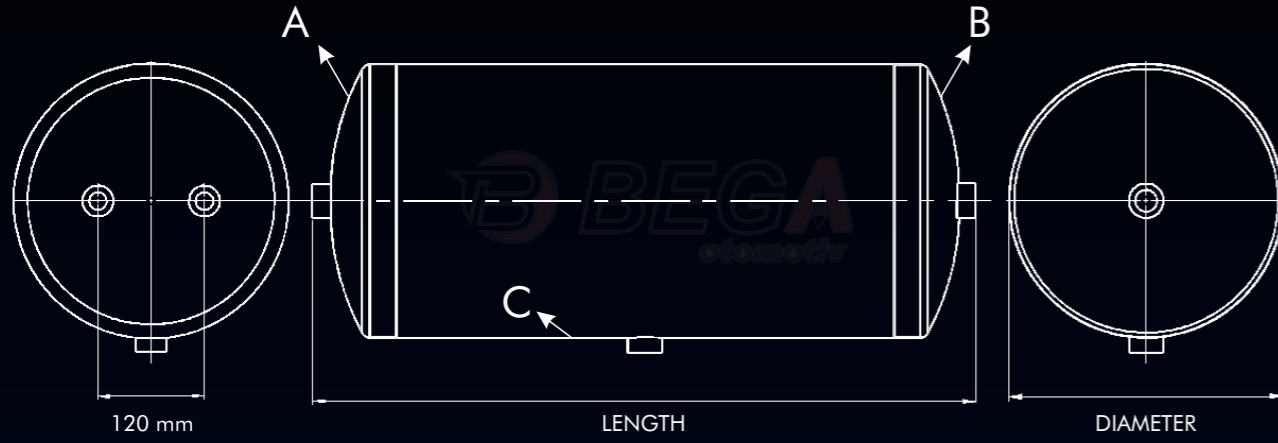
BEGA NUMARASI Bega No.		
ORJINAL NUMARASI Original No.	81.51401.6021	
PE NUMARASI PE No.	036.371-00A	
ÇAP (mm) Diameter (mm)	310	
HACİM (LİTRE) Capacity (Liter)	30	
TOPLAM UZUNLUK (mm.) Length (mm)	462	
MANŞON BAĞLANTISI Thread Connection	M22 X 1,5	
KAPAK BAĞLANTI ELEMAN SAYISI (A) Number Of Connection Elements on Each Side Length (A)	3 (120 mm.)	
KAPAK BAĞLANTI ELEMAN SAYISI (B) Number Of Connection Elements on Each Side Length (B)	0	
GÖVDE BAĞLANTI ELEMAN SAYISI (C) Number Of Connection Elements on Body (C)	1	
MALZEME Material	ALUMINIUM	



Özellikler; (Features)

BEGA NUMARASI Bega No.		
ORJINAL NUMARASI Original No.	81.51401.0247	
PE NUMARASI PE No.	036.372-00A	
ÇAP (mm) Diameter (mm)	310	
HACİM (LİTRE) Capacity (Liter)	30	
TOPLAM UZUNLUK (mm.) Length (mm)	605	
MANŞON BAĞLANTISI Thread Connection	M22 X 1,5	
KAPAK BAĞLANTI ELEMAN SAYISI (A) Number Of Connection Elements on Each Side Length (A)	3 (120 mm.)	
KAPAK BAĞLANTI ELEMAN SAYISI (B) Number Of Connection Elements on Each Side Length (B)	0	
GÖVDE BAĞLANTI ELEMAN SAYISI (C) Number Of Connection Elements on Body (C)	1	
MALZEME Material	ALUMINIUM	



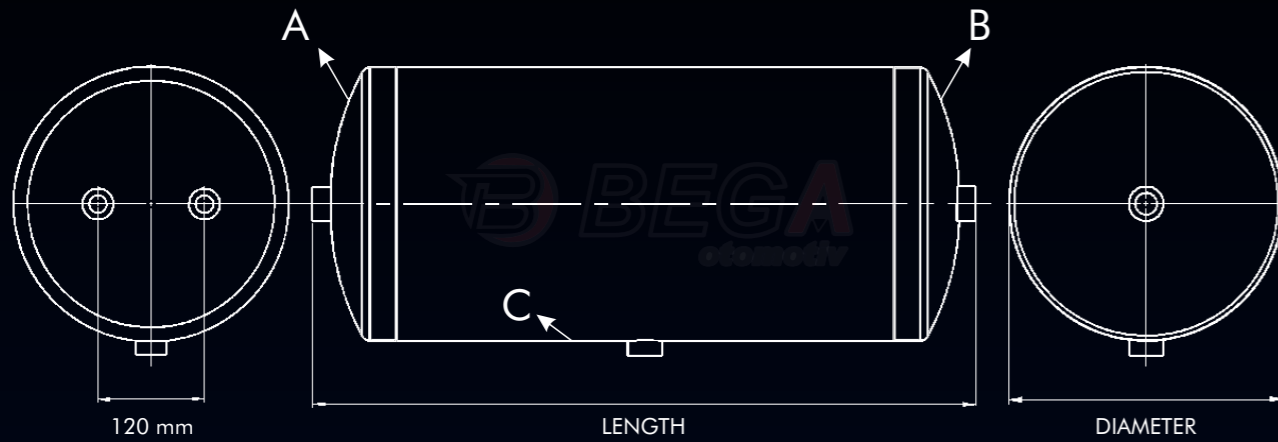


Özellikler;
(Features)

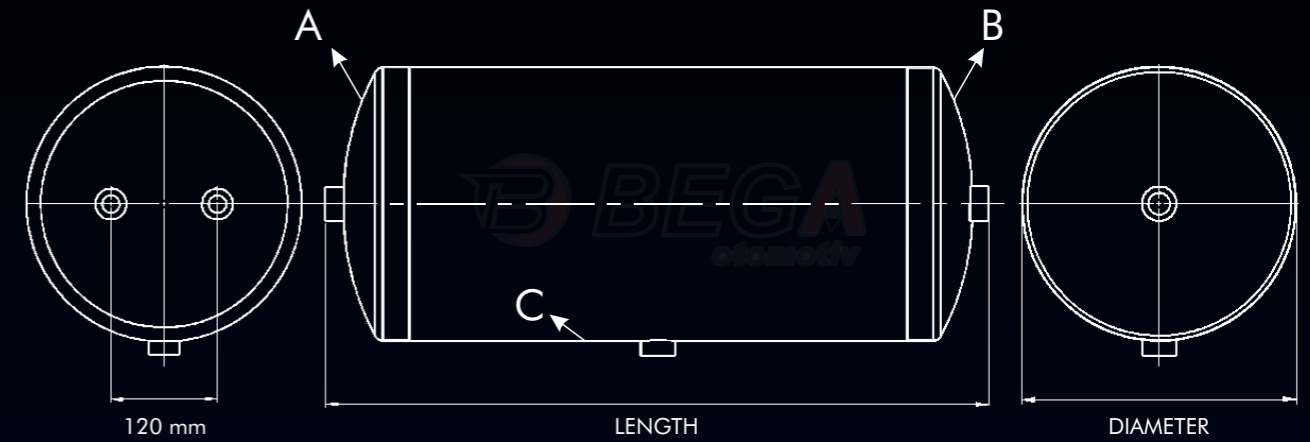
Özellikler;
(Features)

BEGA NUMARASI Bega No.	BG2020604	
ORJINAL NUMARASI Original No.	81.51401.0202	
PE NUMARASI PE No.	036.373-00A	
ÇAP (mm) Diameter (mm)	206	
HACİM (LİTRE) Capacity (Liter)	20	
TOPLAM UZUNLUK (mm.) Length (mm)	674	
MANŞON BAĞLANTISI Thread Connection	M22 X 1,5	
KAPAK BAĞLANTI ELEMAN SAYISI (A) Number Of Connection Elements on Each Side Length (A)	2 (120 mm.)	
KAPAK BAĞLANTI ELEMAN SAYISI (B) Number Of Connection Elements on Each Side Length (B)	1	
GÖVDE BAĞLANTI ELEMAN SAYISI (C) Number Of Connection Elements on Body (C)	1	
MALZEME Material	STEEL	

BEGA NUMARASI Bega No.	BG2027600	
ORJINAL NUMARASI Original No.	003 432 14 01	
PE NUMARASI PE No.	016.223-00A	
ÇAP (mm) Diameter (mm)	276	
HACİM (LİTRE) Capacity (Liter)	20	
TOPLAM UZUNLUK (mm.) Length (mm)	390	
MANŞON BAĞLANTISI Thread Connection	M22 X 1,5	
KAPAK BAĞLANTI ELEMAN SAYISI (A) Number Of Connection Elements on Each Side Length (A)	2 (120 mm.)	
KAPAK BAĞLANTI ELEMAN SAYISI (B) Number Of Connection Elements on Each Side Length (B)	1	
GÖVDE BAĞLANTI ELEMAN SAYISI (C) Number Of Connection Elements on Body (C)	1	
MALZEME Material	STEEL	

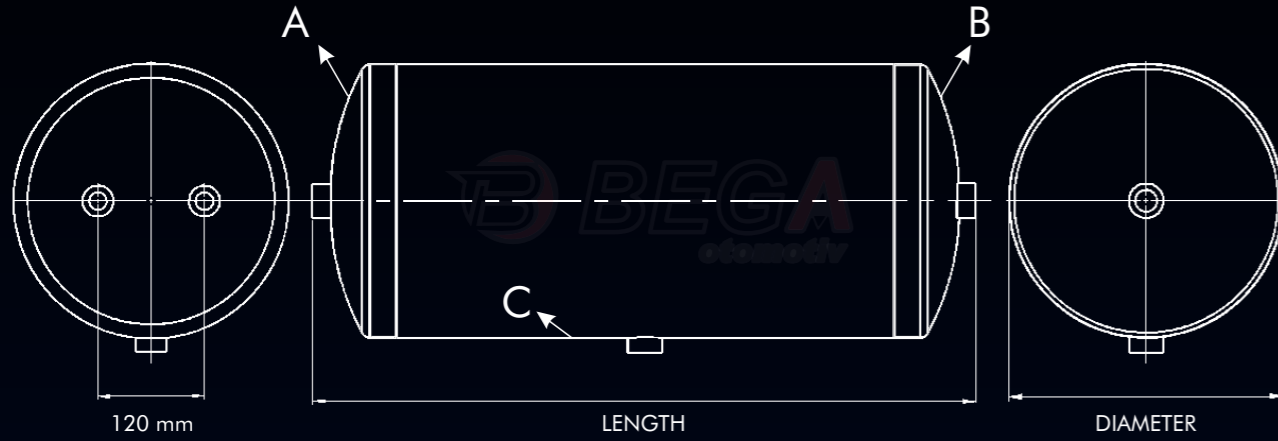

Özellikler;
(Features)

BEGA NUMARASI Bega No.	BG3027601	
ORJINAL NUMARASI Original No.	000 432 88 01	
PE NUMARASI PE No.	016.224-00A	
ÇAP (mm) Diameter (mm)	276	
HACİM (LİTRE) Capacity (Liter)	30	
TOPLAM UZUNLUK (mm.) Length (mm)	570	
MANŞON BAĞLANTISI Thread Connection	M22 X 1,5	
KAPAK BAĞLANTI ELEMAN SAYISI (A) Number Of Connection Elements on Each Side Length (A)	2 (120 mm.)	
KAPAK BAĞLANTI ELEMAN SAYISI (B) Number Of Connection Elements on Each Side Length (B)	1	
GÖVDE BAĞLANTI ELEMAN SAYISI (C) Number Of Connection Elements on Body (C)	1	
MALZEME Material	STEEL	

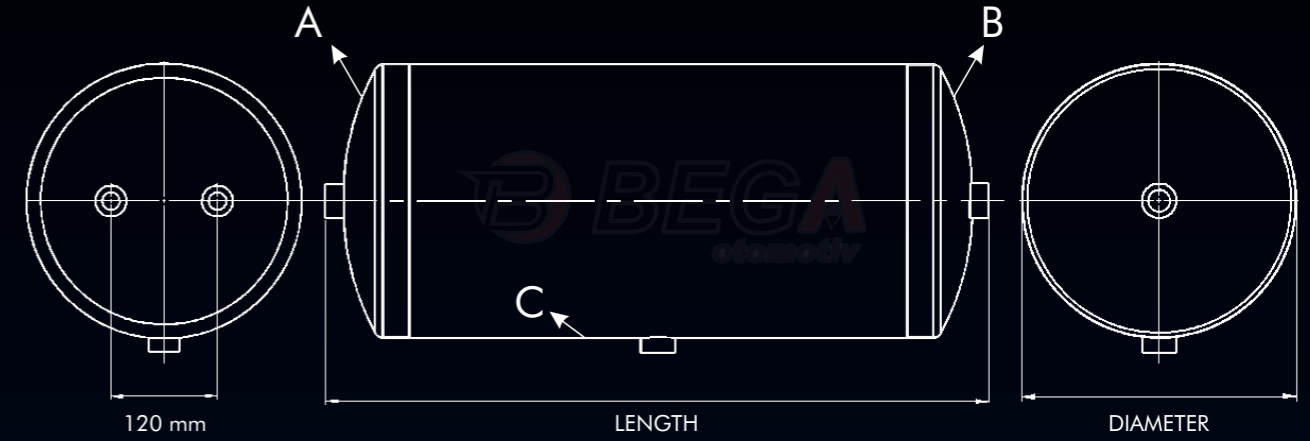

Özellikler;
(Features)

BEGA NUMARASI Bega No.	BG2024600	
ORJINAL NUMARASI Original No.	003 432 12 01	
PE NUMARASI PE No.	016.229-00A	
ÇAP (mm) Diameter (mm)	246	
HACİM (LİTRE) Capacity (Liter)	20	
TOPLAM UZUNLUK (mm.) Length (mm)	500	
MANŞON BAĞLANTISI Thread Connection	M22 X 1,5	
KAPAK BAĞLANTI ELEMAN SAYISI (A) Number Of Connection Elements on Each Side Length (A)	2 (120 mm.)	
KAPAK BAĞLANTI ELEMAN SAYISI (B) Number Of Connection Elements on Each Side Length (B)	1	
GÖVDE BAĞLANTI ELEMAN SAYISI (C) Number Of Connection Elements on Body (C)	1	
MALZEME Material	STEEL	



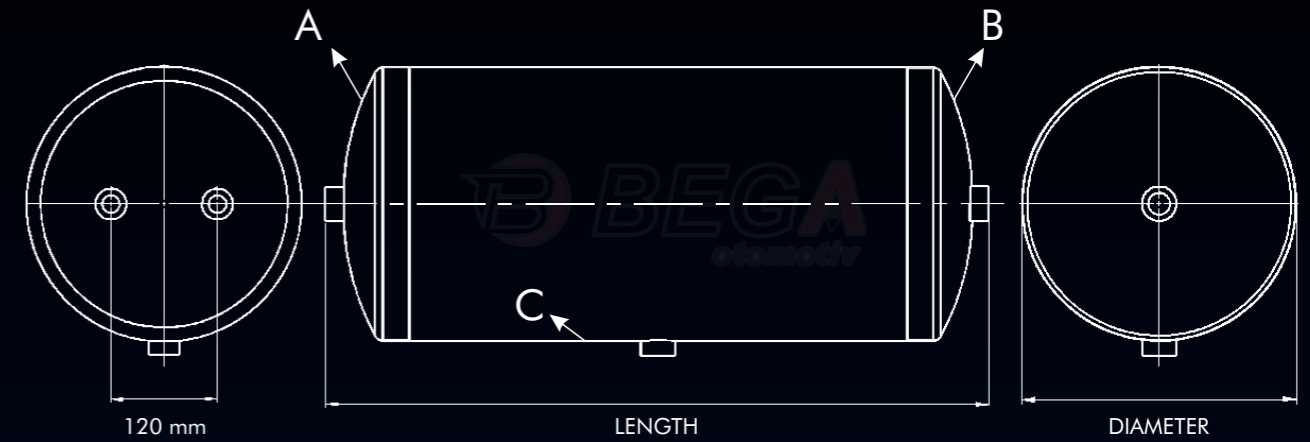
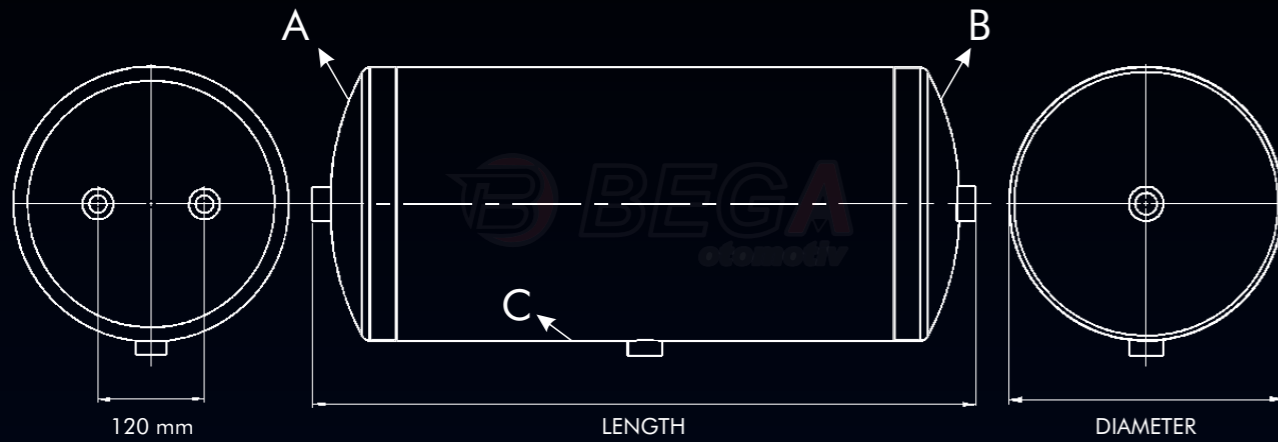

Özellikler;
(Features)

BEGA NUMARASI Bega No.	BG1020600	
ORJINAL NUMARASI Original No.	003 432 31 01	
PE NUMARASI PE No.	016.230-00A	
ÇAP (mm) Diameter (mm)	206	
HACİM (LİTRE) Capacity (Liter)	10	
TOPLAM UZUNLUK (mm.) Length (mm)	335	
MANŞON BAĞLANTISI Thread Connection	M22 X 1,5	
KAPAK BAĞLANTI ELEMAN SAYISI (A) Number Of Connection Elements on Each Side Length (A)	2 (120 mm.)	
KAPAK BAĞLANTI ELEMAN SAYISI (B) Number Of Connection Elements on Each Side Length (B)	1	
GÖVDE BAĞLANTI ELEMAN SAYISI (C) Number Of Connection Elements on Body (C)	1	
MALZEME Material	STEEL	


Özellikler;
(Features)

BEGA NUMARASI Bega No.	BG2020600	
ORJINAL NUMARASI Original No.	006 432 98 01	
PE NUMARASI PE No.	016.231-00A	
ÇAP (mm) Diameter (mm)	206	
HACİM (LİTRE) Capacity (Liter)	20	
TOPLAM UZUNLUK (mm.) Length (mm)	691	
MANŞON BAĞLANTISI Thread Connection	M22 X 1,5	
KAPAK BAĞLANTI ELEMAN SAYISI (A) Number Of Connection Elements on Each Side Length (A)	2 (120 mm.)	
KAPAK BAĞLANTI ELEMAN SAYISI (B) Number Of Connection Elements on Each Side Length (B)	1	
GÖVDE BAĞLANTI ELEMAN SAYISI (C) Number Of Connection Elements on Body (C)	1	
MALZEME Material	STEEL	



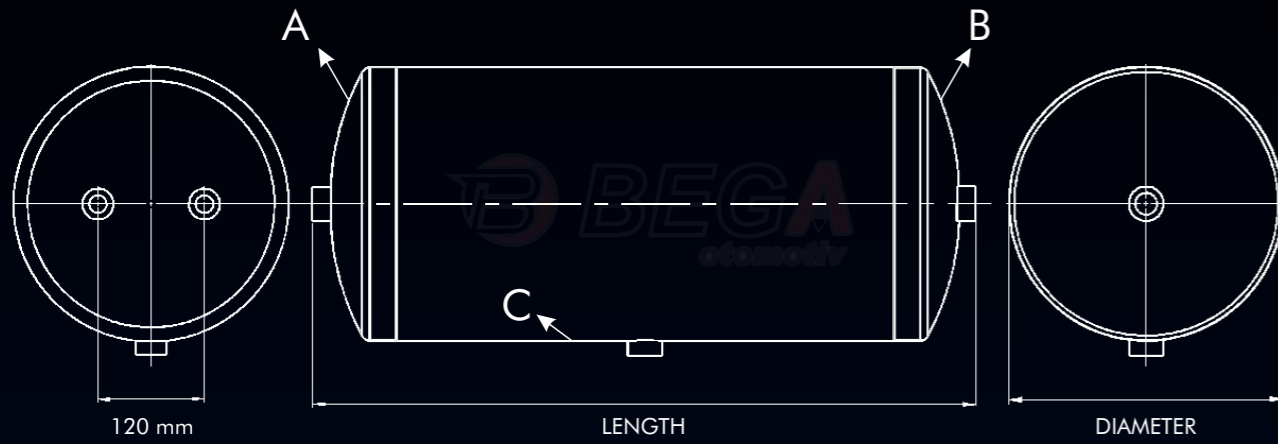


Özellikler; (Features)

BEGA NUMARASI Bega No.	BG2024601	
ORJINAL NUMARASI Original No.	000 432 43 01	
PE NUMARASI PE No.	016.232-00A	
ÇAP (mm) Diameter (mm)	246	
HACİM (LİTRE) Capacity (Liter)	20	
TOPLAM UZUNLUK (mm.) Length (mm)	495	
MANŞON BAĞLANTISI Thread Connection	M22 X 1,5	
KAPAK BAĞLANTI ELEMAN SAYISI (A) Number Of Connection Elements on Each Side Length (A)	2 (120 mm.)	
KAPAK BAĞLANTI ELEMAN SAYISI (B) Number Of Connection Elements on Each Side Length (B)	1	
GÖVDE BAĞLANTI ELEMAN SAYISI (C) Number Of Connection Elements on Body (C)	1	
MALZEME Material	STEEL	

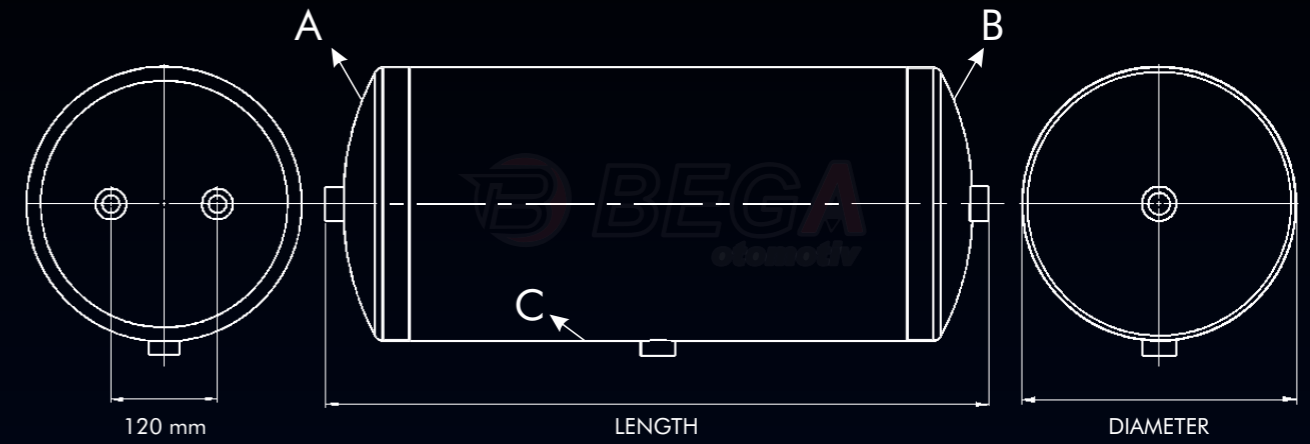
Özellikler; (Features)

BEGA NUMARASI Bega No.	BG3024600	
ORJINAL NUMARASI Original No.	003 432 18 01	
PE NUMARASI PE No.	016.233-00A	
ÇAP (mm) Diameter (mm)	246	
HACİM (LİTRE) Capacity (Liter)	30	
TOPLAM UZUNLUK (mm.) Length (mm)	700	
MANŞON BAĞLANTISI Thread Connection	M22 X 1,5	
KAPAK BAĞLANTI ELEMAN SAYISI (A) Number Of Connection Elements on Each Side Length (A)	2 (120 mm.)	
KAPAK BAĞLANTI ELEMAN SAYISI (B) Number Of Connection Elements on Each Side Length (B)	1	
GÖVDE BAĞLANTI ELEMAN SAYISI (C) Number Of Connection Elements on Body (C)	1	
MALZEME Material	STEEL	



Özellikler; (Features)

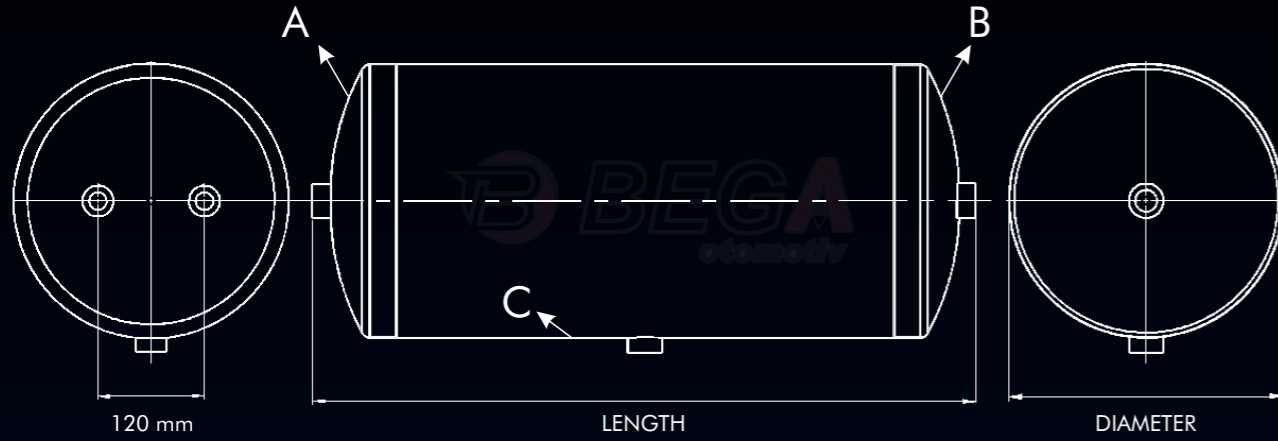
BEGA NUMARASI Bega No.	BG4024600	
ORJINAL NUMARASI Original No.	003 432 23 01	
PE NUMARASI PE No.	016.234-00A	
ÇAP (mm) Diameter (mm)	246	
HACİM (LİTRE) Capacity (Liter)	40	
TOPLAM UZUNLUK (mm.) Length (mm)	927	
MANŞON BAĞLANTISI Thread Connection	M22 X 1,5	
KAPAK BAĞLANTI ELEMAN SAYISI (A) Number Of Connection Elements on Each Side Length (A)	2 (120 mm.)	
KAPAK BAĞLANTI ELEMAN SAYISI (B) Number Of Connection Elements on Each Side Length (B)	1	
GÖVDE BAĞLANTI ELEMAN SAYISI (C) Number Of Connection Elements on Body (C)	1	
MALZEME Material	STEEL	



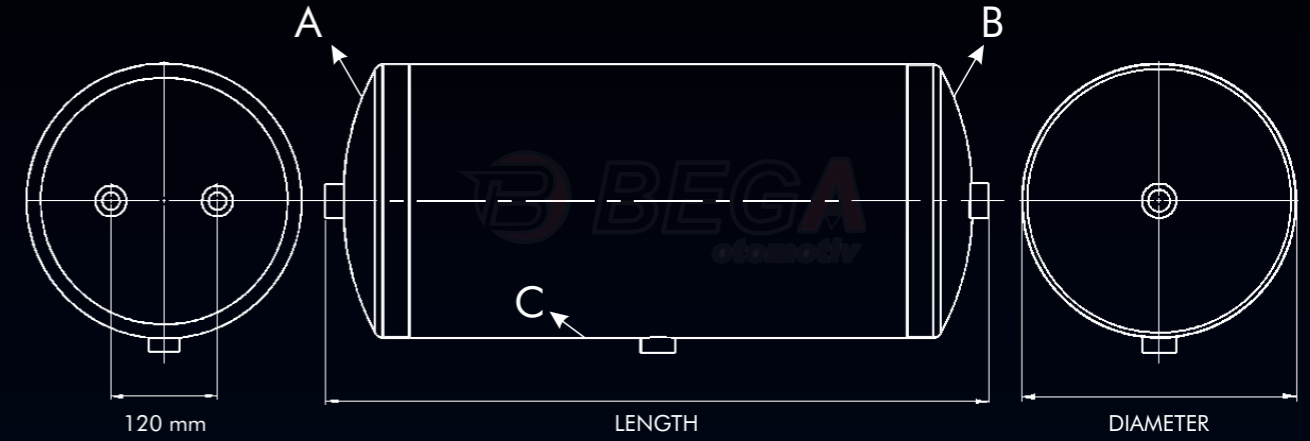
Özellikler; (Features)

BEGA NUMARASI Bega No.	BG4027600	
ORJINAL NUMARASI Original No.	003 432 25 01	
PE NUMARASI PE No.	016.235-00A	
ÇAP (mm) Diameter (mm)	276	
HACİM (LİTRE) Capacity (Liter)	40	
TOPLAM UZUNLUK (mm.) Length (mm)	758	
MANŞON BAĞLANTISI Thread Connection	M22 X 1,5	
KAPAK BAĞLANTI ELEMAN SAYISI (A) Number Of Connection Elements on Each Side Length (A)	2 (120 mm.)	
KAPAK BAĞLANTI ELEMAN SAYISI (B) Number Of Connection Elements on Each Side Length (B)	1	
GÖVDE BAĞLANTI ELEMAN SAYISI (C) Number Of Connection Elements on Body (C)	1	
MALZEME Material	STEEL	



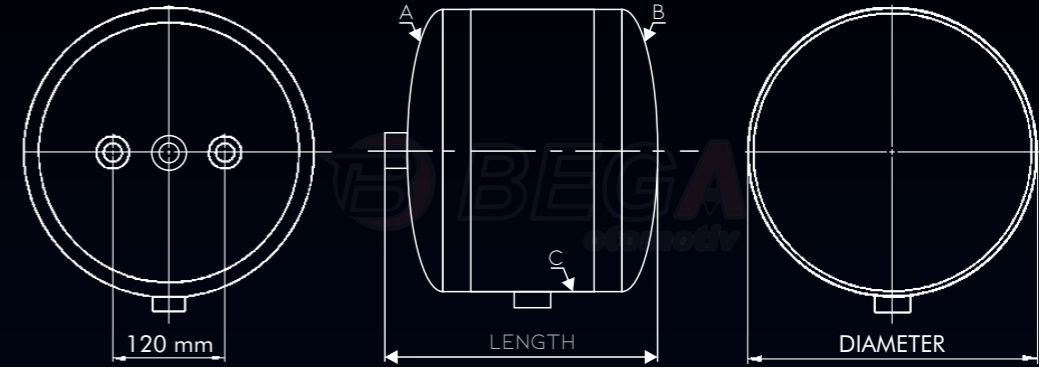
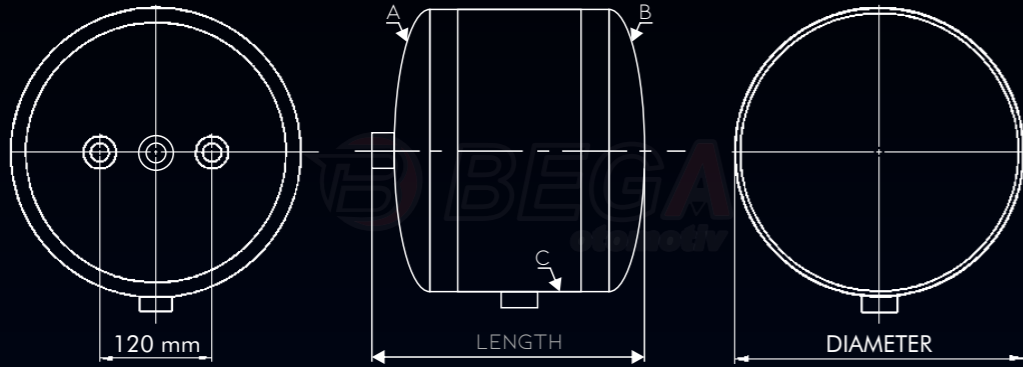

Özellikler;
(Features)

BEGA NUMARASI Bega No.	BG6027600	
ORJINAL NUMARASI Original No.	003 432 27 01	
PE NUMARASI PE No.	016.236-00A	
ÇAP (mm) Diameter (mm)	276	
HACİM (LİTRE) Capacity (Liter)	60	
TOPLAM UZUNLUK (mm.) Length (mm)	1110	
MANŞON BAĞLANTISI Thread Connection	M22 X 1,5	
KAPAK BAĞLANTI ELEMAN SAYISI (A) Number Of Connection Elements on Each Side Length (A)	2 (120 mm.)	
KAPAK BAĞLANTI ELEMAN SAYISI (B) Number Of Connection Elements on Each Side Length (B)	1	
GÖVDE BAĞLANTI ELEMAN SAYISI (C) Number Of Connection Elements on Body (C)	1	
MALZEME Material	STEEL	


Özellikler;
(Features)

BEGA NUMARASI Bega No.		
ORJINAL NUMARASI Original No.	003 432 11 01	
PE NUMARASI PE No.	016.237-00A	
ÇAP (mm) Diameter (mm)	276	
HACİM (LİTRE) Capacity (Liter)	85	
TOPLAM UZUNLUK (mm.) Length (mm)	1503	
MANŞON BAĞLANTISI Thread Connection	M22 X 1,5	
KAPAK BAĞLANTI ELEMAN SAYISI (A) Number Of Connection Elements on Each Side Length (A)	2 (120 mm.)	
KAPAK BAĞLANTI ELEMAN SAYISI (B) Number Of Connection Elements on Each Side Length (B)	1	
GÖVDE BAĞLANTI ELEMAN SAYISI (C) Number Of Connection Elements on Body (C)	1	
MALZEME Material	STEEL	



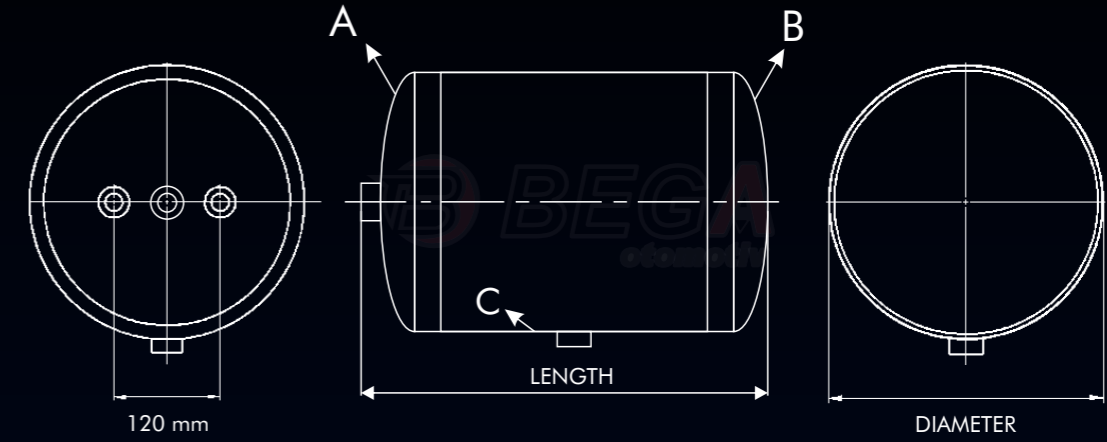
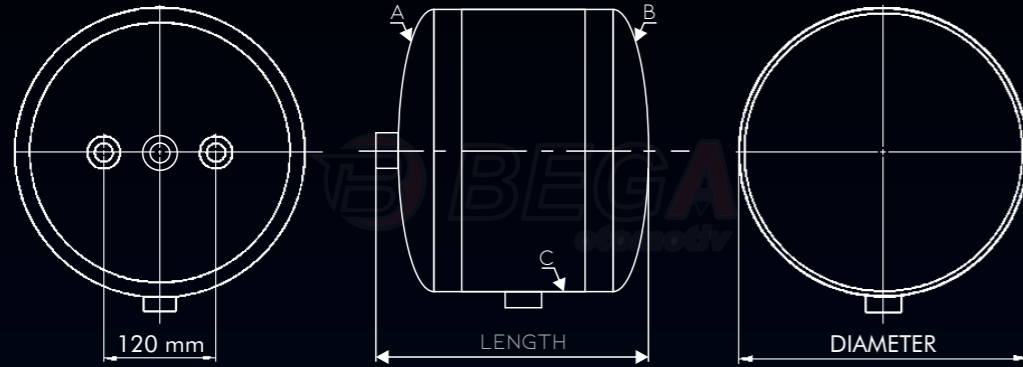


Özellikler; (Features)

BEGA NUMARASI Bega No.	BG1527600	
ORJINAL NUMARASI Original No.	005 432 24 01	
PE NUMARASI PE No.	016.362-00A	
ÇAP (mm) Diameter (mm)	276	
HACİM (LİTRE) Capacity (Liter)	15	
TOPLAM UZUNLUK (mm.) Length (mm)	326	
MANŞON BAĞLANTISI Thread Connection	M22 X 1,5	
KAPAK BAĞLANTI ELEMAN SAYISI (A) Number Of Connection Elements on Each Side Length (A)	3 (120 mm.)	
KAPAK BAĞLANTI ELEMAN SAYISI (B) Number Of Connection Elements on Each Side Length (B)	0	
GÖVDE BAĞLANTI ELEMAN SAYISI (C) Number Of Connection Elements on Body (C)	1	
MALZEME Material	STEEL	

Özellikler; (Features)

BEGA NUMARASI Bega No.	BG1024600	
ORJINAL NUMARASI Original No.	006 432 80 01	
PE NUMARASI PE No.	016.363-00A	
ÇAP (mm) Diameter (mm)	246	
HACİM (LİTRE) Capacity (Liter)	8	
TOPLAM UZUNLUK (mm.) Length (mm)	227	
MANŞON BAĞLANTISI Thread Connection	M22 X 1,5	
KAPAK BAĞLANTI ELEMAN SAYISI (A) Number Of Connection Elements on Each Side Length (A)	3 (120 mm.)	
KAPAK BAĞLANTI ELEMAN SAYISI (B) Number Of Connection Elements on Each Side Length (B)	0	
GÖVDE BAĞLANTI ELEMAN SAYISI (C) Number Of Connection Elements on Body (C)	1	
MALZEME Material	STEEL	

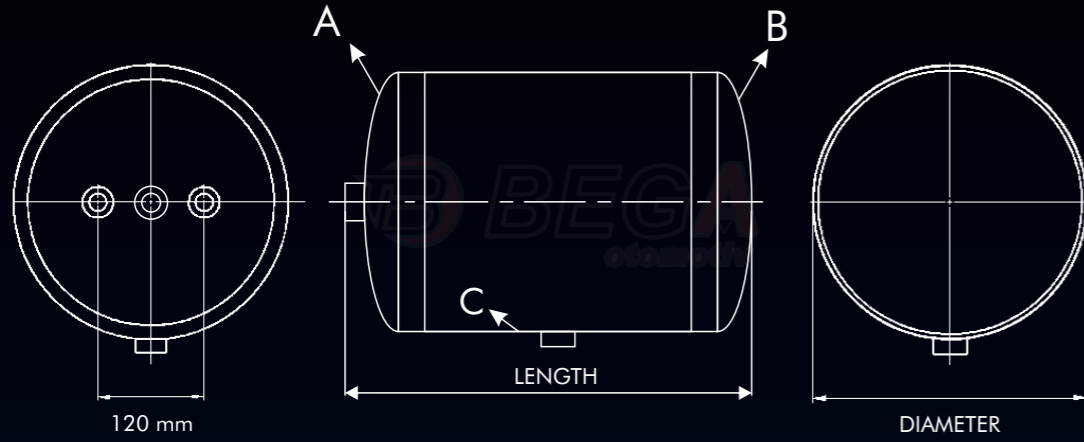


Özellikler; (Features)

Özellikler; (Features)

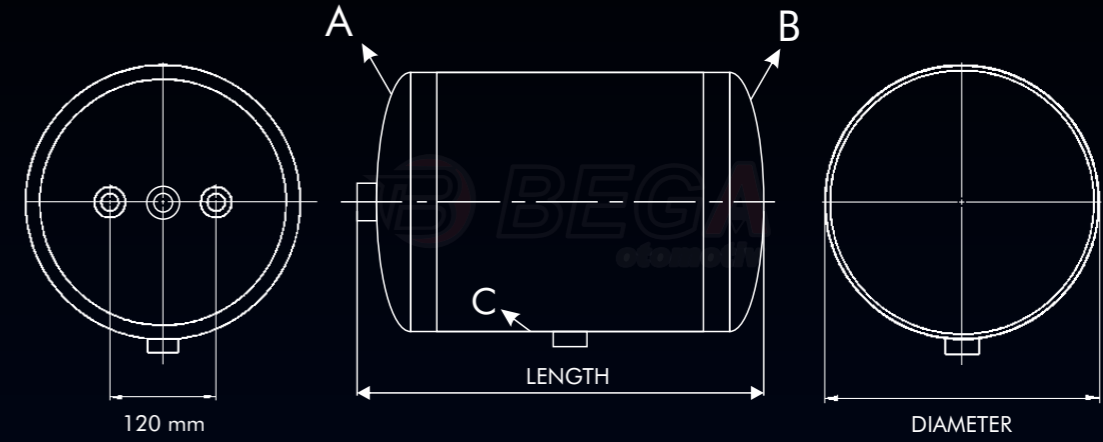
BEGA NUMARASI Bega No.	BG1024601	
ORJINAL NUMARASI Original No.	005 432 40 01	
PE NUMARASI PE No.	016.364-00A	
ÇAP (mm) Diameter (mm)	246	
HACİM (LİTRE) Capacity (Liter)	10	
TOPLAM UZUNLUK (mm.) Length (mm)	266	
MANŞON BAĞLANTISI Thread Connection	M22 X 1,5	
KAPAK BAĞLANTI ELEMAN SAYISI (A) Number Of Connection Elements on Each Side Length (A)	3 (120 mm.)	
KAPAK BAĞLANTI ELEMAN SAYISI (B) Number Of Connection Elements on Each Side Length (B)	0	
GÖVDE BAĞLANTI ELEMAN SAYISI (C) Number Of Connection Elements on Body (C)	1	
MALZEME Material	STEEL	

BEGA NUMARASI Bega No.	BG3524600	
ORJINAL NUMARASI Original No.	005 432 35 01	
PE NUMARASI PE No.	016.365-00A	
ÇAP (mm) Diameter (mm)	246	
HACİM (LİTRE) Capacity (Liter)	35	
TOPLAM UZUNLUK (mm.) Length (mm)	821	
MANŞON BAĞLANTISI Thread Connection	M22 X 1,5	
KAPAK BAĞLANTI ELEMAN SAYISI (A) Number Of Connection Elements on Each Side Length (A)	3 (120 mm.)	
KAPAK BAĞLANTI ELEMAN SAYISI (B) Number Of Connection Elements on Each Side Length (B)	0	
GÖVDE BAĞLANTI ELEMAN SAYISI (C) Number Of Connection Elements on Body (C)	1	
MALZEME Material	STEEL	



Özellikler; (Features)

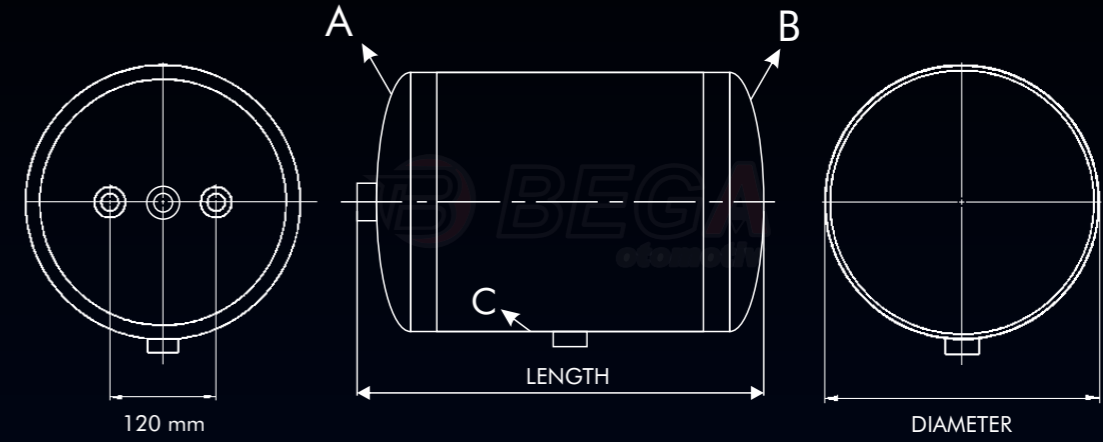
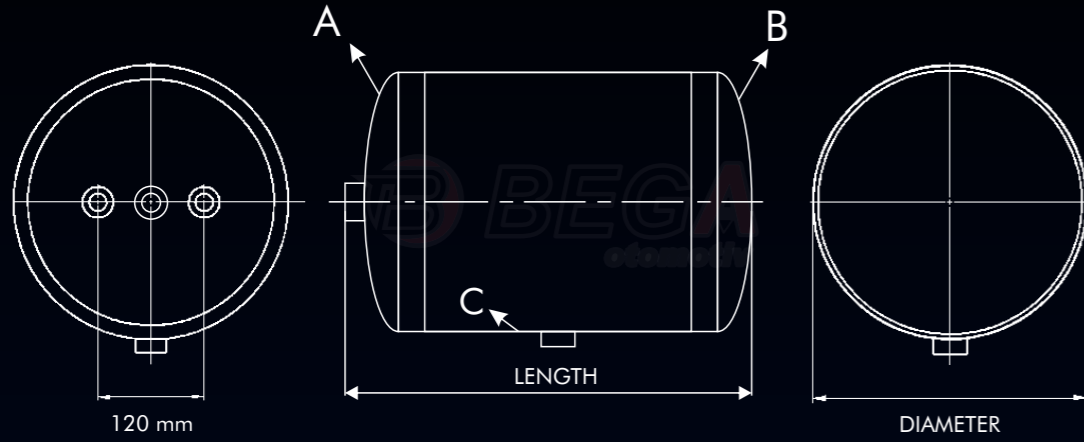
BEGA NUMARASI Bega No.		
ORJINAL NUMARASI Original No.	005 432 39 01	
PE NUMARASI PE No.	016.366-00A	
ÇAP (mm) Diameter (mm)	276	
HACİM (LİTRE) Capacity (Liter)	35	
TOPLAM UZUNLUK (mm.) Length (mm)	585	
MANŞON BAĞLANTISI Thread Connection	M22 X 1,5	
KAPAK BAĞLANTI ELEMAN SAYISI (A) Number Of Connection Elements on Each Side Length (A)	3 (120 mm.)	
KAPAK BAĞLANTI ELEMAN SAYISI (B) Number Of Connection Elements on Each Side Length (B)	0	
GÖVDE BAĞLANTI ELEMAN SAYISI (C) Number Of Connection Elements on Body (C)	1	
MALZEME Material	STEEL	



Özellikler; (Features)

BEGA NUMARASI Bega No.	BG4024603	
ORJINAL NUMARASI Original No.	005 432 42 01	
PE NUMARASI PE No.	036.367-00A	
ÇAP (mm) Diameter (mm)	206	
HACİM (LİTRE) Capacity (Liter)	20	
TOPLAM UZUNLUK (mm.) Length (mm)	677	
MANŞON BAĞLANTISI Thread Connection	M22 X 1,5	
KAPAK BAĞLANTI ELEMAN SAYISI (A) Number Of Connection Elements on Each Side Length (A)	3 (120 mm.)	
KAPAK BAĞLANTI ELEMAN SAYISI (B) Number Of Connection Elements on Each Side Length (B)	0	
GÖVDE BAĞLANTI ELEMAN SAYISI (C) Number Of Connection Elements on Body (C)	1	
MALZEME Material	STEEL	



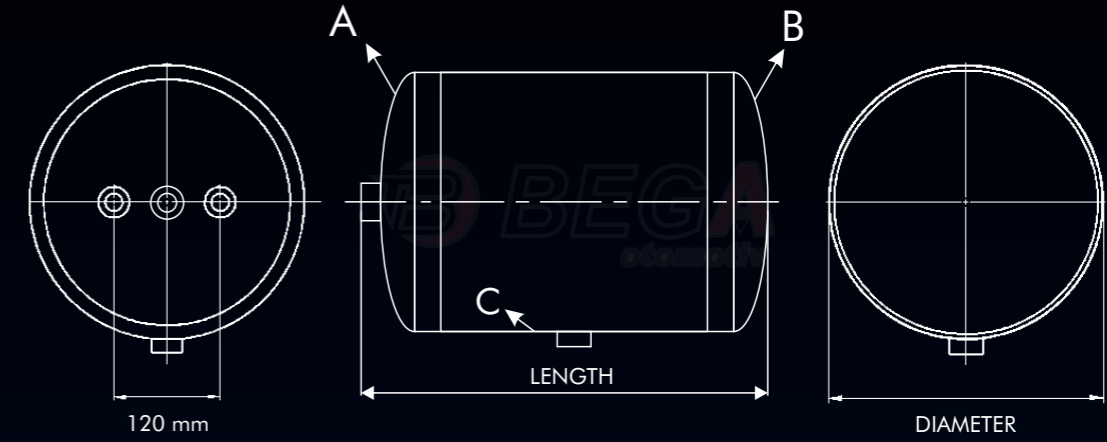
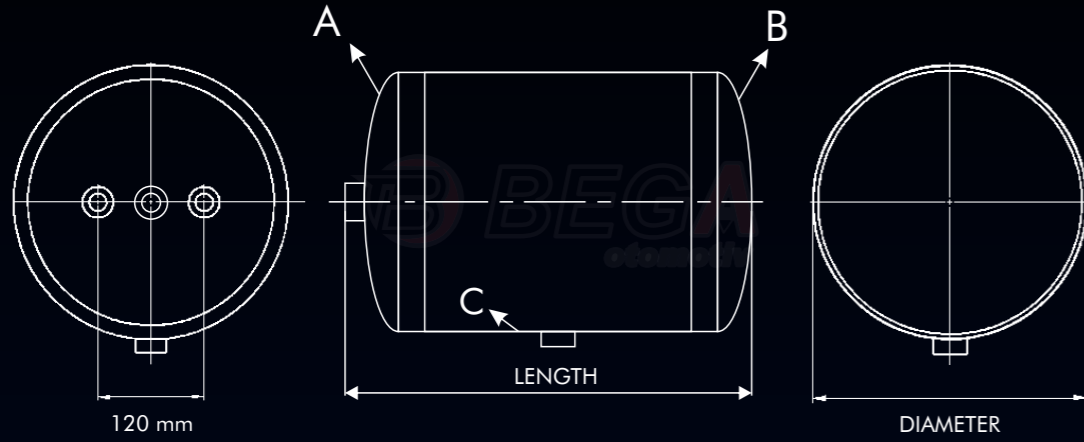


Özellikler; (Features)

Özellikler; (Features)

BEGA NUMARASI Bega No.	BG2520600	
ORJINAL NUMARASI Original No.	005 432 43 01	
PE NUMARASI PE No.	016.368-00A	
ÇAP (mm) Diameter (mm)	206	
HACİM (LİTRE) Capacity (Liter)	25	
TOPLAM UZUNLUK (mm.) Length (mm)	828	
MANŞON BAĞLANTISI Thread Connection	M22 X 1,5	
KAPAK BAĞLANTI ELEMAN SAYISI (A) Number Of Connection Elements on Each Side Length (A)	3 (120 mm.)	
KAPAK BAĞLANTI ELEMAN SAYISI (B) Number Of Connection Elements on Each Side Length (B)	0	
GÖVDE BAĞLANTI ELEMAN SAYISI (C) Number Of Connection Elements on Body (C)	1	
MALZEME Material	STEEL	

BEGA NUMARASI Bega No.	BG6024600	
ORJINAL NUMARASI Original No.	005 432 37 01	
PE NUMARASI PE No.	016.369-00A	
ÇAP (mm) Diameter (mm)	246	
HACİM (LİTRE) Capacity (Liter)	60	
TOPLAM UZUNLUK (mm.) Length (mm)	1369	
MANŞON BAĞLANTISI Thread Connection	M22 X 1,5	
KAPAK BAĞLANTI ELEMAN SAYISI (A) Number Of Connection Elements on Each Side Length (A)	3 (120 mm.)	
KAPAK BAĞLANTI ELEMAN SAYISI (B) Number Of Connection Elements on Each Side Length (B)	0	
GÖVDE BAĞLANTI ELEMAN SAYISI (C) Number Of Connection Elements on Body (C)	1	
MALZEME Material	STEEL	

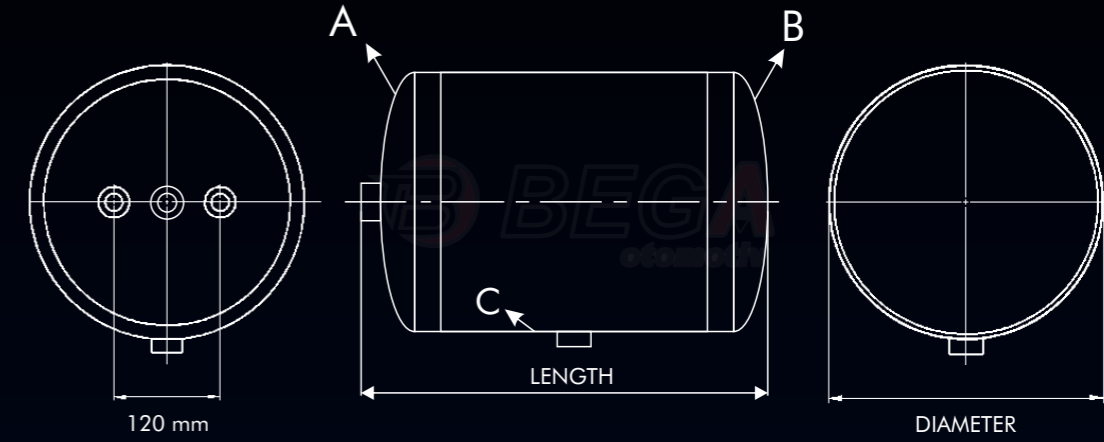
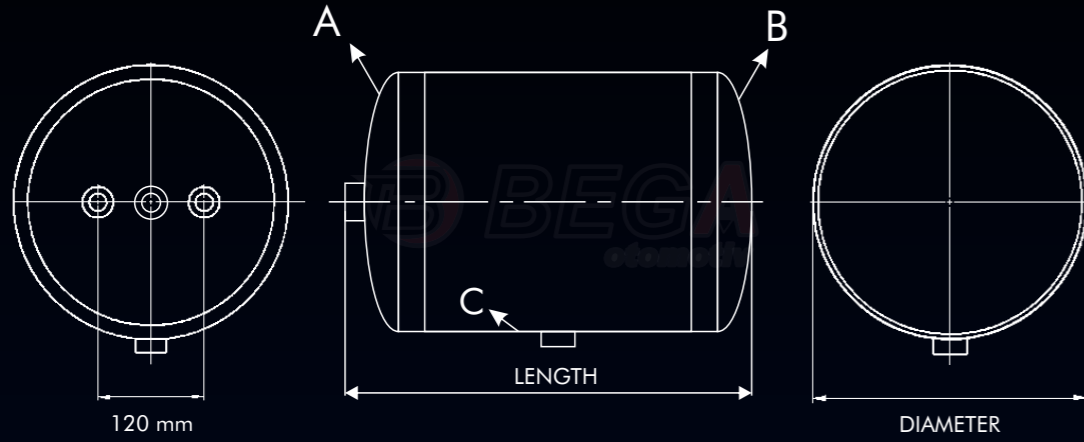


Özellikler; (Features)

Özellikler; (Features)

BEGA NUMARASI Bega No.	BG4024601	
ORJINAL NUMARASI Original No.	005 432 29 01	
PE NUMARASI PE No.	016.370-00A	
ÇAP (mm) Diameter (mm)	246	
HACİM (LİTRE) Capacity (Liter)	40	
TOPLAM UZUNLUK (mm.) Length (mm)	932,5	
MANŞON BAĞLANTISI Thread Connection	M22 X 1,5	
KAPAK BAĞLANTI ELEMAN SAYISI (A) Number Of Connection Elements on Each Side Length (A)	3 (120 mm.)	
KAPAK BAĞLANTI ELEMAN SAYISI (B) Number Of Connection Elements on Each Side Length (B)	0	
GÖVDE BAĞLANTI ELEMAN SAYISI (C) Number Of Connection Elements on Body (C)	1	
MALZEME Material	STEEL	

BEGA NUMARASI Bega No.	BG4527600	
ORJINAL NUMARASI Original No.	005 432 28 01	
PE NUMARASI PE No.	016.371-00A	
ÇAP (mm) Diameter (mm)	276	
HACİM (LİTRE) Capacity (Liter)	45	
TOPLAM UZUNLUK (mm.) Length (mm)	844	
MANŞON BAĞLANTISI Thread Connection	M22 X 1,5	
KAPAK BAĞLANTI ELEMAN SAYISI (A) Number Of Connection Elements on Each Side Length (A)	3 (120 mm.)	
KAPAK BAĞLANTI ELEMAN SAYISI (B) Number Of Connection Elements on Each Side Length (B)	0	
GÖVDE BAĞLANTI ELEMAN SAYISI (C) Number Of Connection Elements on Body (C)	1	
MALZEME Material	STEEL	



Özellikler; (Features)

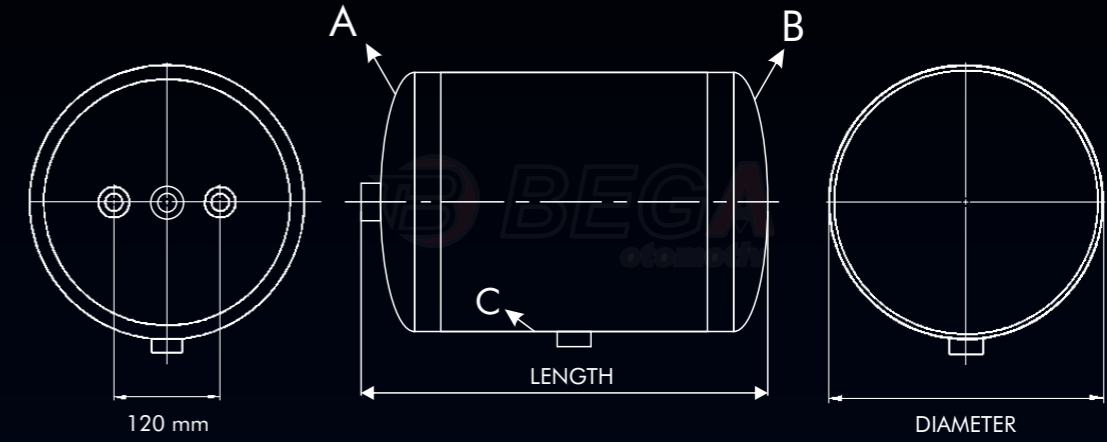
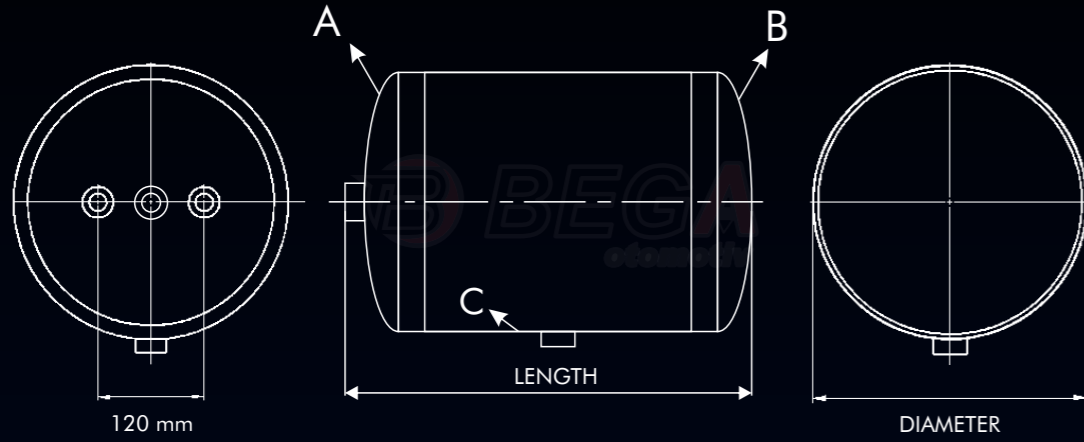
BEGA NUMARASI Bega No.	BG4027601	
ORJINAL NUMARASI Original No.	005 432 25 01	
PE NUMARASI PE No.	016.372-00A	
ÇAP (mm) Diameter (mm)	276	
HACİM (LİTRE) Capacity (Liter)	40	
TOPLAM UZUNLUK (mm.) Length (mm)	758	
MANŞON BAĞLANTISI Thread Connection	M22 X 1,5	
KAPAK BAĞLANTI ELEMAN SAYISI (A) Number Of Connection Elements on Each Side Length (A)	3 (120 mm.)	
KAPAK BAĞLANTI ELEMAN SAYISI (B) Number Of Connection Elements on Each Side Length (B)	0	
GÖVDE BAĞLANTI ELEMAN SAYISI (C) Number Of Connection Elements on Body (C)	1	
MALZEME Material	STEEL	



Özellikler; (Features)

BEGA NUMARASI Bega No.	BG2524600	
ORJINAL NUMARASI Original No.	005 432 38 01	
PE NUMARASI PE No.	016.373-00A	
ÇAP (mm) Diameter (mm)	246	
HACİM (LİTRE) Capacity (Liter)	25	
TOPLAM UZUNLUK (mm.) Length (mm)	605	
MANŞON BAĞLANTISI Thread Connection	M22 X 1,5	
KAPAK BAĞLANTI ELEMAN SAYISI (A) Number Of Connection Elements on Each Side Length (A)	3 (120 mm.)	
KAPAK BAĞLANTI ELEMAN SAYISI (B) Number Of Connection Elements on Each Side Length (B)	0	
GÖVDE BAĞLANTI ELEMAN SAYISI (C) Number Of Connection Elements on Body (C)	1	
MALZEME Material	STEEL	



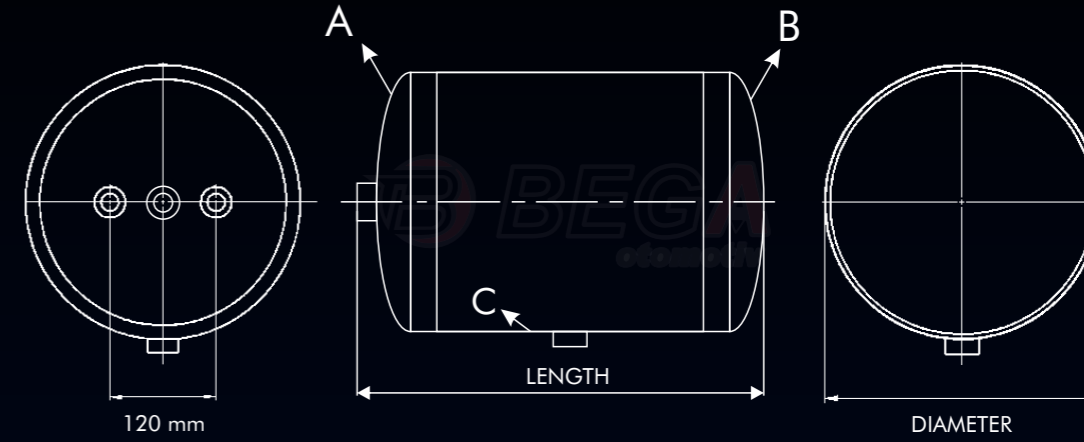
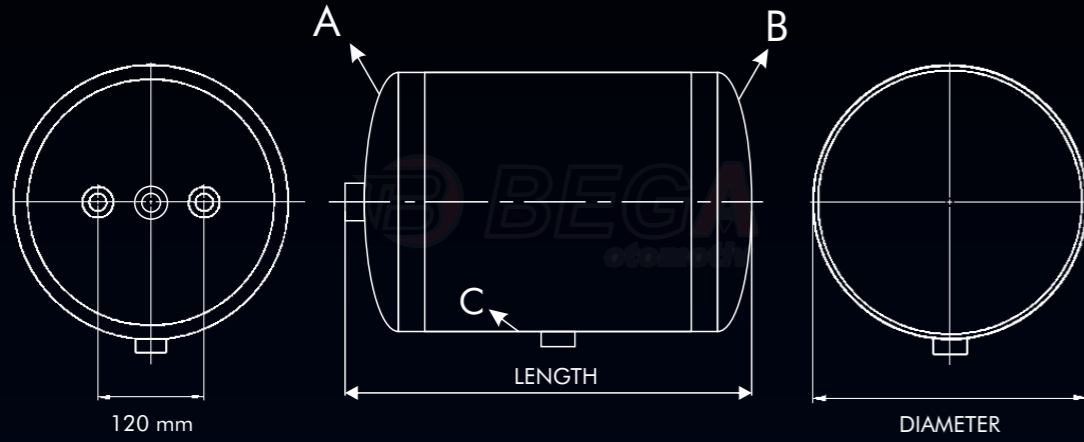


Özellikler; (Features)

Özellikler; (Features)

BEGA NUMARASI Bega No.	BG2027602	
ORJINAL NUMARASI Original No.	005 432 36 01	
PE NUMARASI PE No.	016.374-00A	
ÇAP (mm) Diameter (mm)	276	
HACİM (LİTRE) Capacity (Liter)	20	
TOPLAM UZUNLUK (mm.) Length (mm)	412	
MANŞON BAĞLANTISI Thread Connection	M22 X 1,5	
KAPAK BAĞLANTI ELEMAN SAYISI (A) Number Of Connection Elements on Each Side Length (A)	3 (120 mm.)	
KAPAK BAĞLANTI ELEMAN SAYISI (B) Number Of Connection Elements on Each Side Length (B)	0	
GÖVDE BAĞLANTI ELEMAN SAYISI (C) Number Of Connection Elements on Body (C)	1	
MALZEME Material	STEEL	

BEGA NUMARASI Bega No.	BG2024602	
ORJINAL NUMARASI Original No.	005 432 34 01	
PE NUMARASI PE No.	016.375-00A	
ÇAP (mm) Diameter (mm)	246	
HACİM (LİTRE) Capacity (Liter)	20	
TOPLAM UZUNLUK (mm.) Length (mm)	497	
MANŞON BAĞLANTISI Thread Connection	M22 X 1,5	
KAPAK BAĞLANTI ELEMAN SAYISI (A) Number Of Connection Elements on Each Side Length (A)	3 (120 mm.)	
KAPAK BAĞLANTI ELEMAN SAYISI (B) Number Of Connection Elements on Each Side Length (B)	0	
GÖVDE BAĞLANTI ELEMAN SAYISI (C) Number Of Connection Elements on Body (C)	1	
MALZEME Material	STEEL	

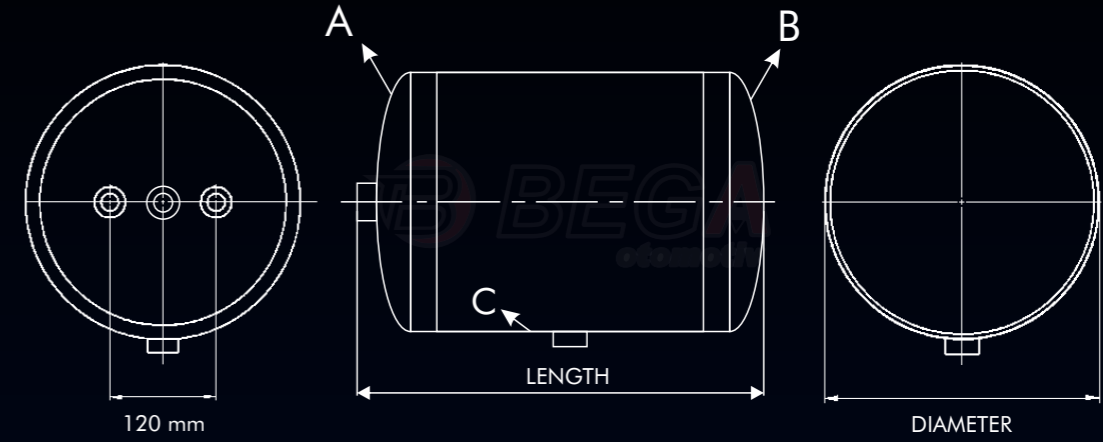
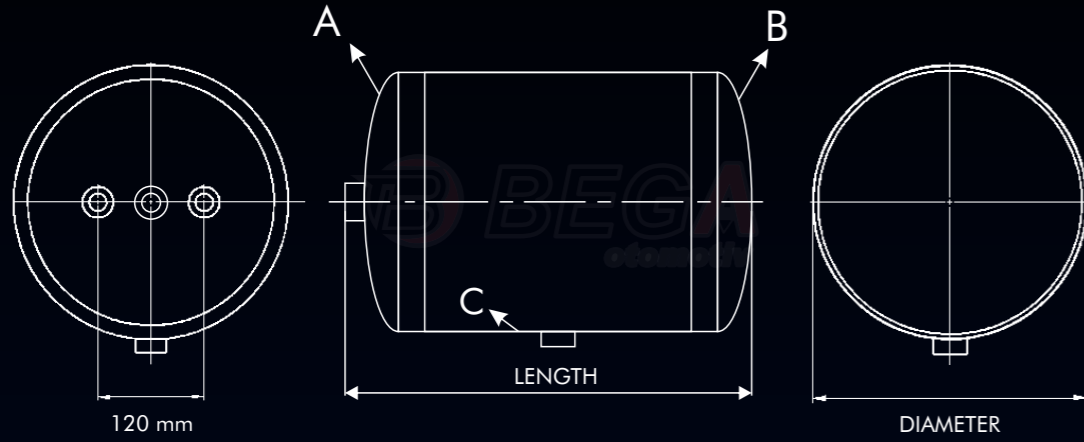


Özellikler; (Features)

Özellikler; (Features)

BEGA NUMARASI Bega No.	BG3527600	
ORJINAL NUMARASI Original No.	005 432 27 01	
PE NUMARASI PE No.	016.376-00A	
ÇAP (mm) Diameter (mm)	276	
HACİM (LİTRE) Capacity (Liter)	35	
TOPLAM UZUNLUK (mm.) Length (mm)	663	
MANŞON BAĞLANTISI Thread Connection	M22 X 1,5	
KAPAK BAĞLANTI ELEMAN SAYISI (A) Number Of Connection Elements on Each Side Length (A)	3 (120 mm.)	
KAPAK BAĞLANTI ELEMAN SAYISI (B) Number Of Connection Elements on Each Side Length (B)	0	
GÖVDE BAĞLANTI ELEMAN SAYISI (C) Number Of Connection Elements on Body (C)	1	
MALZEME Material	STEEL	

BEGA NUMARASI Bega No.	BG2527600	
ORJINAL NUMARASI Original No.	005 432 26 01	
PE NUMARASI PE No.	016.377-00A	
ÇAP (mm) Diameter (mm)	276	
HACİM (LİTRE) Capacity (Liter)	25	
TOPLAM UZUNLUK (mm.) Length (mm)	495	
MANŞON BAĞLANTISI Thread Connection	M22 X 1,5	
KAPAK BAĞLANTI ELEMAN SAYISI (A) Number Of Connection Elements on Each Side Length (A)	3 (120 mm.)	
KAPAK BAĞLANTI ELEMAN SAYISI (B) Number Of Connection Elements on Each Side Length (B)	0	
GÖVDE BAĞLANTI ELEMAN SAYISI (C) Number Of Connection Elements on Body (C)	1	
MALZEME Material	STEEL	

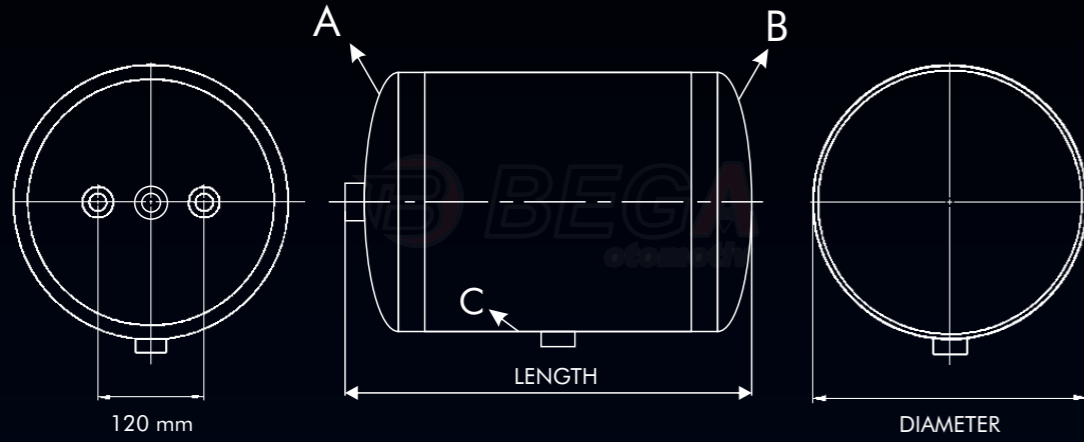


Özellikler; (Features)

Özellikler; (Features)

BEGA NUMARASI Bega No.	BG3024604	
ORJINAL NUMARASI Original No.	005 432 23 01	
PE NUMARASI PE No.	016.378-00A	
ÇAP (mm) Diameter (mm)	246	
HACİM (LİTRE) Capacity (Liter)	30	
TOPLAM UZUNLUK (mm.) Length (mm)	714,5	
MANŞON BAĞLANTISI Thread Connection	M22 X 1,5	
KAPAK BAĞLANTI ELEMAN SAYISI (A) Number Of Connection Elements on Each Side Length (A)	3 (120 mm.)	
KAPAK BAĞLANTI ELEMAN SAYISI (B) Number Of Connection Elements on Each Side Length (B)	0	
GÖVDE BAĞLANTI ELEMAN SAYISI (C) Number Of Connection Elements on Body (C)	1	
MALZEME Material	STEEL	

BEGA NUMARASI Bega No.	BG3027600	
ORJINAL NUMARASI Original No.	005 432 22 01	
PE NUMARASI PE No.	016.379-00A	
ÇAP (mm) Diameter (mm)	276	
HACİM (LİTRE) Capacity (Liter)	30	
TOPLAM UZUNLUK (mm.) Length (mm)	585	
MANŞON BAĞLANTISI Thread Connection	M22 X 1,5	
KAPAK BAĞLANTI ELEMAN SAYISI (A) Number Of Connection Elements on Each Side Length (A)	3 (120 mm.)	
KAPAK BAĞLANTI ELEMAN SAYISI (B) Number Of Connection Elements on Each Side Length (B)	0	
GÖVDE BAĞLANTI ELEMAN SAYISI (C) Number Of Connection Elements on Body (C)	1	
MALZEME Material	STEEL	



Özellikler;
(Features)

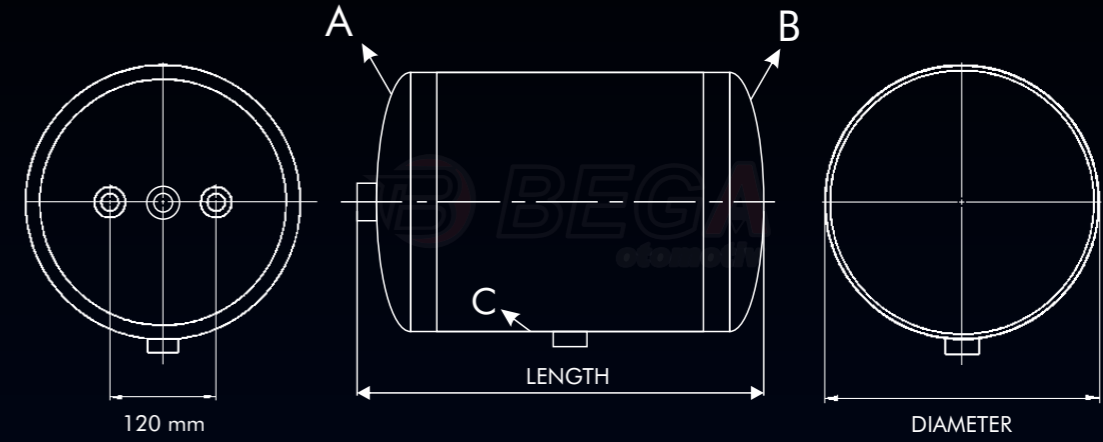
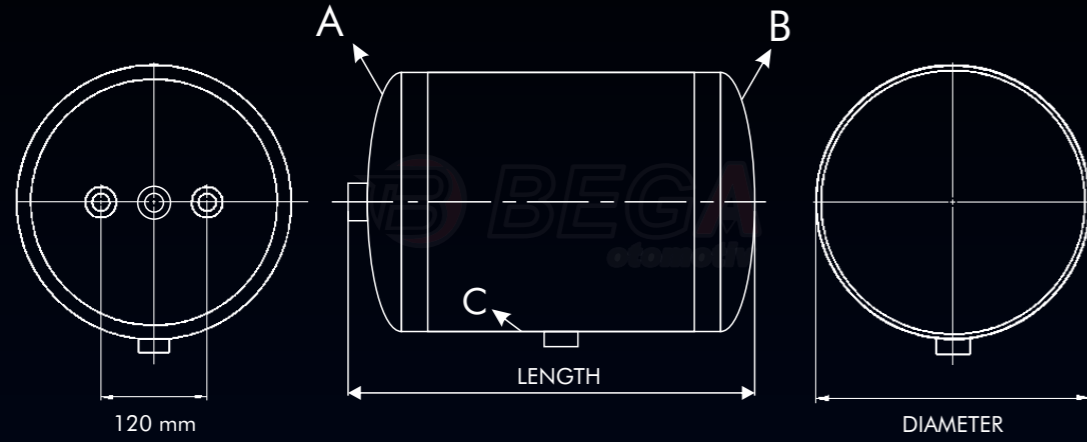
BEGA NUMARASI Bega No.		
ORJINAL NUMARASI Original No.	005 432 21 01	
PE NUMARASI PE No.	016.380-00A	
ÇAP (mm) Diameter (mm)	276	
HACİM (LİTRE) Capacity (Liter)	20	
TOPLAM UZUNLUK (mm.) Length (mm)	412	
MANŞON BAĞLANTISI Thread Connection	M22 X 1,5	
KAPAK BAĞLANTI ELEMAN SAYISI (A) Number Of Connection Elements on Each Side Length (A)	3 (120 mm.)	
KAPAK BAĞLANTI ELEMAN SAYISI (B) Number Of Connection Elements on Each Side Length (B)	0	
GÖVDE BAĞLANTI ELEMAN SAYISI (C) Number Of Connection Elements on Body (C)	1	
MALZEME Material	STEEL	



Özellikler;
(Features)

BEGA NUMARASI Bega No.		
ORJINAL NUMARASI Original No.	007 432 13 01	
PE NUMARASI PE No.	016.381-00A	
ÇAP (mm) Diameter (mm)	206	
HACİM (LİTRE) Capacity (Liter)	20	
TOPLAM UZUNLUK (mm.) Length (mm)	674	
MANŞON BAĞLANTISI Thread Connection	M22 X 1,5	
KAPAK BAĞLANTI ELEMAN SAYISI (A) Number Of Connection Elements on Each Side Length (A)	2 (60 mm.)	
KAPAK BAĞLANTI ELEMAN SAYISI (B) Number Of Connection Elements on Each Side Length (B)	1	
GÖVDE BAĞLANTI ELEMAN SAYISI (C) Number Of Connection Elements on Body (C)	2	
MALZEME Material	STEEL	



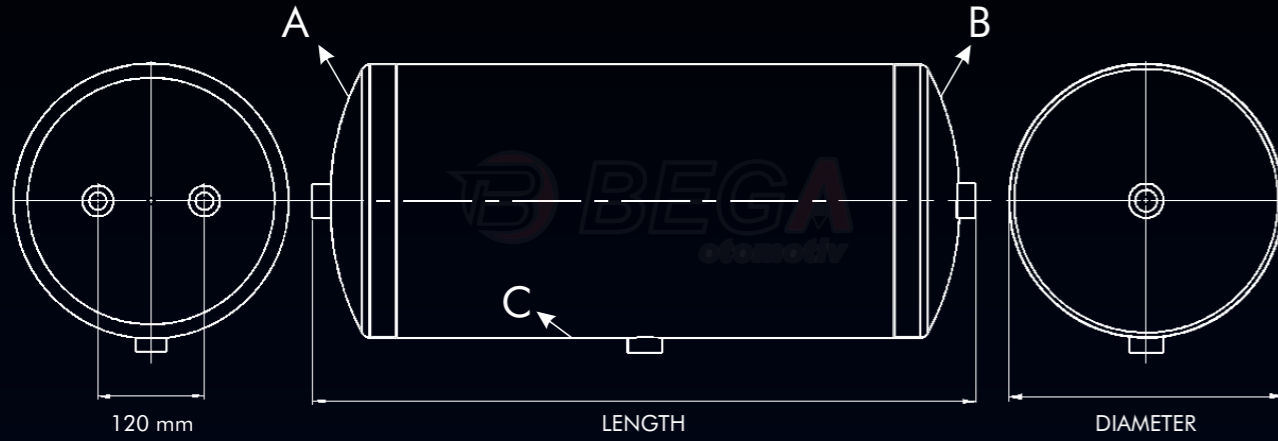


Özellikler; (Features)

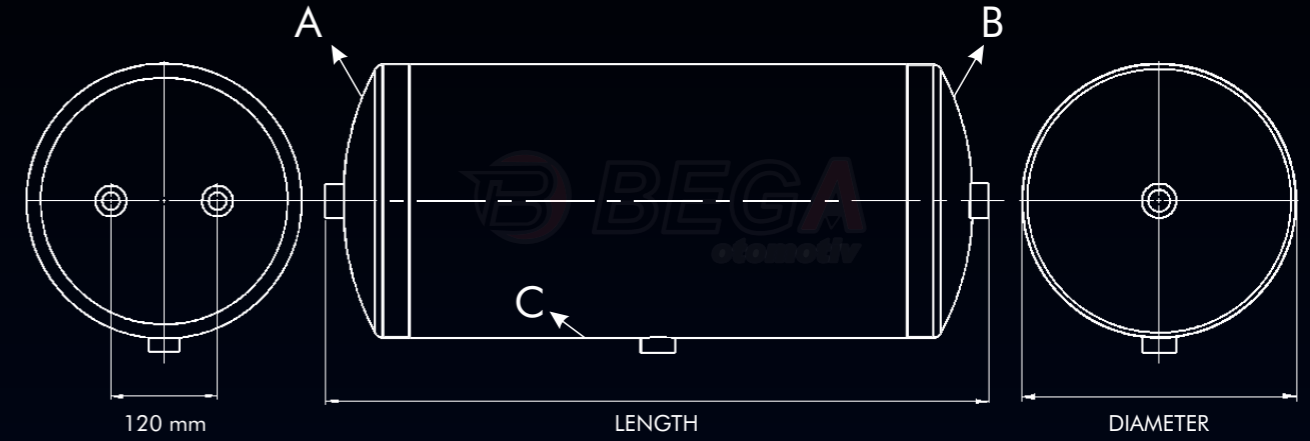
Özellikler; (Features)

BEGA NUMARASI Bega No.	BG3027601	
ORJINAL NUMARASI Original No.	007 432 21 01	
PE NUMARASI PE No.	016.382-00A	
ÇAP (mm) Diameter (mm)	276	
HACİM (LİTRE) Capacity (Liter)	30	
TOPLAM UZUNLUK (mm.) Length (mm)	599,5	
MANŞON BAĞLANTISI Thread Connection	M22 X 1,5	
KAPAK BAĞLANTI ELEMAN SAYISI (A) Number Of Connection Elements on Each Side Length (A)	2 (120 mm.)	
KAPAK BAĞLANTI ELEMAN SAYISI (B) Number Of Connection Elements on Each Side Length (B)	1	
GÖVDE BAĞLANTI ELEMAN SAYISI (C) Number Of Connection Elements on Body (C)	1	
MALZEME Material	STEEL	

BEGA NUMARASI Bega No.	BG2524601	
ORJINAL NUMARASI Original No.	003 432 93 01	
PE NUMARASI PE No.	016.383-00A	
ÇAP (mm) Diameter (mm)	246	
HACİM (LİTRE) Capacity (Liter)	25	
TOPLAM UZUNLUK (mm.) Length (mm)	605	
MANŞON BAĞLANTISI Thread Connection	M22 X 1,5	
KAPAK BAĞLANTI ELEMAN SAYISI (A) Number Of Connection Elements on Each Side Length (A)	3 (120 mm.)	
KAPAK BAĞLANTI ELEMAN SAYISI (B) Number Of Connection Elements on Each Side Length (B)	0	
GÖVDE BAĞLANTI ELEMAN SAYISI (C) Number Of Connection Elements on Body (C)	1	
MALZEME Material	STEEL	

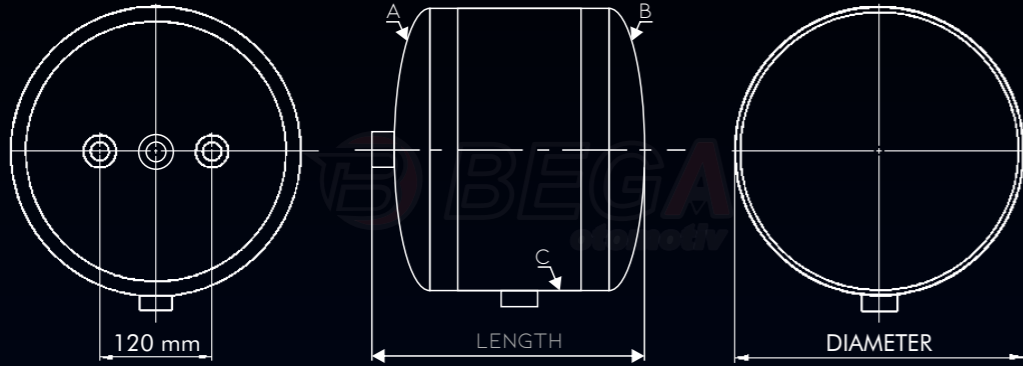

Özellikler;
(Features)

BEGA NUMARASI Bega No.	BG2024603	
ORJINAL NUMARASI Original No.	006 432 64 01	
PE NUMARASI PE No.	016.384-00A	
ÇAP (mm) Diameter (mm)	246	
HACİM (LİTRE) Capacity (Liter)	20	
TOPLAM UZUNLUK (mm.) Length (mm)	509	
MANŞON BAĞLANTISI Thread Connection	M22 X 1,5	
KAPAK BAĞLANTI ELEMAN SAYISI (A) Number Of Connection Elements on Each Side Length (A)	2 (120 mm.)	
KAPAK BAĞLANTI ELEMAN SAYISI (B) Number Of Connection Elements on Each Side Length (B)	1	
GÖVDE BAĞLANTI ELEMAN SAYISI (C) Number Of Connection Elements on Body (C)	1	
MALZEME Material	STEEL	


Özellikler;
(Features)

BEGA NUMARASI Bega No.	BG2027604	
ORJINAL NUMARASI Original No.	007 432 16 01	
PE NUMARASI PE No.	016.385-00A	
ÇAP (mm) Diameter (mm)	276	
HACİM (LİTRE) Capacity (Liter)	20	
TOPLAM UZUNLUK (mm.) Length (mm)	430	
MANŞON BAĞLANTISI Thread Connection	M22 X 1,5	
KAPAK BAĞLANTI ELEMAN SAYISI (A) Number Of Connection Elements on Each Side Length (A)	2 (120 mm.)	
KAPAK BAĞLANTI ELEMAN SAYISI (B) Number Of Connection Elements on Each Side Length (B)	1	
GÖVDE BAĞLANTI ELEMAN SAYISI (C) Number Of Connection Elements on Body (C)	1	
MALZEME Material	STEEL	





Özellikler;
(Features)

BEGA NUMARASI Bega No.	BG1020601	
ORJINAL NUMARASI Original No.	005 432 33 01	
PE NUMARASI PE No.	016.386-00A	
ÇAP (mm) Diameter (mm)	206	
HACİM (LİTRE) Capacity (Liter)	10	
TOPLAM UZUNLUK (mm.) Length (mm)	366	
MANŞON BAĞLANTISI Thread Connection	M22 X 1,5	
KAPAK BAĞLANTI ELEMAN SAYISI (A) Number Of Connection Elements on Each Side Length (A)	3 (120 mm.)	
KAPAK BAĞLANTI ELEMAN SAYISI (B) Number Of Connection Elements on Each Side Length (B)	0	
GÖVDE BAĞLANTI ELEMAN SAYISI (C) Number Of Connection Elements on Body (C)	1	
MALZEME Material	STEEL	



Özellikler;
(Features)

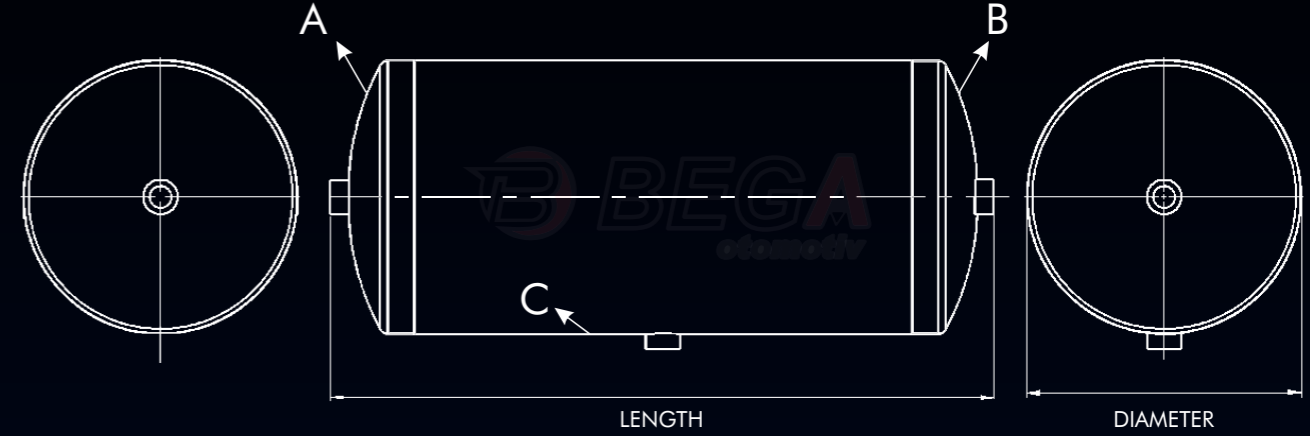
BEGA NUMARASI Bega No.	Bg90520600	
ORJINAL NUMARASI Original No.	007 432 10 01	
PE NUMARASI PE No.	016.387-00A	
ÇAP (mm) Diameter (mm)	206	
HACİM (LİTRE) Capacity (Liter)	9,5	
TOPLAM UZUNLUK (mm.) Length (mm)	351	
MANŞON BAĞLANTISI Thread Connection	M22 X 1,5	
KAPAK BAĞLANTI ELEMAN SAYISI (A) Number Of Connection Elements on Each Side Length (A)	2 (45 mm.)	
KAPAK BAĞLANTI ELEMAN SAYISI (B) Number Of Connection Elements on Each Side Length (B)	1	
GÖVDE BAĞLANTI ELEMAN SAYISI (C) Number Of Connection Elements on Body (C)	3	
MALZEME Material	STEEL	





Özellikler;
(Features)

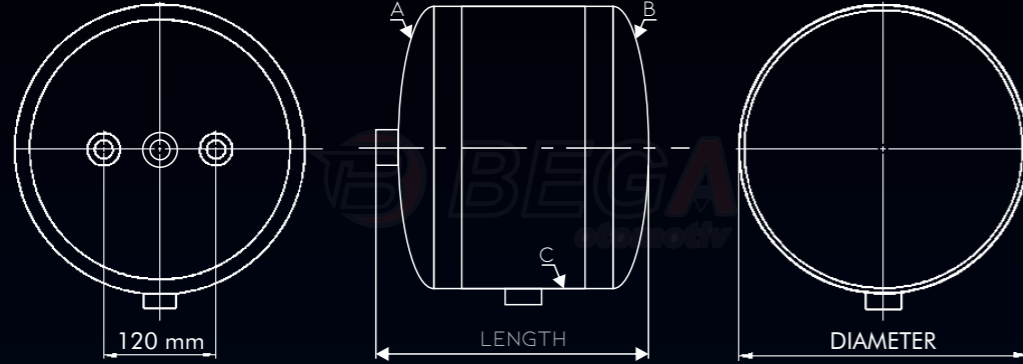
BEGA NUMARASI Bega No.	BG1020602	
ORJINAL NUMARASI Original No.	007 432 20 01	
PE NUMARASI PE No.	016.388-00A	
ÇAP (mm) Diameter (mm)	206	
HACİM (LİTRE) Capacity (Liter)	10	
TOPLAM UZUNLUK (mm.) Length (mm)	364	
MANŞON BAĞLANTISI Thread Connection	M22 X 1,5	
KAPAK BAĞLANTI ELEMAN SAYISI (A) Number Of Connection Elements on Each Side Length (A)	3 (120 mm.)	
KAPAK BAĞLANTI ELEMAN SAYISI (B) Number Of Connection Elements on Each Side Length (B)	0	
GÖVDE BAĞLANTI ELEMAN SAYISI (C) Number Of Connection Elements on Body (C)	1	
MALZEME Material	STEEL	



Özellikler;
(Features)

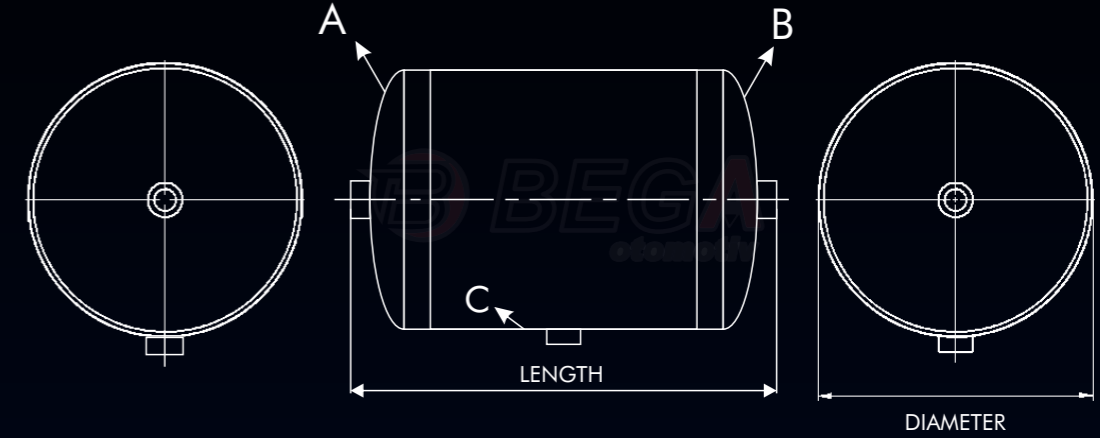
BEGA NUMARASI Bega No.	BG0414400	
ORJINAL NUMARASI Original No.	003 432 03 01	
PE NUMARASI PE No.	016.389-00A	
ÇAP (mm) Diameter (mm)	144	
HACİM (LİTRE) Capacity (Liter)	4	
TOPLAM UZUNLUK (mm.) Length (mm)	315	
MANŞON BAĞLANTISI Thread Connection	M22 X 1,5	
KAPAK BAĞLANTI ELEMAN SAYISI (A) Number Of Connection Elements on Each Side Length (A)	1	
KAPAK BAĞLANTI ELEMAN SAYISI (B) Number Of Connection Elements on Each Side Length (B)	1	
GÖVDE BAĞLANTI ELEMAN SAYISI (C) Number Of Connection Elements on Body (C)	0	
MALZEME Material	STEEL	





Özellikler;
(Features)

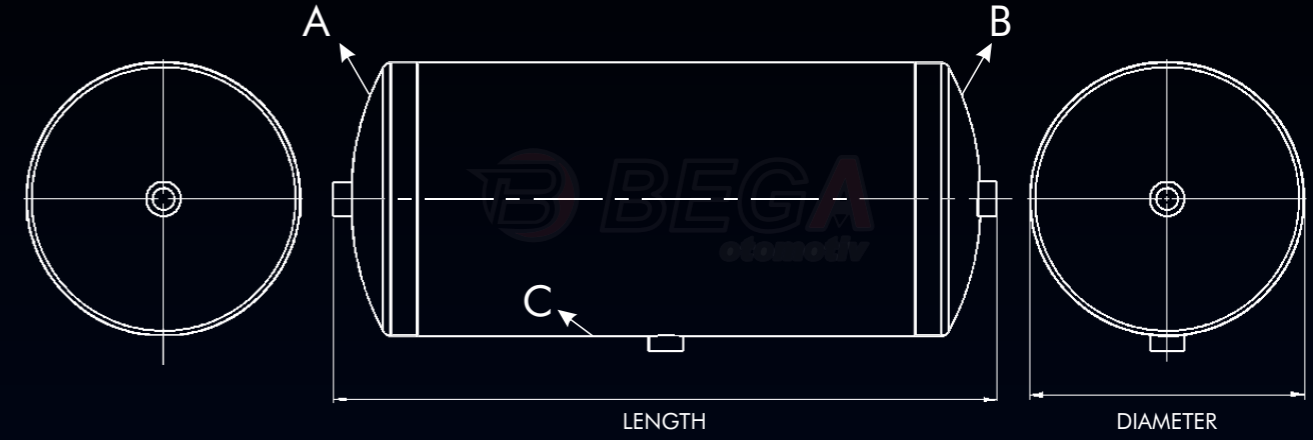
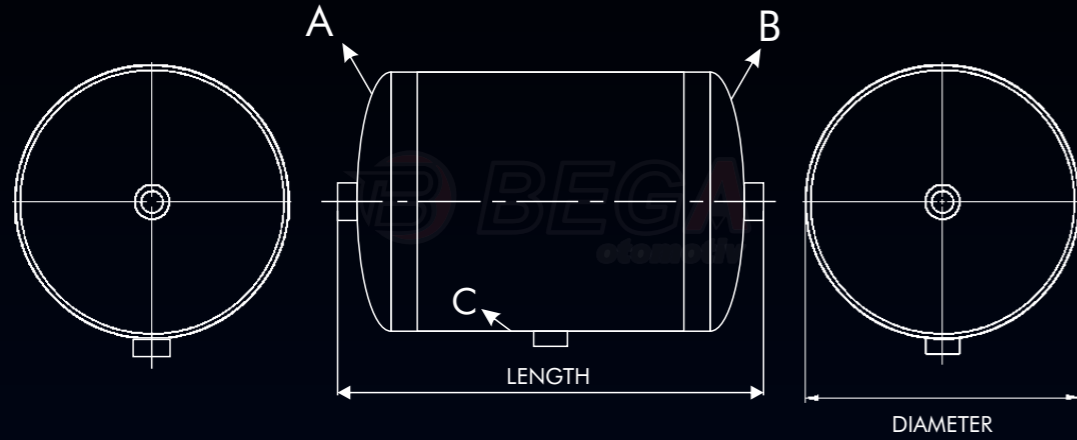
BEGA NUMARASI Bega No.	BG0824600	
ORJINAL NUMARASI Original No.	005 432 32 01	
PE NUMARASI PE No.	016.390-00A	
ÇAP (mm) Diameter (mm)	246	
HACİM (LİTRE) Capacity (Liter)	7,5	
TOPLAM UZUNLUK (mm.) Length (mm)	227	
MANŞON BAĞLANTISI Thread Connection	M22 X 1,5	
KAPAK BAĞLANTI ELEMAN SAYISI (A) Number Of Connection Elements on Each Side Length (A)	3 (120 mm.)	
KAPAK BAĞLANTI ELEMAN SAYISI (B) Number Of Connection Elements on Each Side Length (B)	0	
GÖVDE BAĞLANTI ELEMAN SAYISI (C) Number Of Connection Elements on Body (C)	1	
MALZEME Material	STEEL	



Özellikler;
(Features)

BEGA NUMARASI Bega No.	BG0614400	
ORJINAL NUMARASI Original No.	005 432 20 01	
PE NUMARASI PE No.	016.391-00A	
ÇAP (mm) Diameter (mm)	144	
HACİM (LİTRE) Capacity (Liter)	6	
TOPLAM UZUNLUK (mm.) Length (mm)	453	
MANŞON BAĞLANTISI Thread Connection	M22 X 1,5	
KAPAK BAĞLANTI ELEMAN SAYISI (A) Number Of Connection Elements on Each Side Length (A)	1	
KAPAK BAĞLANTI ELEMAN SAYISI (B) Number Of Connection Elements on Each Side Length (B)	1	
GÖVDE BAĞLANTI ELEMAN SAYISI (C) Number Of Connection Elements on Body (C)	1	
MALZEME Material	STEEL	



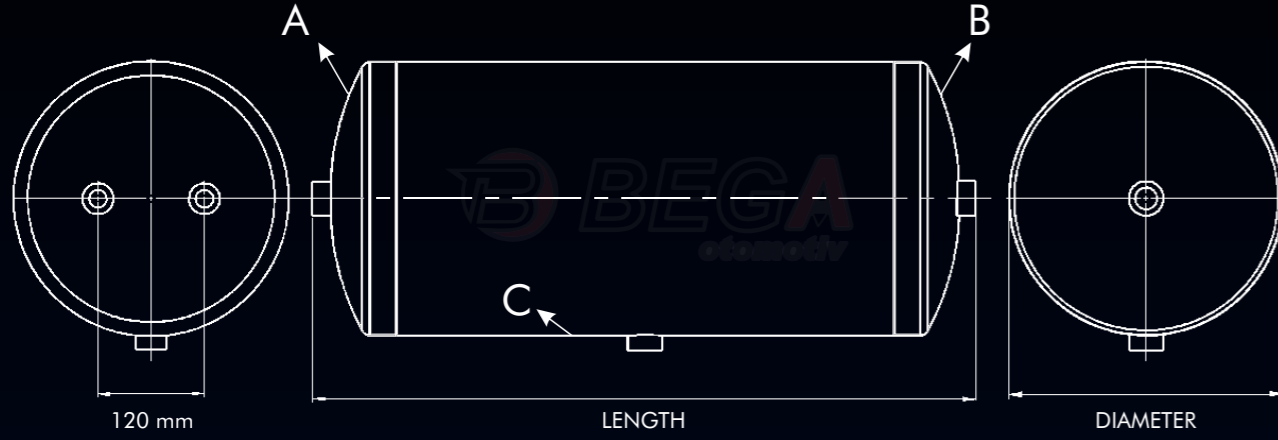


Özellikler; (Features)

Özellikler; (Features)

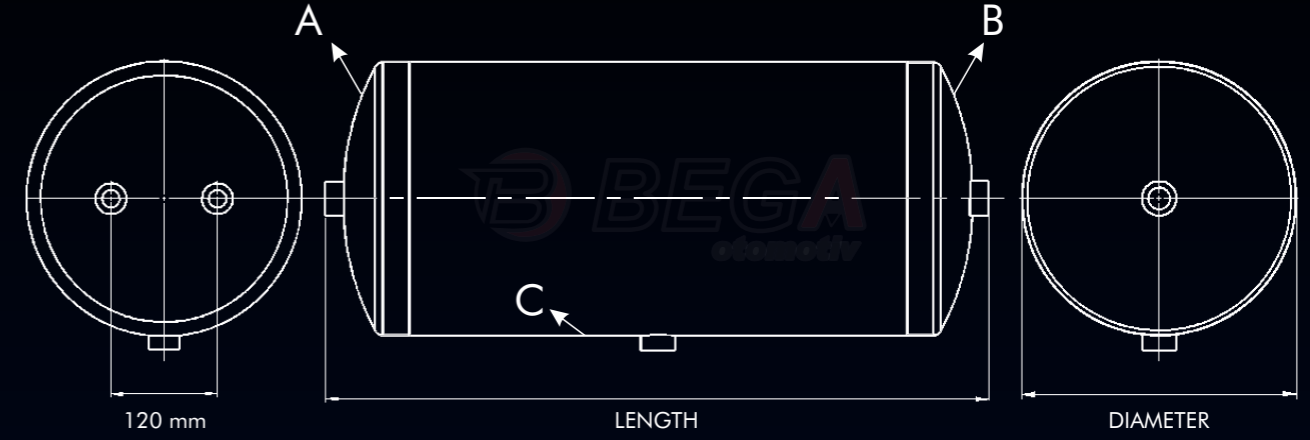
BEGA NUMARASI Bega No.	Bg50414400	
ORJINAL NUMARASI Original No.	005 432 31 01	
PE NUMARASI PE No.	016.392-00A	
ÇAP (mm) Diameter (mm)	144	
HACİM (LİTRE) Capacity (Liter)	5,4	
TOPLAM UZUNLUK (mm.) Length (mm)	411,5	
MANŞON BAĞLANTISI Thread Connection	M22 X 1,5	
KAPAK BAĞLANTI ELEMAN SAYISI (A) Number Of Connection Elements on Each Side Length (A)	1	
KAPAK BAĞLANTI ELEMAN SAYISI (B) Number Of Connection Elements on Each Side Length (B)	1	
GÖVDE BAĞLANTI ELEMAN SAYISI (C) Number Of Connection Elements on Body (C)	1	
MALZEME Material	STEEL	

BEGA NUMARASI Bega No.	BG0414401	
ORJINAL NUMARASI Original No.	005 432 30 01	
PE NUMARASI PE No.	016.393-00A	
ÇAP (mm) Diameter (mm)	144	
HACİM (LİTRE) Capacity (Liter)	4	
TOPLAM UZUNLUK (mm.) Length (mm)	321	
MANŞON BAĞLANTISI Thread Connection	M22 X 1,5	
KAPAK BAĞLANTI ELEMAN SAYISI (A) Number Of Connection Elements on Each Side Length (A)	1	
KAPAK BAĞLANTI ELEMAN SAYISI (B) Number Of Connection Elements on Each Side Length (B)	1	
GÖVDE BAĞLANTI ELEMAN SAYISI (C) Number Of Connection Elements on Body (C)	1	
MALZEME Material	STEEL	



Özellikler;
(Features)

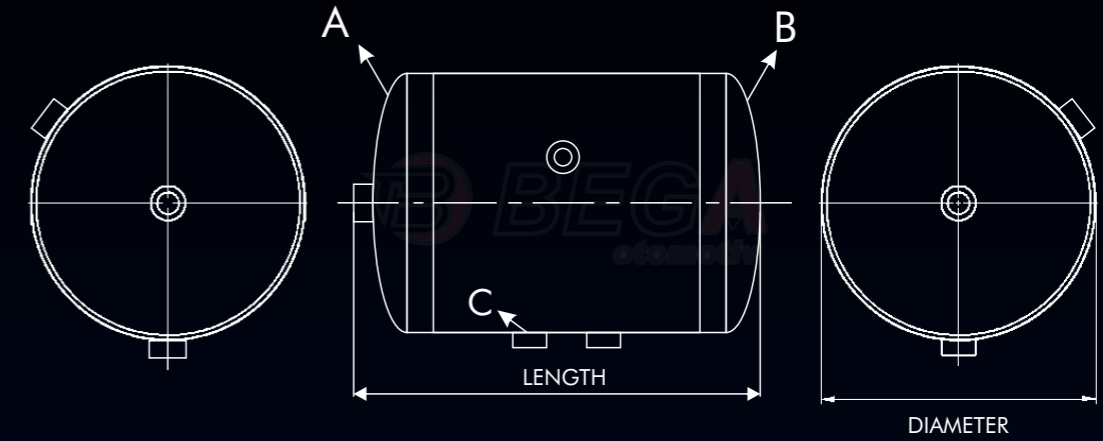
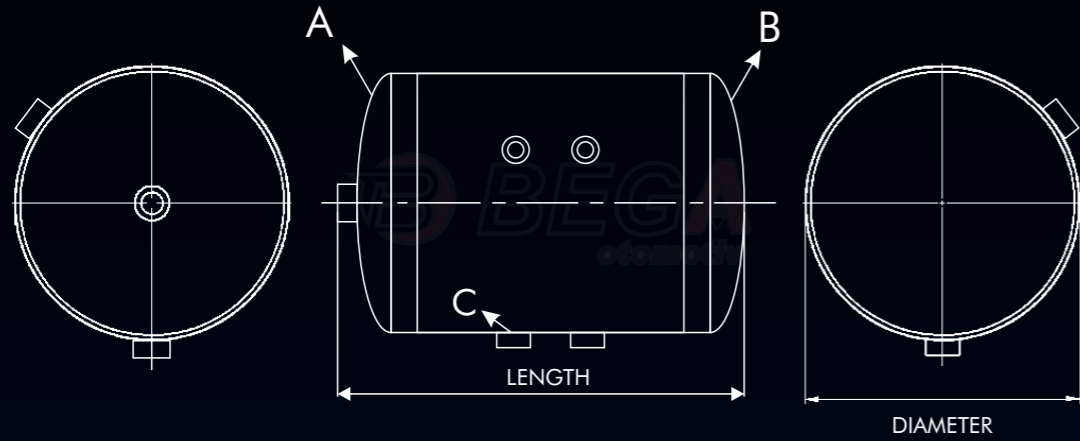
BEGA NUMARASI Bega No.	BG1020603	
ORJINAL NUMARASI Original No.	003 432 08 01	
PE NUMARASI PE No.	016.394-00A	
ÇAP (mm) Diameter (mm)	206	
HACİM (LİTRE) Capacity (Liter)	10	
TOPLAM UZUNLUK (mm.) Length (mm)	371	
MANŞON BAĞLANTISI Thread Connection	M22 X 1,5	
KAPAK BAĞLANTI ELEMAN SAYISI (A) Number Of Connection Elements on Each Side Length (A)	2 (120 mm.)	
KAPAK BAĞLANTI ELEMAN SAYISI (B) Number Of Connection Elements on Each Side Length (B)	1	
GÖVDE BAĞLANTI ELEMAN SAYISI (C) Number Of Connection Elements on Body (C)	1	
MALZEME Material	STEEL	



Özellikler;
(Features)

BEGA NUMARASI Bega No.	BG1020604	
ORJINAL NUMARASI Original No.	668 432 06 01	
PE NUMARASI PE No.	016.395-00A	
ÇAP (mm) Diameter (mm)	206	
HACİM (LİTRE) Capacity (Liter)	10	
TOPLAM UZUNLUK (mm.) Length (mm)	365	
MANŞON BAĞLANTISI Thread Connection	M22 X 1,5	
KAPAK BAĞLANTI ELEMAN SAYISI (A) Number Of Connection Elements on Each Side Length (A)	2 (120 mm.)	
KAPAK BAĞLANTI ELEMAN SAYISI (B) Number Of Connection Elements on Each Side Length (B)	1	
GÖVDE BAĞLANTI ELEMAN SAYISI (C) Number Of Connection Elements on Body (C)	1	
MALZEME Material	STEEL	

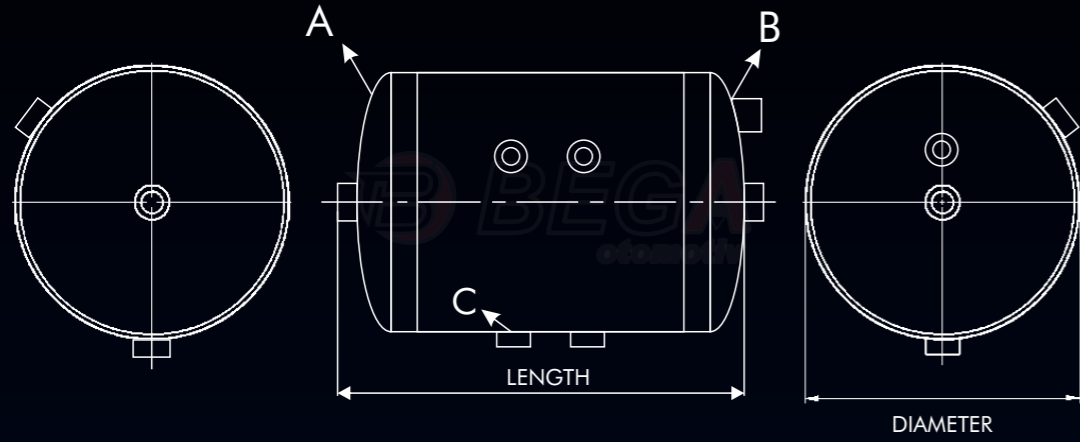



Özellikler;
(Features)

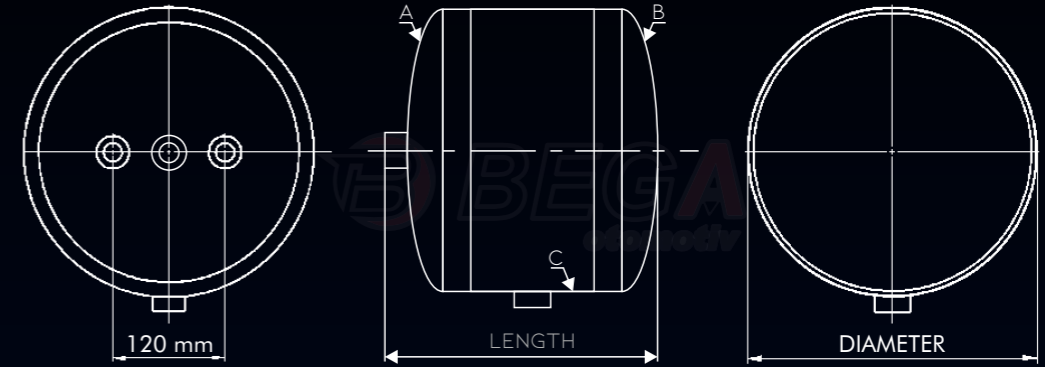
Özellikler;
(Features)

BEGA NUMARASI Bega No.	BG4032000	
ORJINAL NUMARASI Original No.	5010 525 449	
PE NUMARASI PE No.	256.500-00A	
ÇAP (mm) Diameter (mm)	320	
HACİM (LİTRE) Capacity (Liter)	40	
TOPLAM UZUNLUK (mm.) Length (mm)	586	
MANŞON BAĞLANTISI Thread Connection	M22 X 1,5	
KAPAK BAĞLANTI ELEMAN SAYISI (A) Number Of Connection Elements on Each Side Length (A)	1	
KAPAK BAĞLANTI ELEMAN SAYISI (B) Number Of Connection Elements on Each Side Length (B)	0	
GÖVDE BAĞLANTI ELEMAN SAYISI (C) Number Of Connection Elements on Body (C)	4	
MALZEME Material	STEEL	

BEGA NUMARASI Bega No.	BG3025000	
ORJINAL NUMARASI Original No.	5010 525 447	
PE NUMARASI PE No.	256.501-00A	
ÇAP (mm) Diameter (mm)	250	
HACİM (LİTRE) Capacity (Liter)	30	
TOPLAM UZUNLUK (mm.) Length (mm)	708	
MANŞON BAĞLANTISI Thread Connection	M22 X 1,5	
KAPAK BAĞLANTI ELEMAN SAYISI (A) Number Of Connection Elements on Each Side Length (A)	1	
KAPAK BAĞLANTI ELEMAN SAYISI (B) Number Of Connection Elements on Each Side Length (B)	1	
GÖVDE BAĞLANTI ELEMAN SAYISI (C) Number Of Connection Elements on Body (C)	2	
MALZEME Material	STEEL	

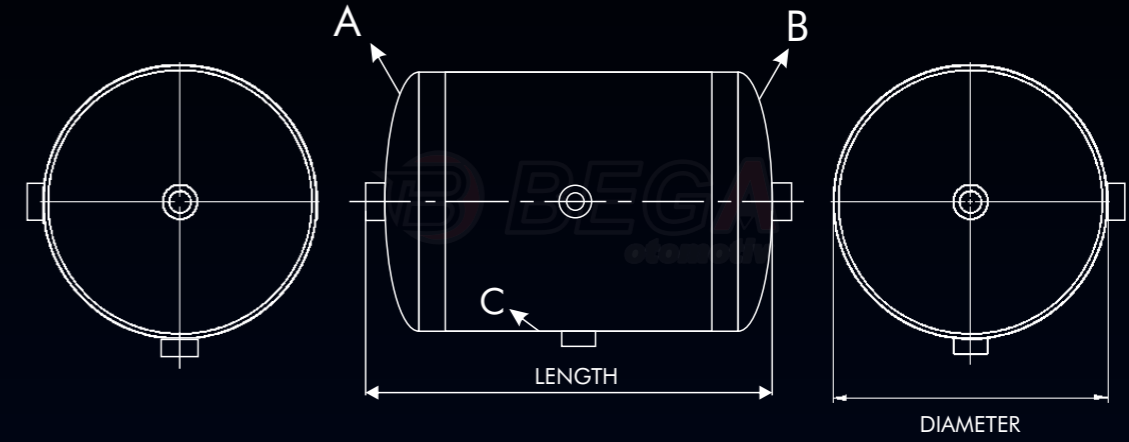
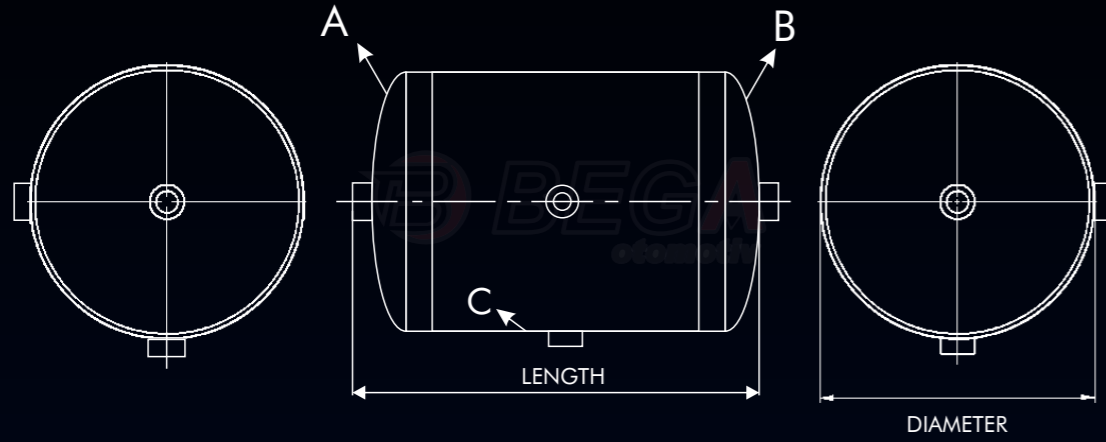

Özellikler;
(Features)

BEGA NUMARASI Bega No.	BG3025001	
ORJINAL NUMARASI Original No.	5010 525 446	
PE NUMARASI PE No.	256.502-00A	
ÇAP (mm) Diameter (mm)	250	
HACİM (LİTRE) Capacity (Liter)	30	
TOPLAM UZUNLUK (mm.) Length (mm)	718	
MANŞON BAĞLANTISI Thread Connection	M22 X 1,5	
KAPAK BAĞLANTI ELEMAN SAYISI (A) Number Of Connection Elements on Each Side Length (A)	1	
KAPAK BAĞLANTI ELEMAN SAYISI (B) Number Of Connection Elements on Each Side Length (B)	4	
GÖVDE BAĞLANTI ELEMAN SAYISI (C) Number Of Connection Elements on Body (C)	13	
MALZEME Material	STEEL	


Özellikler;
(Features)

BEGA NUMARASI Bega No.	BG1520000	
ORJINAL NUMARASI Original No.	5010 525 441	
PE NUMARASI PE No.	256.503-00A	
ÇAP (mm) Diameter (mm)	200	
HACİM (LİTRE) Capacity (Liter)	15	
TOPLAM UZUNLUK (mm.) Length (mm)	550	
MANŞON BAĞLANTISI Thread Connection	M22 X 1,5	
KAPAK BAĞLANTI ELEMAN SAYISI (A) Number Of Connection Elements on Each Side Length (A)	0	
KAPAK BAĞLANTI ELEMAN SAYISI (B) Number Of Connection Elements on Each Side Length (B)	1	
GÖVDE BAĞLANTI ELEMAN SAYISI (C) Number Of Connection Elements on Body (C)	13	
MALZEME Material	STEEL	



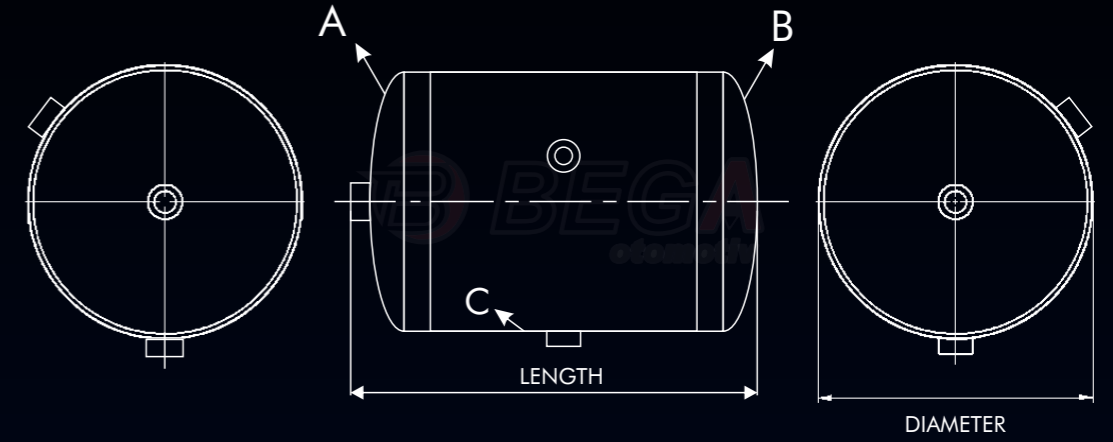
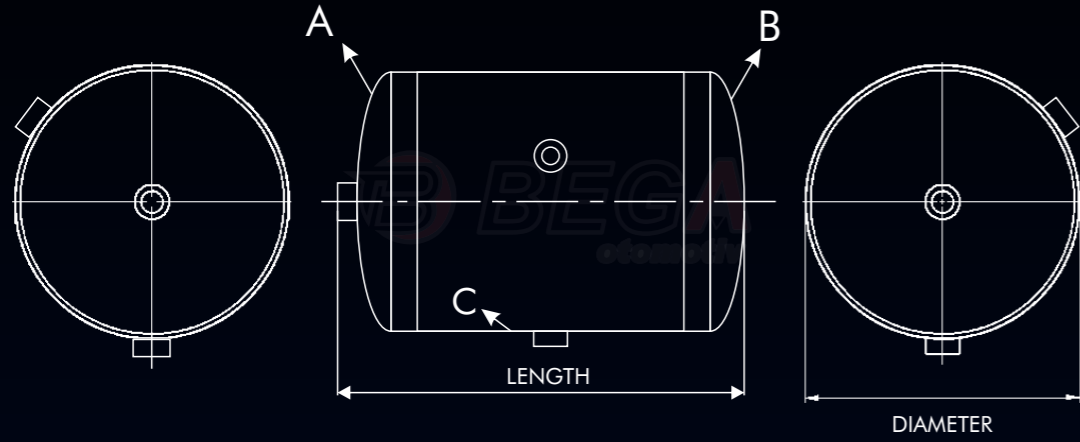

Özellikler;
(Features)

Özellikler;
(Features)

BEGA NUMARASI Bega No.	BG2025000	
ORJINAL NUMARASI Original No.	5010 525 442	
PE NUMARASI PE No.	256.504-00A	
ÇAP (mm) Diameter (mm)	250	
HACİM (LİTRE) Capacity (Liter)	20	
TOPLAM UZUNLUK (mm.) Length (mm)	490	
MANŞON BAĞLANTISI Thread Connection	M22 X 1,5	
KAPAK BAĞLANTI ELEMAN SAYISI (A) Number Of Connection Elements on Each Side Length (A)	1	
KAPAK BAĞLANTI ELEMAN SAYISI (B) Number Of Connection Elements on Each Side Length (B)	1	
GÖVDE BAĞLANTI ELEMAN SAYISI (C) Number Of Connection Elements on Body (C)	2	
MALZEME Material	STEEL	

BEGA NUMARASI Bega No.		
ORJINAL NUMARASI Original No.	5010 525 437	
PE NUMARASI PE No.	256.505-00A	
ÇAP (mm) Diameter (mm)	200	
HACİM (LİTRE) Capacity (Liter)	15	
TOPLAM UZUNLUK (mm.) Length (mm)	573	
MANŞON BAĞLANTISI Thread Connection	M22 X 1,5	
KAPAK BAĞLANTI ELEMAN SAYISI (A) Number Of Connection Elements on Each Side Length (A)	1	
KAPAK BAĞLANTI ELEMAN SAYISI (B) Number Of Connection Elements on Each Side Length (B)	1	
GÖVDE BAĞLANTI ELEMAN SAYISI (C) Number Of Connection Elements on Body (C)	2	
MALZEME Material	STEEL	

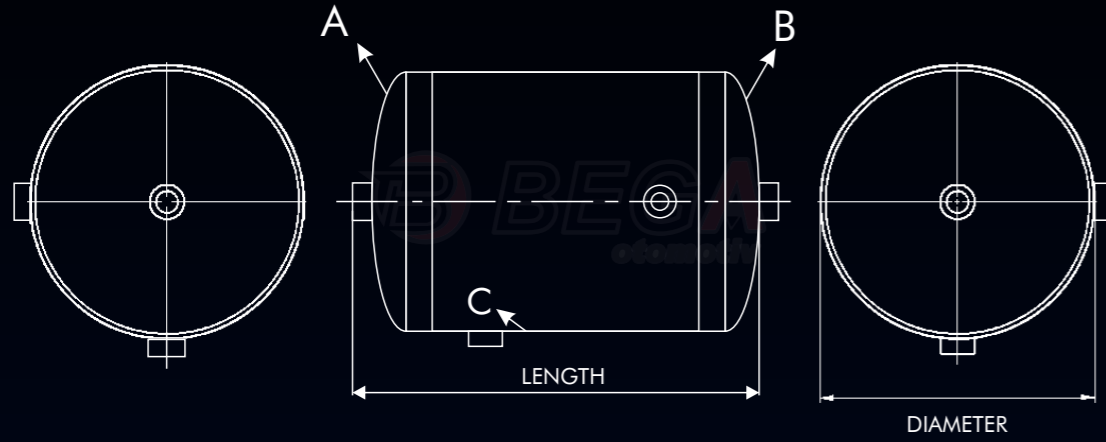



Özellikler;
(Features)

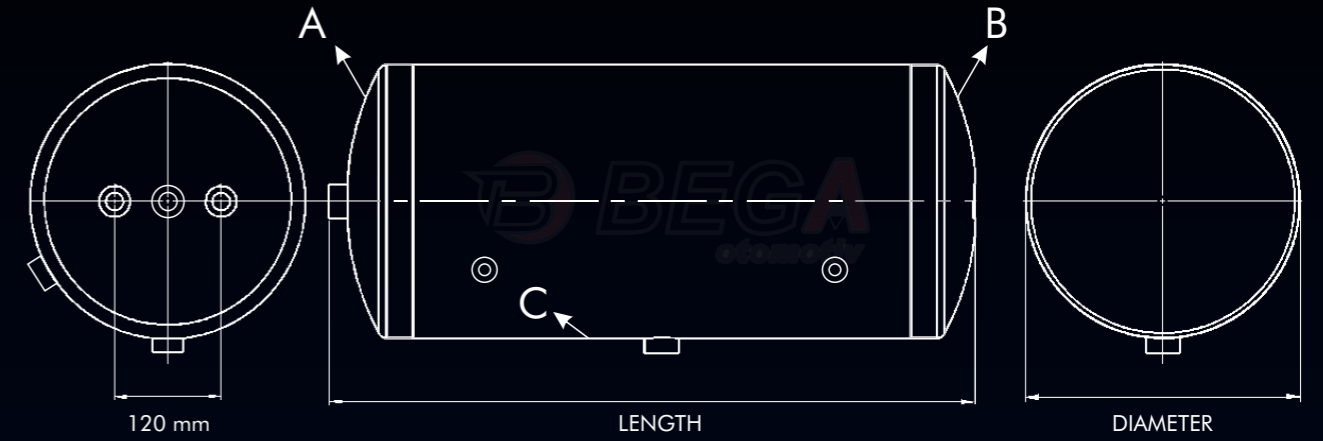
BEGA NUMARASI Bega No.	BG3032000	
ORJINAL NUMARASI Original No.	5010 525 419	
PE NUMARASI PE No.	256.506-00A	
ÇAP (mm) Diameter (mm)	320	
HACİM (LİTRE) Capacity (Liter)	30	
TOPLAM UZUNLUK (mm.) Length (mm)	464	
MANŞON BAĞLANTISI Thread Connection	M22 X 1,5	
KAPAK BAĞLANTI ELEMAN SAYISI (A) Number Of Connection Elements on Each Side Length (A)	1	
KAPAK BAĞLANTI ELEMAN SAYISI (B) Number Of Connection Elements on Each Side Length (B)	1	
GÖVDE BAĞLANTI ELEMAN SAYISI (C) Number Of Connection Elements on Body (C)	2	
MALZEME Material	STEEL	

Özellikler;
(Features)

BEGA NUMARASI Bega No.		
ORJINAL NUMARASI Original No.	5010 525 445	
PE NUMARASI PE No.	256.508-00A	
ÇAP (mm) Diameter (mm)	250	
HACİM (LİTRE) Capacity (Liter)	25	
TOPLAM UZUNLUK (mm.) Length (mm)	610	
MANŞON BAĞLANTISI Thread Connection	M22 X 1,5	
KAPAK BAĞLANTI ELEMAN SAYISI (A) Number Of Connection Elements on Each Side Length (A)	1	
KAPAK BAĞLANTI ELEMAN SAYISI (B) Number Of Connection Elements on Each Side Length (B)	1	
GÖVDE BAĞLANTI ELEMAN SAYISI (C) Number Of Connection Elements on Body (C)	2	
MALZEME Material	STEEL	

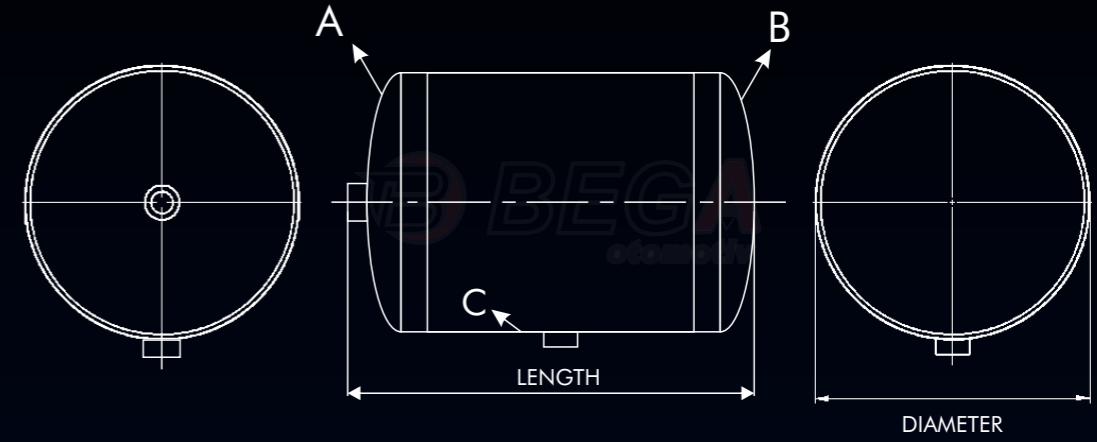
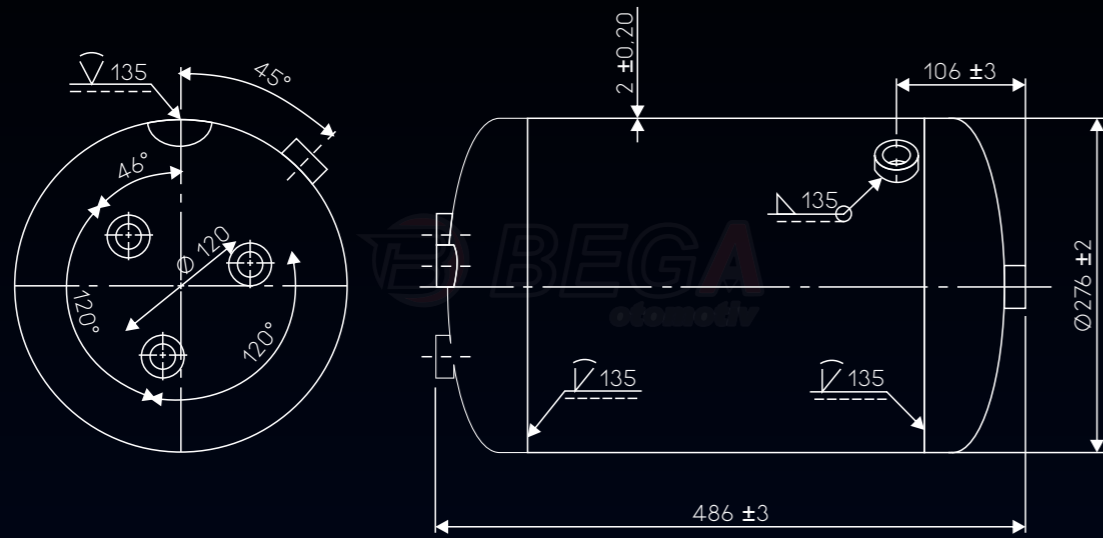

Özellikler;
(Features)

BEGA NUMARASI Bega No.	Bg3030000	
ORJINAL NUMARASI Original No.	5010 525 418	
PE NUMARASI PE No.	256.509-00A	
ÇAP (mm) Diameter (mm)	300	
HACİM (LİTRE) Capacity (Liter)	30	
TOPLAM UZUNLUK (mm.) Length (mm)	515	
MANŞON BAĞLANTISI Thread Connection	M22 X 1,5	
KAPAK BAĞLANTI ELEMAN SAYISI (A) Number Of Connection Elements on Each Side Length (A)	1	
KAPAK BAĞLANTI ELEMAN SAYISI (B) Number Of Connection Elements on Each Side Length (B)	1	
GÖVDE BAĞLANTI ELEMAN SAYISI (C) Number Of Connection Elements on Body (C)	2	
MALZEME Material	STEEL	


Özellikler;
(Features)

BEGA NUMARASI Bega No.	BG4027606	
ORJINAL NUMARASI Original No.	5010 525 149	
PE NUMARASI PE No.	256.510-00A	
ÇAP (mm) Diameter (mm)	276	
HACİM (LİTRE) Capacity (Liter)	40	
TOPLAM UZUNLUK (mm.) Length (mm)	740	
MANŞON BAĞLANTISI Thread Connection	M22 X 1,5	
KAPAK BAĞLANTI ELEMAN SAYISI (A) Number Of Connection Elements on Each Side Length (A)	3 (120 mm.)	
KAPAK BAĞLANTI ELEMAN SAYISI (B) Number Of Connection Elements on Each Side Length (B)	0	
GÖVDE BAĞLANTI ELEMAN SAYISI (C) Number Of Connection Elements on Body (C)	3	
MALZEME Material	STEEL	

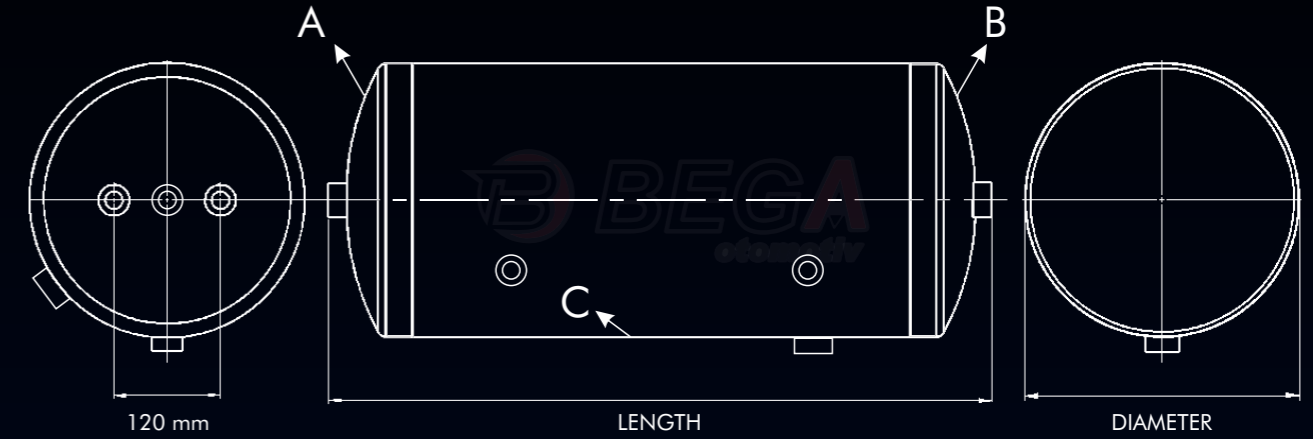
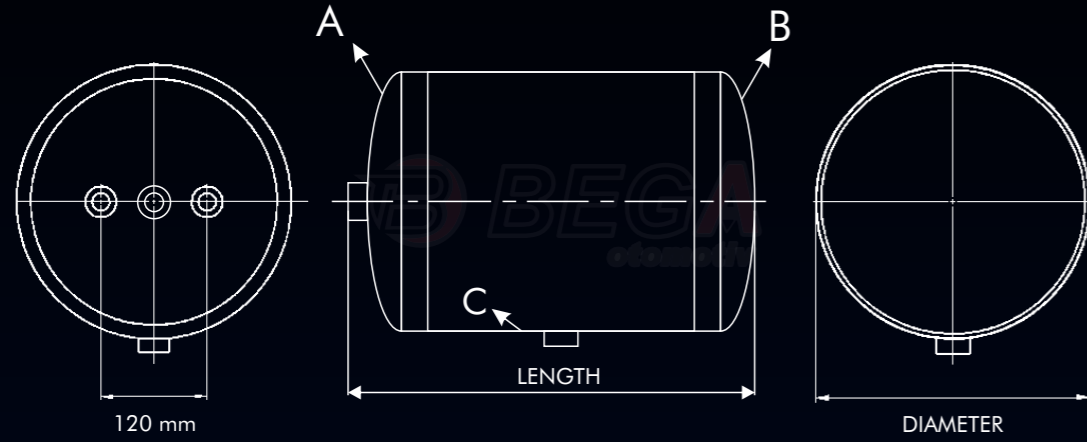



Özellikler;
(Features)

Özellikler;
(Features)

BEGA NUMARASI Bega No.		
ORJINAL NUMARASI Original No.	7420 579 604	
PE NUMARASI PE No.	256.511-00A	
ÇAP (mm) Diameter (mm)	276	
HACİM (LİTRE) Capacity (Liter)	25	
TOPLAM UZUNLUK (mm.) Length (mm)	486	
MANŞON BAĞLANTISI Thread Connection	M22 X 1,5	
KAPAK BAĞLANTI ELEMAN SAYISI (A) Number Of Connection Elements on Each Side Length (A)	3	
KAPAK BAĞLANTI ELEMAN SAYISI (B) Number Of Connection Elements on Each Side Length (B)	1	
GÖVDE BAĞLANTI ELEMAN SAYISI (C) Number Of Connection Elements on Body (C)	1	
MALZEME Material	STEEL	

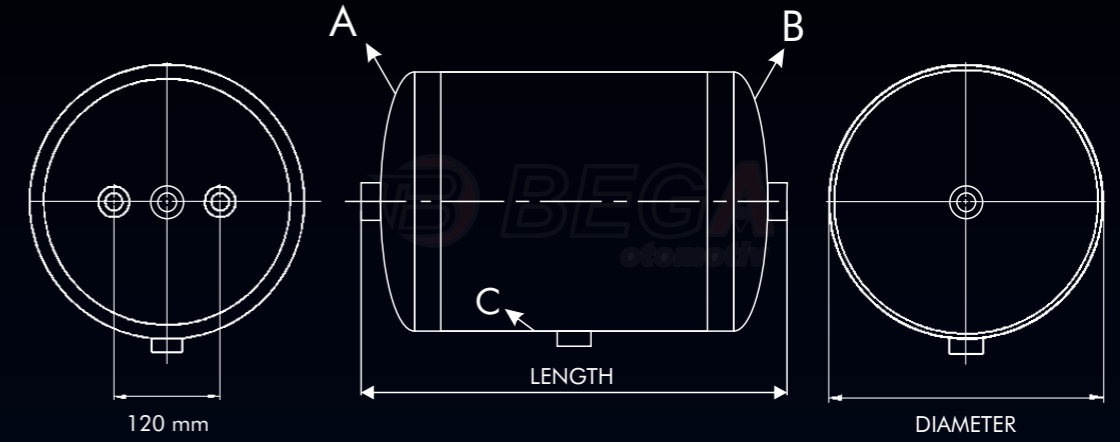
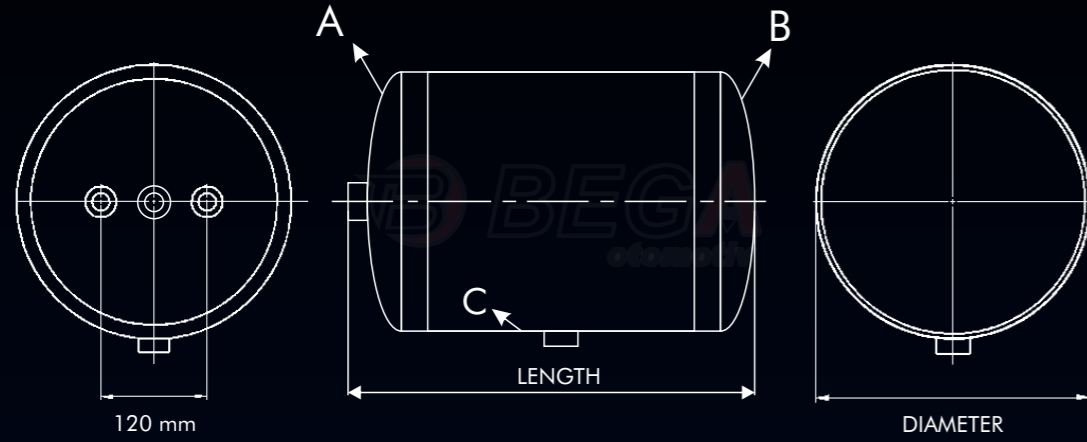
BEGA NUMARASI Bega No.	BG1520607	
ORJINAL NUMARASI Original No.	7420 904 405	
PE NUMARASI PE No.	256.512-00A	
ÇAP (mm) Diameter (mm)	206	
HACİM (LİTRE) Capacity (Liter)	15	
TOPLAM UZUNLUK (mm.) Length (mm)	550	
MANŞON BAĞLANTISI Thread Connection	M22 X 1,5	
KAPAK BAĞLANTI ELEMAN SAYISI (A) Number Of Connection Elements on Each Side Length (A)	3 (120 mm.)	
KAPAK BAĞLANTI ELEMAN SAYISI (B) Number Of Connection Elements on Each Side Length (B)	0	
GÖVDE BAĞLANTI ELEMAN SAYISI (C) Number Of Connection Elements on Body (C)	1	
MALZEME Material	STEEL	


Özellikler;
(Features)

Özellikler;
(Features)

BEGA NUMARASI Bega No.	BG2524608	
ORJINAL NUMARASI Original No.	7420 904 407	
PE NUMARASI PE No.	256.513-00A	
ÇAP (mm) Diameter (mm)	246	
HACİM (LİTRE) Capacity (Liter)	25	
TOPLAM UZUNLUK (mm.) Length (mm)	605	
MANŞON BAĞLANTISI Thread Connection	M22 X 1,5	
KAPAK BAĞLANTI ELEMAN SAYISI (A) Number Of Connection Elements on Each Side Length (A)	3 (120 mm.)	
KAPAK BAĞLANTI ELEMAN SAYISI (B) Number Of Connection Elements on Each Side Length (B)	0	
GÖVDE BAĞLANTI ELEMAN SAYISI (C) Number Of Connection Elements on Body (C)	1	
MALZEME Material	STEEL	

BEGA NUMARASI Bega No.	BG4027607	
ORJINAL NUMARASI Original No.	7420 904 411	
PE NUMARASI PE No.	256.514-00A	
ÇAP (mm) Diameter (mm)	276	
HACİM (LİTRE) Capacity (Liter)	40	
TOPLAM UZUNLUK (mm.) Length (mm)	740	
MANŞON BAĞLANTISI Thread Connection	M22 X 1,5	
KAPAK BAĞLANTI ELEMAN SAYISI (A) Number Of Connection Elements on Each Side Length (A)	3 (120 mm.)	
KAPAK BAĞLANTI ELEMAN SAYISI (B) Number Of Connection Elements on Each Side Length (B)	0	
GÖVDE BAĞLANTI ELEMAN SAYISI (C) Number Of Connection Elements on Body (C)	3	
MALZEME Material	STEEL	

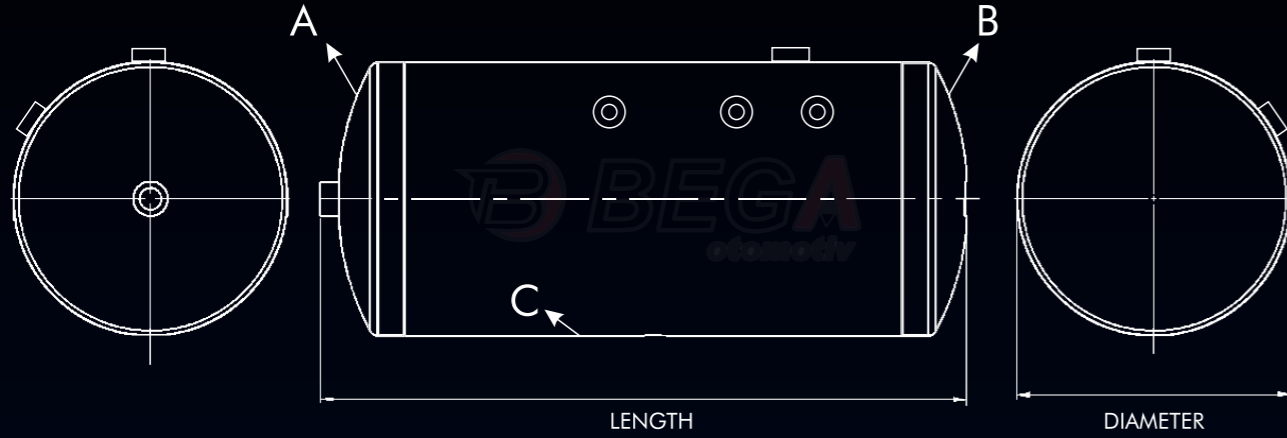


Özellikler; (Features)

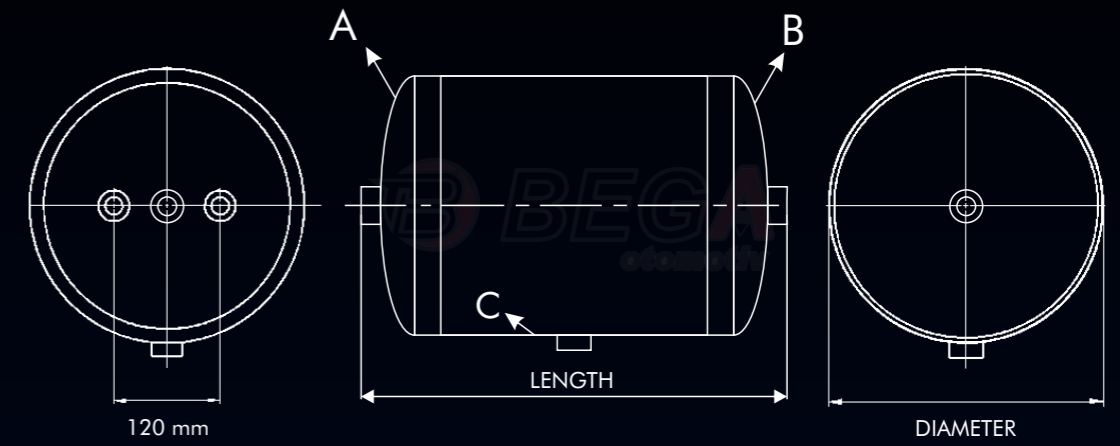
Özellikler; (Features)

BEGA NUMARASI Bega No.	BG3027607	
ORJINAL NUMARASI Original No.	7420 904 408	
PE NUMARASI PE No.	256.515-00A	
ÇAP (mm) Diameter (mm)	276	
HACİM (LİTRE) Capacity (Liter)	30	
TOPLAM UZUNLUK (mm.) Length (mm)	585	
MANŞON BAĞLANTISI Thread Connection	M22 X 1,5	
KAPAK BAĞLANTI ELEMAN SAYISI (A) Number Of Connection Elements on Each Side Length (A)	3 (120 mm.)	
KAPAK BAĞLANTI ELEMAN SAYISI (B) Number Of Connection Elements on Each Side Length (B)	0	
GÖVDE BAĞLANTI ELEMAN SAYISI (C) Number Of Connection Elements on Body (C)	1	
MALZEME Material	STEEL	

BEGA NUMARASI Bega No.	BG1524603	
ORJINAL NUMARASI Original No.	7421 187 782	
PE NUMARASI PE No.	256.516-00A	
ÇAP (mm) Diameter (mm)	246	
HACİM (LİTRE) Capacity (Liter)	15	
TOPLAM UZUNLUK (mm.) Length (mm)	385	
MANŞON BAĞLANTISI Thread Connection	M22 X 1,5	
KAPAK BAĞLANTI ELEMAN SAYISI (A) Number Of Connection Elements on Each Side Length (A)	3 (120 mm.)	
KAPAK BAĞLANTI ELEMAN SAYISI (B) Number Of Connection Elements on Each Side Length (B)	1	
GÖVDE BAĞLANTI ELEMAN SAYISI (C) Number Of Connection Elements on Body (C)	1	
MALZEME Material	STEEL	

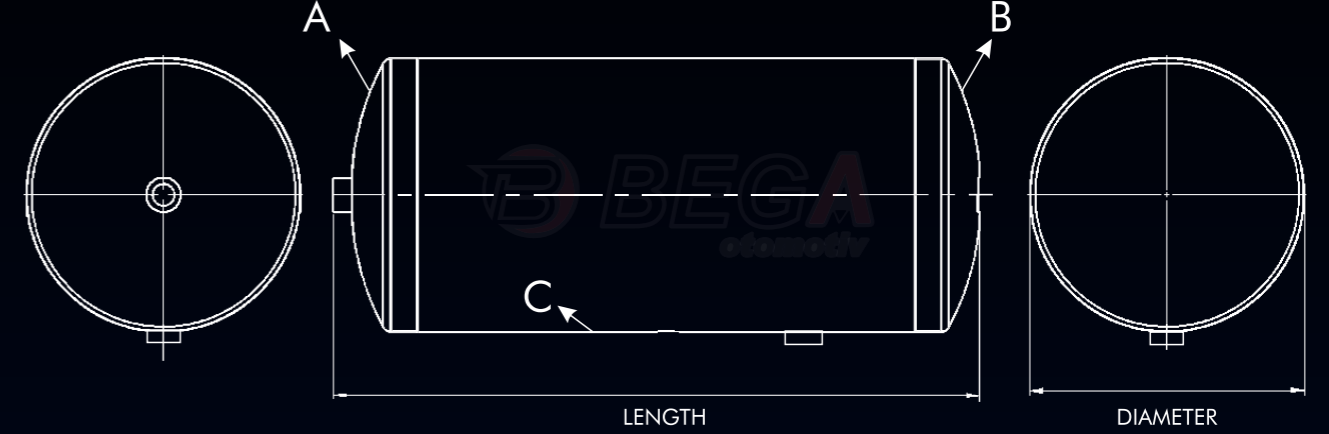
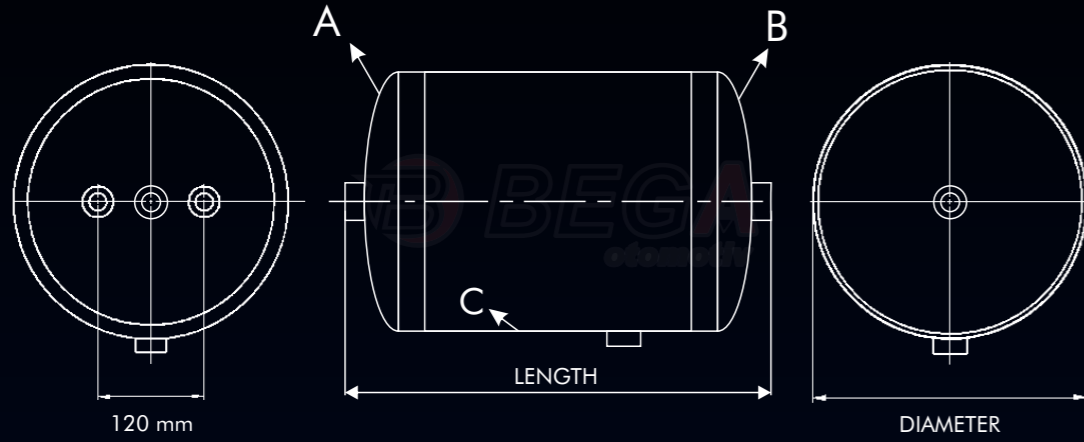

Özellikler;
(Features)

BEGA NUMARASI Bega No.	BG3827600	
ORJINAL NUMARASI Original No.	7421 187 793	
PE NUMARASI PE No.	256.517-00A	
ÇAP (mm) Diameter (mm)	276	
HACİM (LİTRE) Capacity (Liter)	38	
TOPLAM UZUNLUK (mm.) Length (mm)	710	
MANŞON BAĞLANTISI Thread Connection	M22 X 1,5	
KAPAK BAĞLANTI ELEMAN SAYISI (A) Number Of Connection Elements on Each Side Length (A)	1	
KAPAK BAĞLANTI ELEMAN SAYISI (B) Number Of Connection Elements on Each Side Length (B)	0	
GÖVDE BAĞLANTI ELEMAN SAYISI (C) Number Of Connection Elements on Body (C)	4	
MALZEME Material	STEEL	


Özellikler;
(Features)

BEGA NUMARASI Bega No.	BG3939600	
ORJINAL NUMARASI Original No.	7421 187 795	
PE NUMARASI PE No.	256.518-00A	
ÇAP (mm) Diameter (mm)	396	
HACİM (LİTRE) Capacity (Liter)	39	
TOPLAM UZUNLUK (mm.) Length (mm)	417	
MANŞON BAĞLANTISI Thread Connection	M22 X 1,5	
KAPAK BAĞLANTI ELEMAN SAYISI (A) Number Of Connection Elements on Each Side Length (A)	3 (120 mm.)	
KAPAK BAĞLANTI ELEMAN SAYISI (B) Number Of Connection Elements on Each Side Length (B)	1	
GÖVDE BAĞLANTI ELEMAN SAYISI (C) Number Of Connection Elements on Body (C)	1	
MALZEME Material	STEEL	



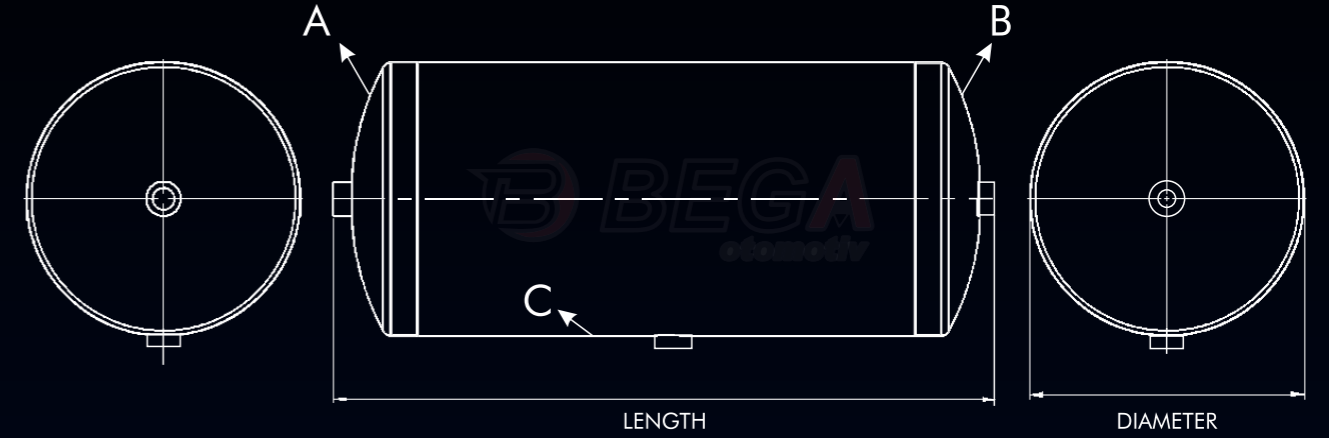
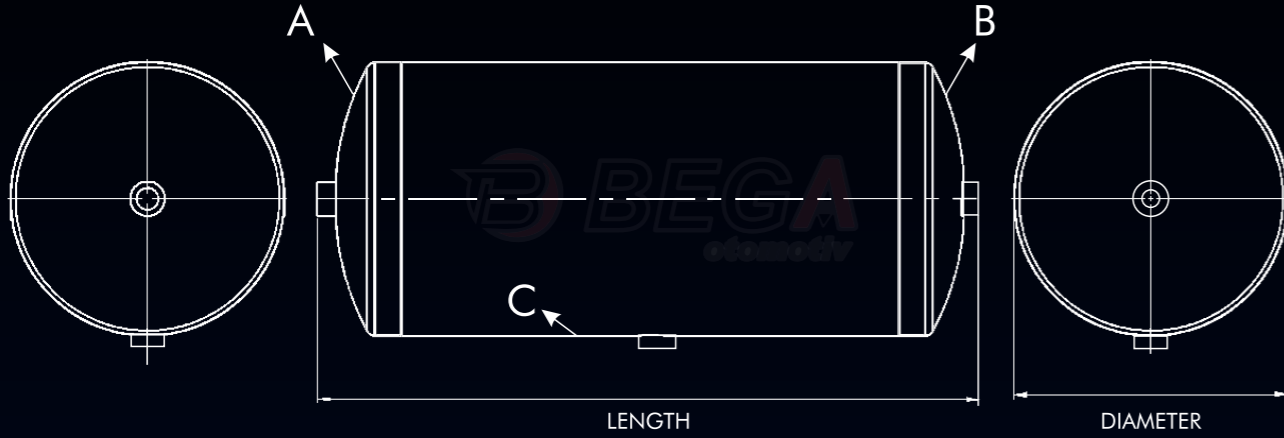


Özellikler; (Features)

Özellikler; (Features)

BEGA NUMARASI Bega No.	BG2527605	
ORJINAL NUMARASI Original No.	7421 187 789	
PE NUMARASI PE No.	256.519-00A	
ÇAP (mm) Diameter (mm)	276	
HACİM (LİTRE) Capacity (Liter)	25	
TOPLAM UZUNLUK (mm.) Length (mm)	501	
MANŞON BAĞLANTISI Thread Connection	M22 X 1,5	
KAPAK BAĞLANTI ELEMAN SAYISI (A) Number Of Connection Elements on Each Side Length (A)	3 (120 mm.)	
KAPAK BAĞLANTI ELEMAN SAYISI (B) Number Of Connection Elements on Each Side Length (B)	1	
GÖVDE BAĞLANTI ELEMAN SAYISI (C) Number Of Connection Elements on Body (C)	1	
MALZEME Material	STEEL	

BEGA NUMARASI Bega No.		
ORJINAL NUMARASI Original No.	1 792 544	
PE NUMARASI PE No.	126.240-00A	
ÇAP (mm) Diameter (mm)	206	
HACİM (LİTRE) Capacity (Liter)	15	
TOPLAM UZUNLUK (mm.) Length (mm)	510	
MANŞON BAĞLANTISI Thread Connection	M22 X 1,5	
KAPAK BAĞLANTI ELEMAN SAYISI (A) Number Of Connection Elements on Each Side Length (A)	1	
KAPAK BAĞLANTI ELEMAN SAYISI (B) Number Of Connection Elements on Each Side Length (B)	0	
GÖVDE BAĞLANTI ELEMAN SAYISI (C) Number Of Connection Elements on Body (C)	1	
MALZEME Material	STEEL	

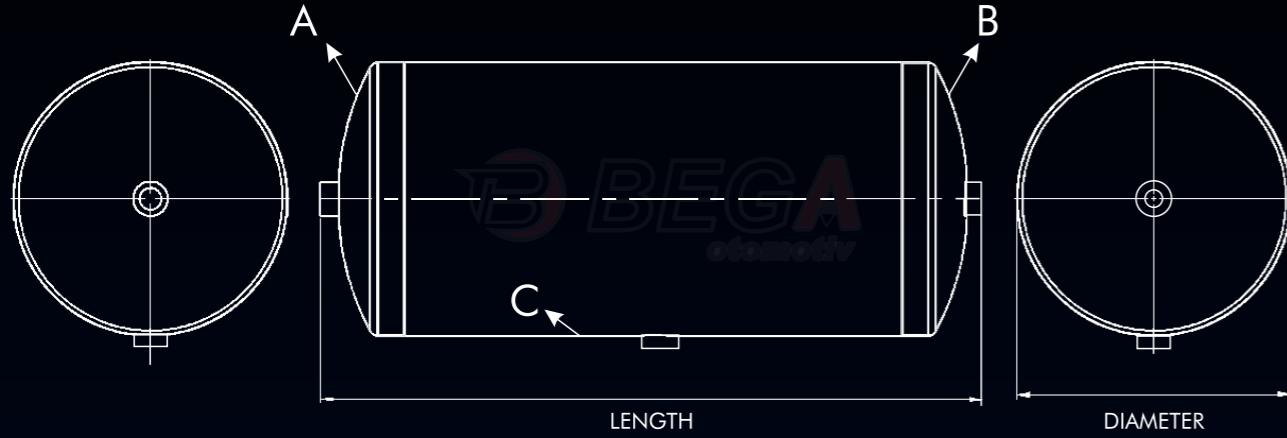


Özellikler; (Features)

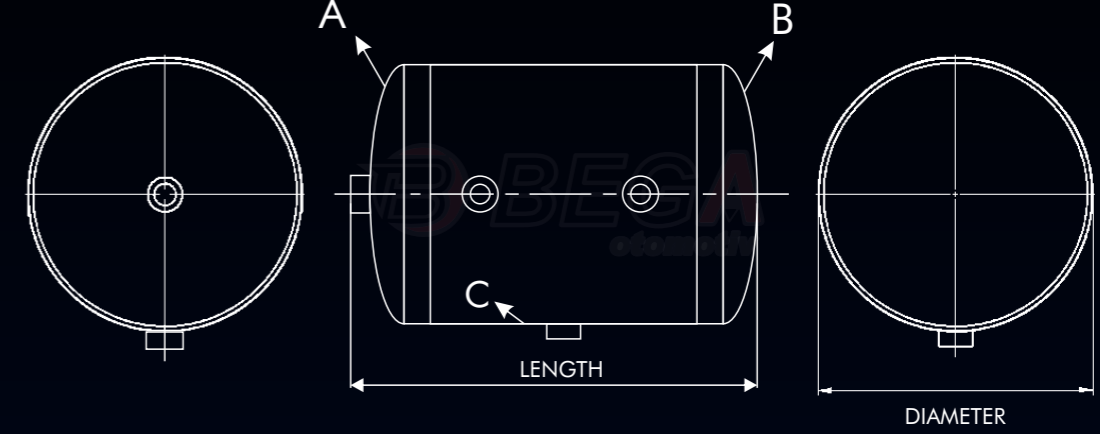
BEGA NUMARASI Bega No.	BG70415400	
ORJINAL NUMARASI Original No.	1 360 400	
PE NUMARASI PE No.	126.241-00A	
ÇAP (mm) Diameter (mm)	154	
HACİM (LİTRE) Capacity (Liter)	7,4	
TOPLAM UZUNLUK (mm.) Length (mm)	486	
MANŞON BAĞLANTISI Thread Connection	M22 X 1,5	
KAPAK BAĞLANTI ELEMAN SAYISI (A) Number Of Connection Elements on Each Side Length (A)	1	
KAPAK BAĞLANTI ELEMAN SAYISI (B) Number Of Connection Elements on Each Side Length (B)	1	
GÖVDE BAĞLANTI ELEMAN SAYISI (C) Number Of Connection Elements on Body (C)	1	
MALZEME Material	STEEL	

Özellikler; (Features)

BEGA NUMARASI Bega No.		
ORJINAL NUMARASI Original No.	1 360 401	
PE NUMARASI PE No.	126.242-00A	
ÇAP (mm) Diameter (mm)	206	
HACİM (LİTRE) Capacity (Liter)	15	
TOPLAM UZUNLUK (mm.) Length (mm)	520	
MANŞON BAĞLANTISI Thread Connection	M22 X 1,5	
KAPAK BAĞLANTI ELEMAN SAYISI (A) Number Of Connection Elements on Each Side Length (A)	1	
KAPAK BAĞLANTI ELEMAN SAYISI (B) Number Of Connection Elements on Each Side Length (B)	1	
GÖVDE BAĞLANTI ELEMAN SAYISI (C) Number Of Connection Elements on Body (C)	1	
MALZEME Material	STEEL	

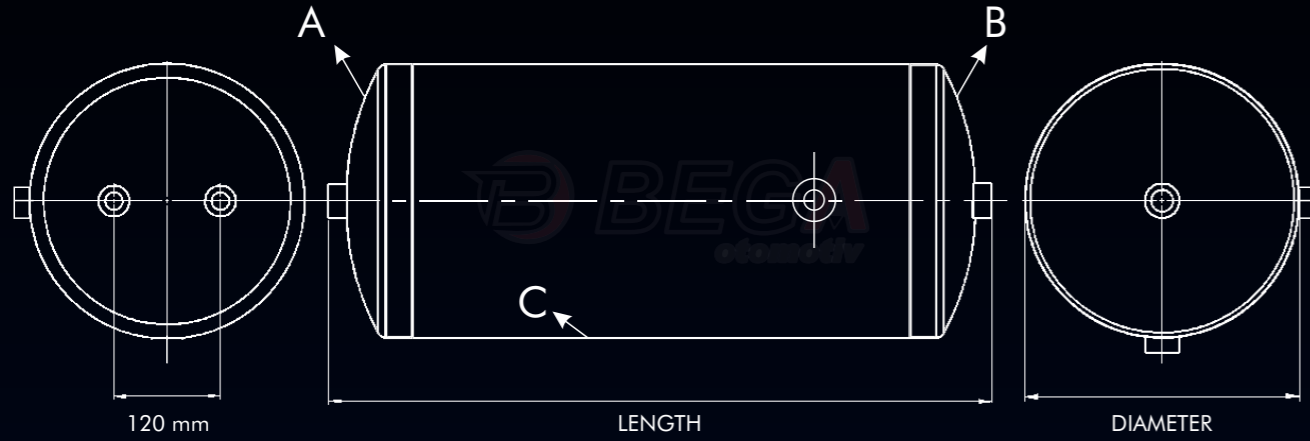

Özellikler;
(Features)

BEGA NUMARASI Bega No.	BG1520604	
ORJINAL NUMARASI Original No.	1 445 452	
PE NUMARASI PE No.	126.243-00A	
ÇAP (mm) Diameter (mm)	206	
HACİM (LİTRE) Capacity (Liter)	15	
TOPLAM UZUNLUK (mm.) Length (mm)	515	
MANŞON BAĞLANTISI Thread Connection	M22 X 1,5	
KAPAK BAĞLANTI ELEMAN SAYISI (A) Number Of Connection Elements on Each Side Length (A)	1	
KAPAK BAĞLANTI ELEMAN SAYISI (B) Number Of Connection Elements on Each Side Length (B)	1	
GÖVDE BAĞLANTI ELEMAN SAYISI (C) Number Of Connection Elements on Body (C)	1	
MALZEME Material	STEEL	

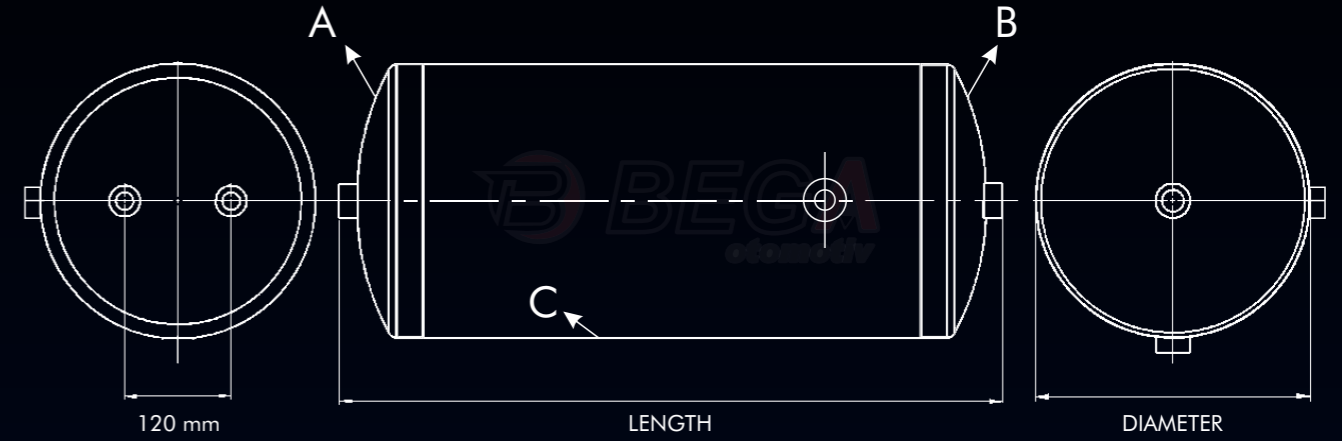

Özellikler;
(Features)

BEGA NUMARASI Bega No.		
ORJINAL NUMARASI Original No.	1 448 884	
PE NUMARASI PE No.	126.245-00A	
ÇAP (mm) Diameter (mm)	310	
HACİM (LİTRE) Capacity (Liter)	36	
TOPLAM UZUNLUK (mm.) Length (mm)	563	
MANŞON BAĞLANTISI Thread Connection	M22 X 1,5	
KAPAK BAĞLANTI ELEMAN SAYISI (A) Number Of Connection Elements on Each Side Length (A)	1	
KAPAK BAĞLANTI ELEMAN SAYISI (B) Number Of Connection Elements on Each Side Length (B)	0	
GÖVDE BAĞLANTI ELEMAN SAYISI (C) Number Of Connection Elements on Body (C)	3	
MALZEME Material	STEEL	



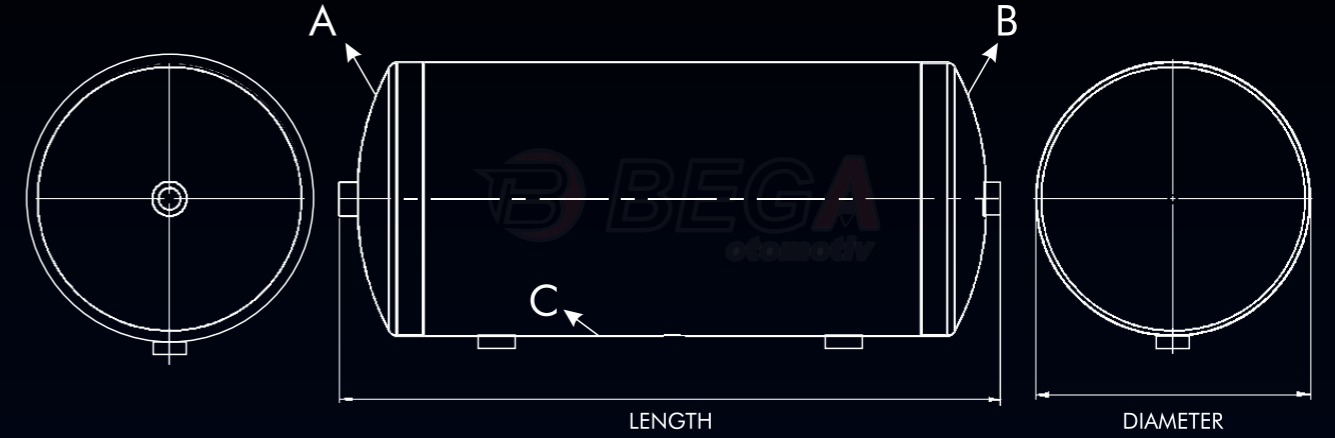
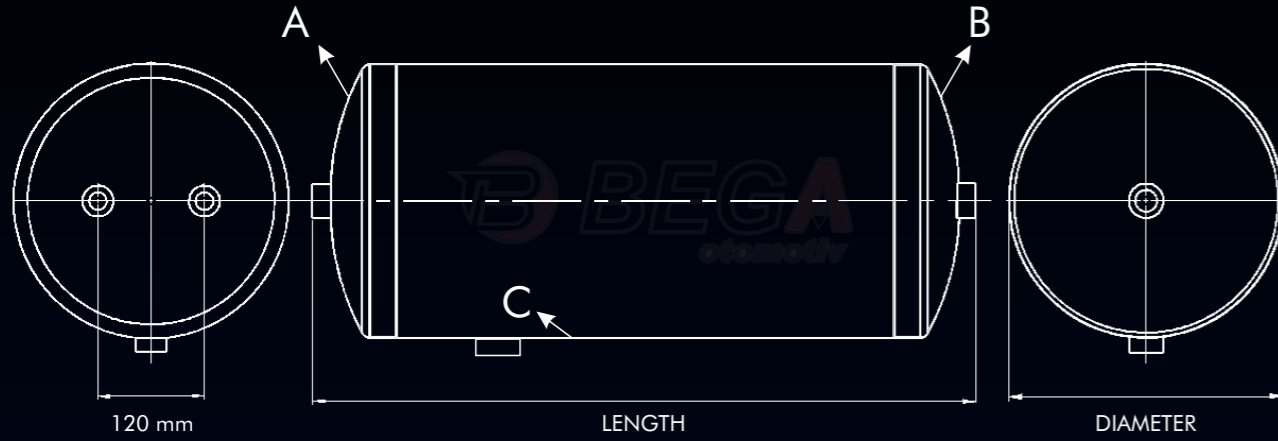

Özellikler;
(Features)

BEGA NUMARASI Bega No.		
ORJINAL NUMARASI Original No.	1 448 883	
PE NUMARASI PE No.	126.246-00A	
ÇAP (mm) Diameter (mm)	276	
HACİM (LİTRE) Capacity (Liter)	20	
TOPLAM UZUNLUK (mm.) Length (mm)	430	
MANŞON BAĞLANTISI Thread Connection	M22 X 1,5	
KAPAK BAĞLANTI ELEMAN SAYISI (A) Number Of Connection Elements on Each Side Length (A)	2 (120 mm.)	
KAPAK BAĞLANTI ELEMAN SAYISI (B) Number Of Connection Elements on Each Side Length (B)	1	
GÖVDE BAĞLANTI ELEMAN SAYISI (C) Number Of Connection Elements on Body (C)	1	
MALZEME Material	STEEL	


Özellikler;
(Features)

BEGA NUMARASI Bega No.		
ORJINAL NUMARASI Original No.	1 357 950	
PE NUMARASI PE No.	126.247-00A	
ÇAP (mm) Diameter (mm)	276	
HACİM (LİTRE) Capacity (Liter)	30	
TOPLAM UZUNLUK (mm.) Length (mm)	571	
MANŞON BAĞLANTISI Thread Connection	M22 X 1,5	
KAPAK BAĞLANTI ELEMAN SAYISI (A) Number Of Connection Elements on Each Side Length (A)	2 (120 mm.)	
KAPAK BAĞLANTI ELEMAN SAYISI (B) Number Of Connection Elements on Each Side Length (B)	1	
GÖVDE BAĞLANTI ELEMAN SAYISI (C) Number Of Connection Elements on Body (C)	1	
MALZEME Material	STEEL	



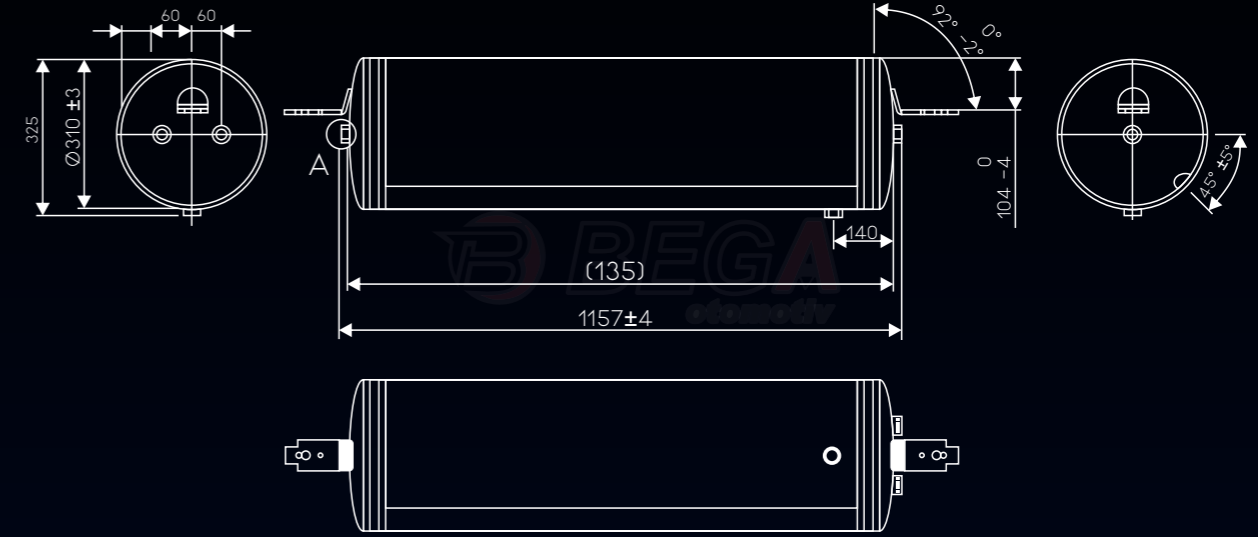
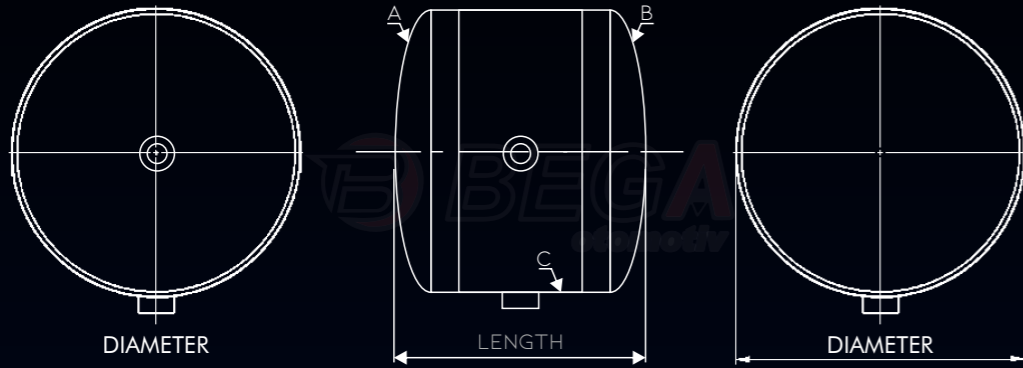


Özellikler; (Features)

BEGA NUMARASI Bega No.		
ORJINAL NUMARASI Original No.	469 210	
PE NUMARASI PE No.	126.248-00A	
ÇAP (mm) Diameter (mm)	276	
HACİM (LİTRE) Capacity (Liter)	22	
TOPLAM UZUNLUK (mm.) Length (mm)	440	
MANŞON BAĞLANTISI Thread Connection	M22 X 1,5	
KAPAK BAĞLANTI ELEMAN SAYISI (A) Number Of Connection Elements on Each Side Length (A)	2 (120 mm.)	
KAPAK BAĞLANTI ELEMAN SAYISI (B) Number Of Connection Elements on Each Side Length (B)	1	
GÖVDE BAĞLANTI ELEMAN SAYISI (C) Number Of Connection Elements on Body (C)	1	
MALZEME Material	STEEL	

Özellikler; (Features)

BEGA NUMARASI Bega No.		
ORJINAL NUMARASI Original No.	1 778 889	
PE NUMARASI PE No.	126.249-00A	
ÇAP (mm) Diameter (mm)	310	
HACİM (LİTRE) Capacity (Liter)	30	
TOPLAM UZUNLUK (mm.) Length (mm)	483	
MANŞON BAĞLANTISI Thread Connection	M22 X 1,5	
KAPAK BAĞLANTI ELEMAN SAYISI (A) Number Of Connection Elements on Each Side Length (A)	1	
KAPAK BAĞLANTI ELEMAN SAYISI (B) Number Of Connection Elements on Each Side Length (B)	0	
GÖVDE BAĞLANTI ELEMAN SAYISI (C) Number Of Connection Elements on Body (C)	2	
MALZEME Material	STEEL	



Özellikler;
(Features)

Özellikler;
(Features)

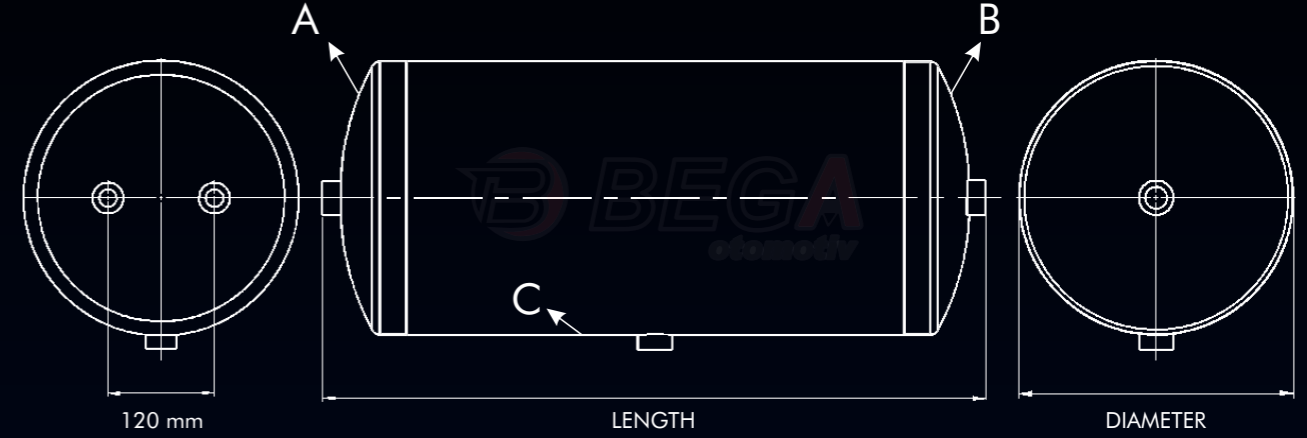
BEGA NUMARASI Bega No.		
ORJINAL NUMARASI Original No.	1 871 147	
PE NUMARASI PE No.	126.250-00A	
ÇAP (mm) Diameter (mm)	276	
HACİM (LİTRE) Capacity (Liter)	12	
TOPLAM UZUNLUK (mm.) Length (mm)	256	
MANŞON BAĞLANTISI Thread Connection	M22 X 1,5	
KAPAK BAĞLANTI ELEMAN SAYISI (A) Number Of Connection Elements on Each Side Length (A)	0	
KAPAK BAĞLANTI ELEMAN SAYISI (B) Number Of Connection Elements on Each Side Length (B)	0	
GÖVDE BAĞLANTI ELEMAN SAYISI (C) Number Of Connection Elements on Body (C)	2	
MALZEME Material	STEEL	

BEGA NUMARASI Bega No.	BG8031000	
ORJINAL NUMARASI Original No.	1 189 864	
PE NUMARASI PE No.	296.100-00A	
ÇAP (mm) Diameter (mm)	310	
HACİM (LİTRE) Capacity (Liter)	80	
TOPLAM UZUNLUK (mm.) Length (mm)	1157	
MANŞON BAĞLANTISI Thread Connection	M22 X 1,5	
KAPAK BAĞLANTI ELEMAN SAYISI (A) Number Of Connection Elements on Each Side Length (A)	2 (120 mm.)	
KAPAK BAĞLANTI ELEMAN SAYISI (B) Number Of Connection Elements on Each Side Length (B)	1	
GÖVDE BAĞLANTI ELEMAN SAYISI (C) Number Of Connection Elements on Body (C)	1	
MALZEME Material	STEEL	



Özellikler; (Features)

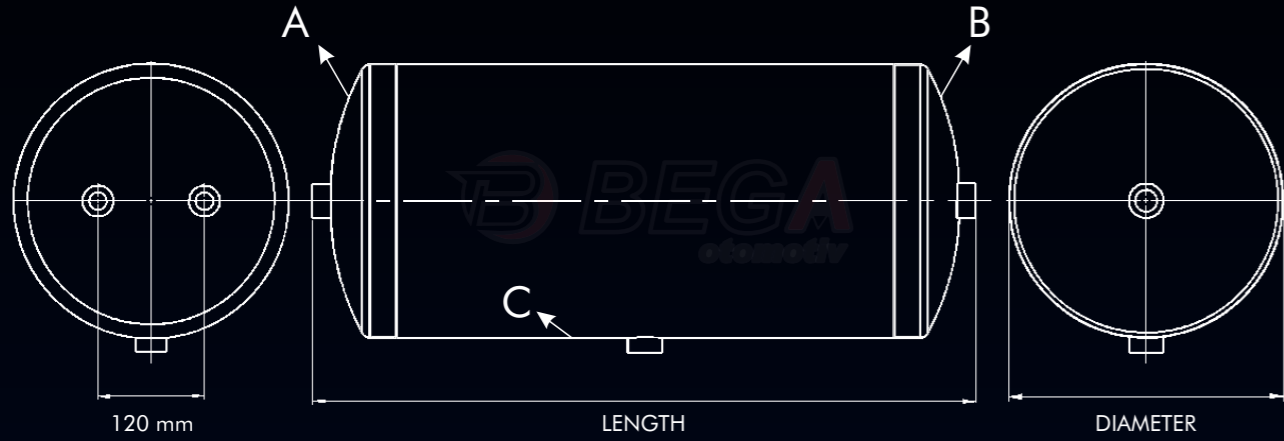
BEGA NUMARASI Bega No.	BG8039604	
ORJINAL NUMARASI Original No.	1 189 863	
PE NUMARASI PE No.	296.101-00A	
ÇAP (mm) Diameter (mm)	396	
HACİM (LİTRE) Capacity (Liter)	80	
TOPLAM UZUNLUK (mm.) Length (mm)	743	
MANŞON BAĞLANTISI Thread Connection	M22 X 1,5	
KAPAK BAĞLANTI ELEMAN SAYISI (A) Number Of Connection Elements on Each Side Length (A)	1	
KAPAK BAĞLANTI ELEMAN SAYISI (B) Number Of Connection Elements on Each Side Length (B)	0	
GÖVDE BAĞLANTI ELEMAN SAYISI (C) Number Of Connection Elements on Body (C)	10	
MALZEME Material	STEEL	



Özellikler; (Features)

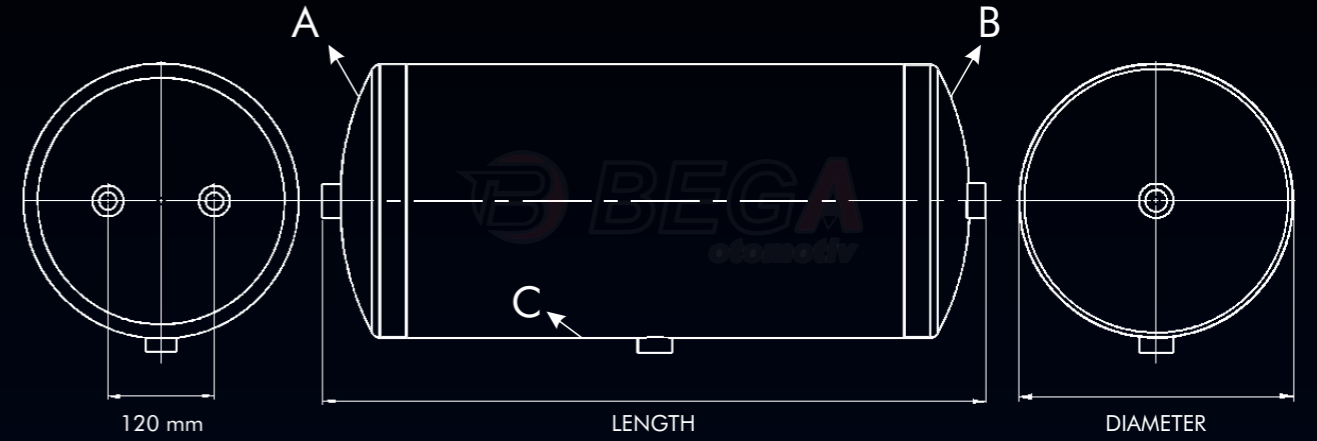
BEGA NUMARASI Bega No.	BG2020600	
ORJINAL NUMARASI Original No.	DAF 1505414, SAF 4005000200, FORD 76DB2L374C1A, MAN 81514010018 DAF ACH006 SAMPA 05000024, AUGER 21902, WABCO 4510203000, DT 570055, STELLOX8547502SX	
PE NUMARASI PE No.	076.450-00A	
ÇAP (mm) Diameter (mm)	206	
HACİM (LİTRE) Capacity (Liter)	20	
TOPLAM UZUNLUK (mm.) Length (mm)	660	
MANŞON BAĞLANTISI Thread Connection	M22 X 1,5	
KAPAK BAĞLANTI ELEMAN SAYISI (A) Number Of Connection Elements on Each Side Length (A)	2 (120 mm.)	
KAPAK BAĞLANTI ELEMAN SAYISI (B) Number Of Connection Elements on Each Side Length (B)	1	
GÖVDE BAĞLANTI ELEMAN SAYISI (C) Number Of Connection Elements on Body (C)	1	
MALZEME Material	STEEL	





Özellikler; (Features)

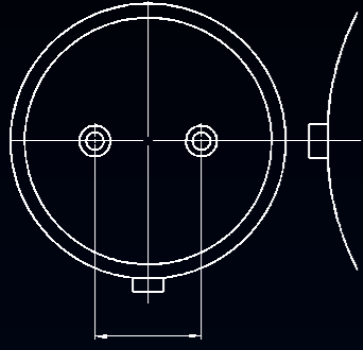
BEGA NUMARASI Bega No.	BG1020600	
ORJINAL NUMARASI Original No.	FORD 1.579.200, SAF 4 105 0001 00, SCANIA 1 935 523	
PE NUMARASI PE No.	076.450-10A	
ÇAP (mm) Diameter (mm)	206	
HACİM (LİTRE) Capacity (Liter)	10	
TOPLAM UZUNLUK (mm.) Length (mm)	355	
MANŞON BAĞLANTISI Thread Connection	M22 X 1,5	
KAPAK BAĞLANTI ELEMAN SAYISI (A) Number Of Connection Elements on Each Side Length (A)	2 (120 mm.)	
KAPAK BAĞLANTI ELEMAN SAYISI (B) Number Of Connection Elements on Each Side Length (B)	1	
GÖVDE BAĞLANTI ELEMAN SAYISI (C) Number Of Connection Elements on Body (C)	1	
MALZEME Material	STEEL	



Özellikler; (Features)

BEGA NUMARASI Bega No.	BG2020600	
ORJINAL NUMARASI Original No.	DAF 1 505 414, IVECO 249 715, RENAULT 7700 053 246, SCANIA 1 935 525	
PE NUMARASI PE No.	076.450-00A	
ÇAP (mm) Diameter (mm)	246	
HACİM (LİTRE) Capacity (Liter)	20	
TOPLAM UZUNLUK (mm.) Length (mm)	500	
MANŞON BAĞLANTISI Thread Connection	M22 X 1,5	
KAPAK BAĞLANTI ELEMAN SAYISI (A) Number Of Connection Elements on Each Side Length (A)	2 (120 mm.)	
KAPAK BAĞLANTI ELEMAN SAYISI (B) Number Of Connection Elements on Each Side Length (B)	1	
GÖVDE BAĞLANTI ELEMAN SAYISI (C) Number Of Connection Elements on Body (C)	1	
MALZEME Material	STEEL	





Özellikler; (Features)

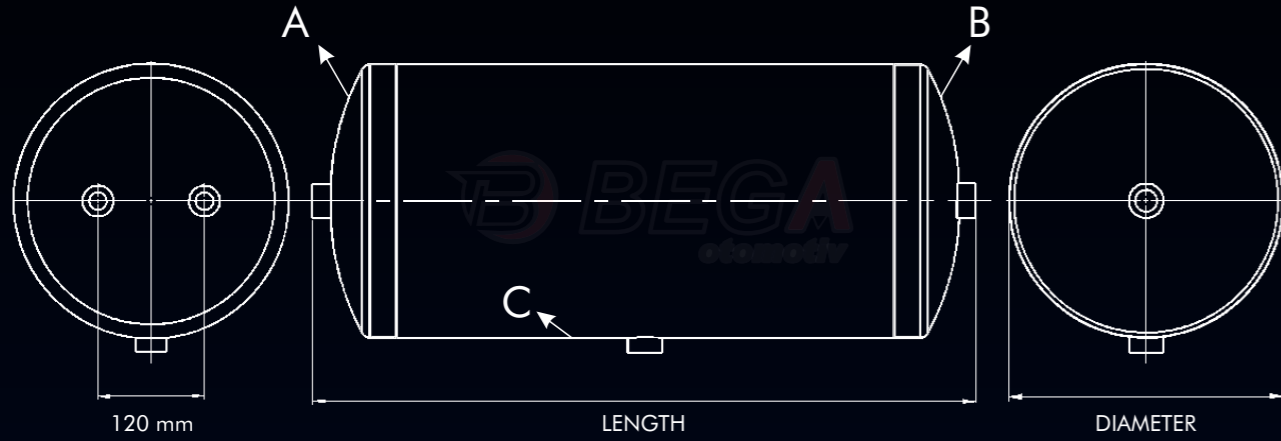
BEGA NUMARASI Bega No.	BG3024605	
ORJINAL NUMARASI Original No.	DAF 1 505 425, RENAULT 5021 170 368, IVECO 9846 1957	
PE NUMARASI PE No.	076.451-00A	
ÇAP (mm) Diameter (mm)	246	
HACİM (LİTRE) Capacity (Liter)	30	
TOPLAM UZUNLUK (mm.) Length (mm)	700	
MANŞON BAĞLANTISI Thread Connection	M22 X 1,5	
KAPAK BAĞLANTI ELEMAN SAYISI (A) Number Of Connection Elements on Each Side Length (A)	2 (120 mm.)	
KAPAK BAĞLANTI ELEMAN SAYISI (B) Number Of Connection Elements on Each Side Length (B)	1	
GÖVDE BAĞLANTI ELEMAN SAYISI (C) Number Of Connection Elements on Body (C)	1	
MALZEME Material	STEEL	



Özellikler; (Features)

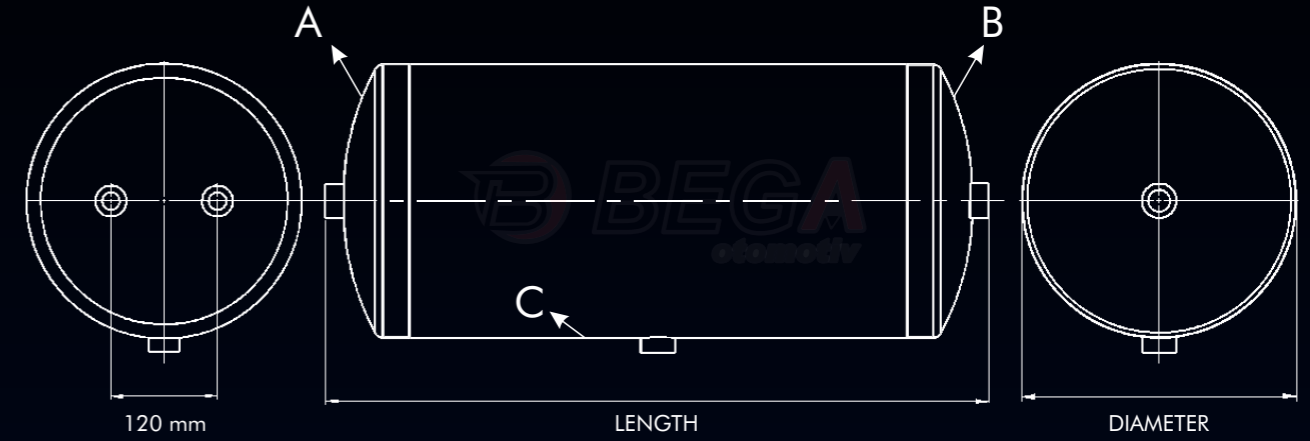
BEGA NUMARASI Bega No.		
ORJINAL NUMARASI Original No.	HALDEX 030001319D, WABCO 4510373010	
PE NUMARASI PE No.	076.451-10A	
ÇAP (mm) Diameter (mm)	246	
HACİM (LİTRE) Capacity (Liter)	37	
TOPLAM UZUNLUK (mm.) Length (mm)	835	
MANŞON BAĞLANTISI Thread Connection	M22 X 1,5	
KAPAK BAĞLANTI ELEMAN SAYISI (A) Number Of Connection Elements on Each Side Length (A)	2 (120 mm.)	
KAPAK BAĞLANTI ELEMAN SAYISI (B) Number Of Connection Elements on Each Side Length (B)	1	
GÖVDE BAĞLANTI ELEMAN SAYISI (C) Number Of Connection Elements on Body (C)	1	
MALZEME Material	STEEL	





Özellikler; (Features)

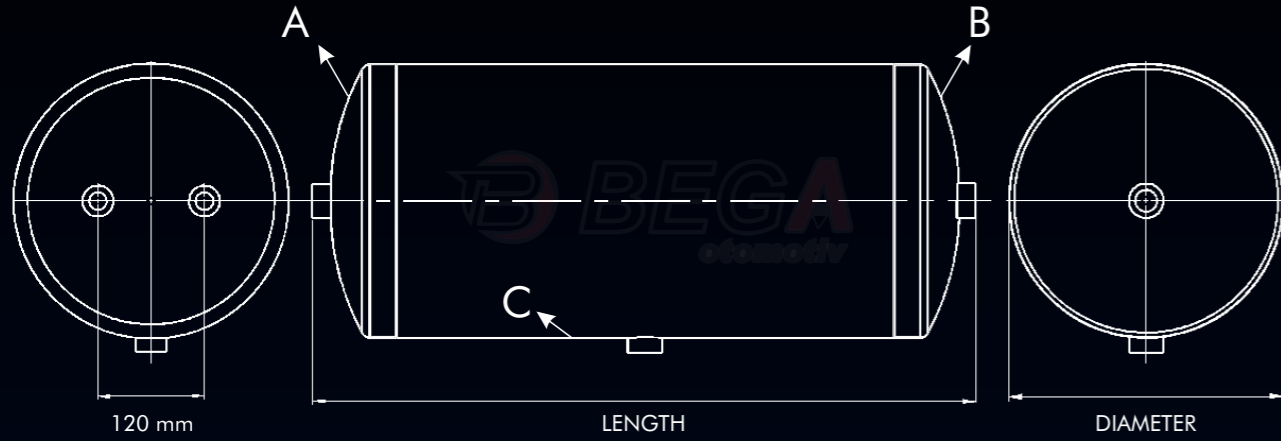
BEGA NUMARASI Bega No.	BG4024604	
ORJINAL NUMARASI Original No.	DAF 1 505 416, RENAULT 0038 437 700	
PE NUMARASI PE No.	076.452-00A	
ÇAP (mm) Diameter (mm)	246	
HACİM (LİTRE) Capacity (Liter)	40	
TOPLAM UZUNLUK (mm.) Length (mm)	915	
MANŞON BAĞLANTISI Thread Connection	M22 X 1,5	
KAPAK BAĞLANTI ELEMAN SAYISI (A) Number Of Connection Elements on Each Side Length (A)	2 (120 mm.)	
KAPAK BAĞLANTI ELEMAN SAYISI (B) Number Of Connection Elements on Each Side Length (B)	1	
GÖVDE BAĞLANTI ELEMAN SAYISI (C) Number Of Connection Elements on Body (C)	1	
MALZEME Material	STEEL	



Özellikler; (Features)

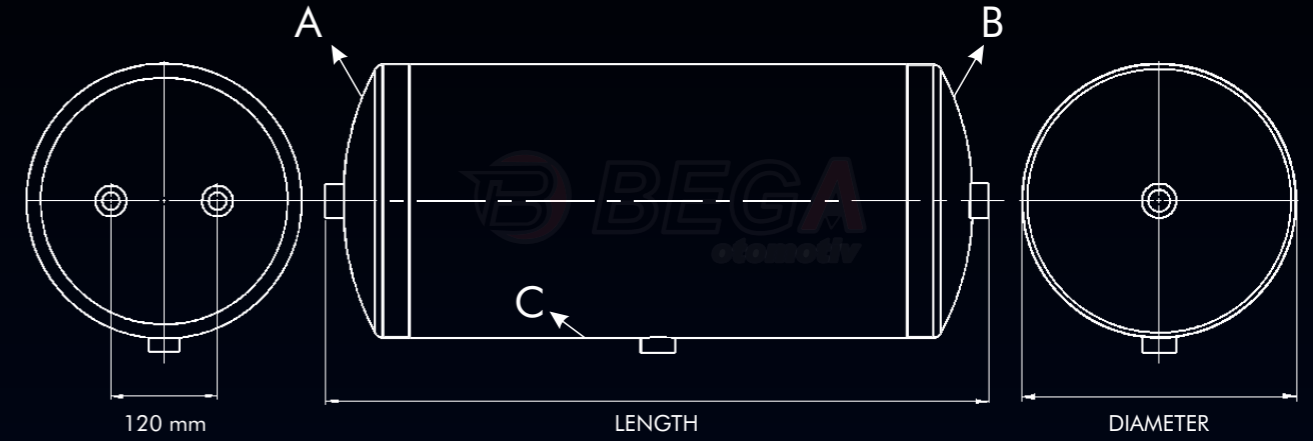
BEGA NUMARASI Bega No.	BG3027602	
ORJINAL NUMARASI Original No.	DAF 1 519 220, RENAULT 5021 170 384	
PE NUMARASI PE No.	076.452-10A	
ÇAP (mm) Diameter (mm)	276	
HACİM (LİTRE) Capacity (Liter)	30	
TOPLAM UZUNLUK (mm.) Length (mm)	570	
MANŞON BAĞLANTISI Thread Connection	M22 X 1,5	
KAPAK BAĞLANTI ELEMAN SAYISI (A) Number Of Connection Elements on Each Side Length (A)	2 (120 mm.)	
KAPAK BAĞLANTI ELEMAN SAYISI (B) Number Of Connection Elements on Each Side Length (B)	1	
GÖVDE BAĞLANTI ELEMAN SAYISI (C) Number Of Connection Elements on Body (C)	1	
MALZEME Material	STEEL	





Özellikler; (Features)

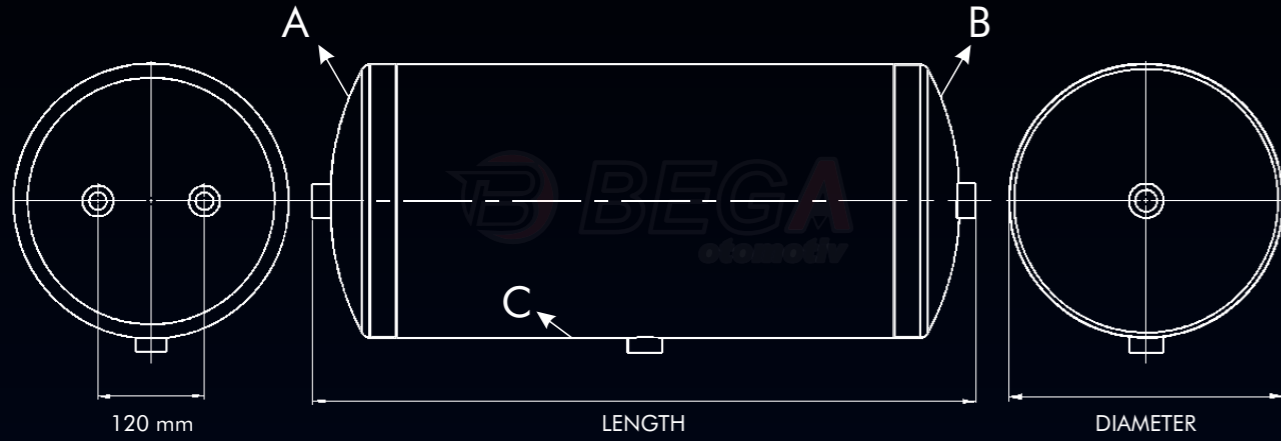
BEGA NUMARASI Bega No.	BG4027600	
ORJINAL NUMARASI Original No.	VOLVO 11 117 328,SCANIA 1 935 528	
PE NUMARASI PE No.	076.453-00A	
ÇAP (mm) Diameter (mm)	276	
HACİM (LİTRE) Capacity (Liter)	40	
TOPLAM UZUNLUK (mm.) Length (mm)	745	
MANŞON BAĞLANTISI Thread Connection	M22 X 1,5	
KAPAK BAĞLANTI ELEMAN SAYISI (A) Number Of Connection Elements on Each Side Length (A)	2 (120 mm.)	
KAPAK BAĞLANTI ELEMAN SAYISI (B) Number Of Connection Elements on Each Side Length (B)	1	
GÖVDE BAĞLANTI ELEMAN SAYISI (C) Number Of Connection Elements on Body (C)	1	
MALZEME Material	STEEL	



Özellikler; (Features)

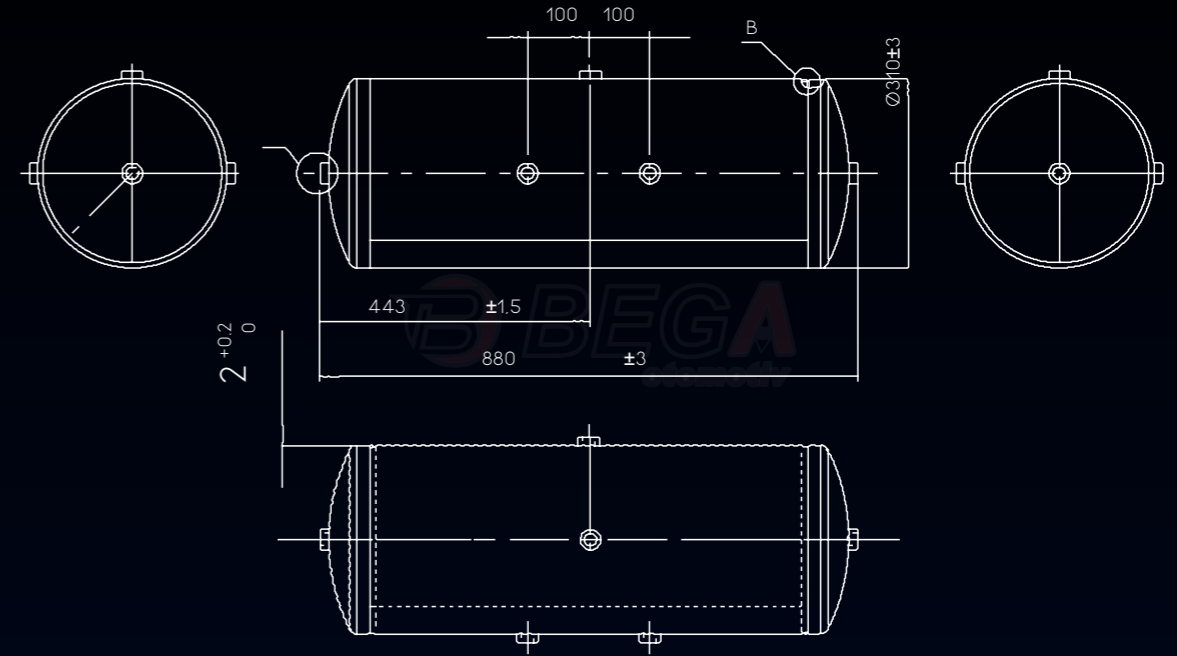
BEGA NUMARASI Bega No.	BG6027602	
ORJINAL NUMARASI Original No.	BA 02.2004.15.00, DAF 1 505 417, SAF 4 105 0004 00	
PE NUMARASI PE No.	076.454-10A	
ÇAP (mm) Diameter (mm)	276	
HACİM (LİTRE) Capacity (Liter)	60	
TOPLAM UZUNLUK (mm.) Length (mm)	1100	
MANŞON BAĞLANTISI Thread Connection	M22 X 1,5	
KAPAK BAĞLANTI ELEMAN SAYISI (A) Number Of Connection Elements on Each Side Length (A)	2 (120 mm.)	
KAPAK BAĞLANTI ELEMAN SAYISI (B) Number Of Connection Elements on Each Side Length (B)	1	
GÖVDE BAĞLANTI ELEMAN SAYISI (C) Number Of Connection Elements on Body (C)	1	
MALZEME Material	STEEL	





Özellikler; (Features)

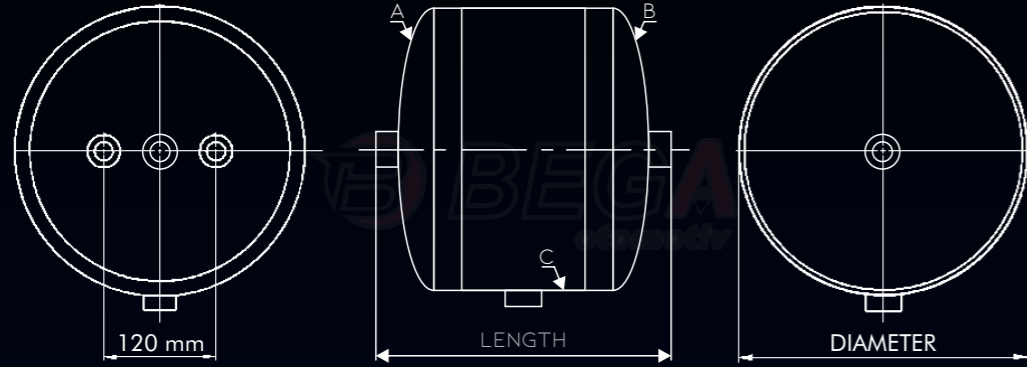
BEGA NUMARASI Bega No.	BG6027602	
ORJINAL NUMARASI Original No.	WABCO 950 560 002.0,451 060 301.0,950 560 001.0	
PE NUMARASI PE No.	076.454-10A	
ÇAP (mm) Diameter (mm)	276	
HACİM (LİTRE) Capacity (Liter)	60	
TOPLAM UZUNLUK (mm.) Length (mm)	1352	
MANŞON BAĞLANTISI Thread Connection	M22 X 1,5	
KAPAK BAĞLANTI ELEMAN SAYISI (A) Number Of Connection Elements on Each Side Length (A)	2 (120 mm.)	
KAPAK BAĞLANTI ELEMAN SAYISI (B) Number Of Connection Elements on Each Side Length (B)	1	
GÖVDE BAĞLANTI ELEMAN SAYISI (C) Number Of Connection Elements on Body (C)	1	
MALZEME Material	STEEL	



Özellikler; (Features)

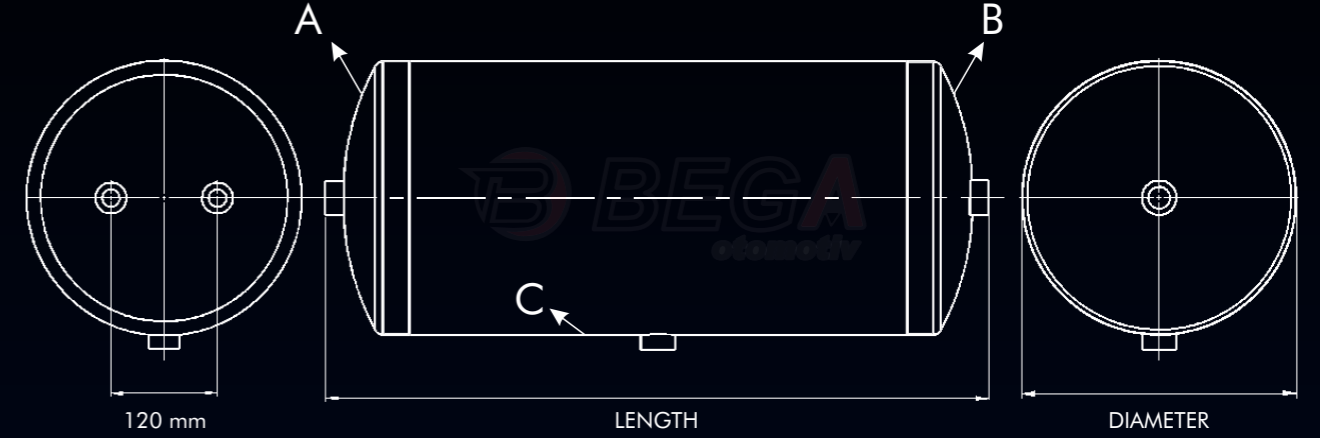
BEGA NUMARASI Bega No.		
ORJINAL NUMARASI Original No.	DAF 1 506 421,CARGO 050 459	
PE NUMARASI PE No.	076.455-10A	
ÇAP (mm) Diameter (mm)	310	
HACİM (LİTRE) Capacity (Liter)	60	
TOPLAM UZUNLUK (mm.) Length (mm)	880	
MANŞON BAĞLANTISI Thread Connection	M22 X 1,5	
KAPAK BAĞLANTI ELEMAN SAYISI (A) Number Of Connection Elements on Each Side Length (A)	2 (120 mm.)	
KAPAK BAĞLANTI ELEMAN SAYISI (B) Number Of Connection Elements on Each Side Length (B)	1	
GÖVDE BAĞLANTI ELEMAN SAYISI (C) Number Of Connection Elements on Body (C)	4	
MALZEME Material	STEEL	





Özellikler; (Features)

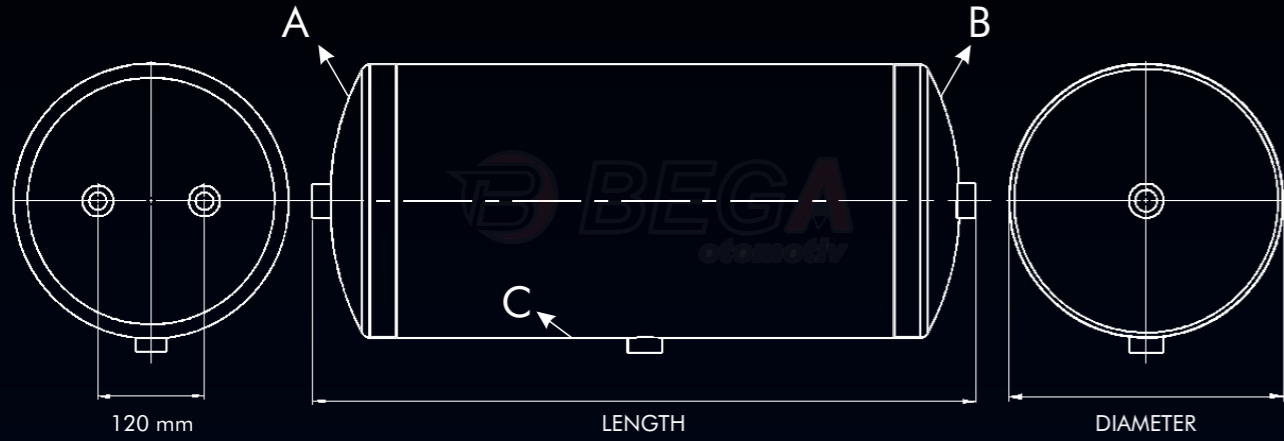
BEGA NUMARASI Bega No.	BG6039600	
ORJINAL NUMARASI Original No.	DAF 1 524 577, MAN 88.51401.6214	
PE NUMARASI PE No.	076.456-00A	
ÇAP (mm) Diameter (mm)	396	
HACİM (LİTRE) Capacity (Liter)	60	
TOPLAM UZUNLUK (mm.) Length (mm)	565	
MANŞON BAĞLANTISI Thread Connection	M22 X 1,5	
KAPAK BAĞLANTI ELEMAN SAYISI (A) Number Of Connection Elements on Each Side Length (A)	2 (120 mm.)	
KAPAK BAĞLANTI ELEMAN SAYISI (B) Number Of Connection Elements on Each Side Length (B)	1	
GÖVDE BAĞLANTI ELEMAN SAYISI (C) Number Of Connection Elements on Body (C)	1	
MALZEME Material	STEEL	



Özellikler; (Features)

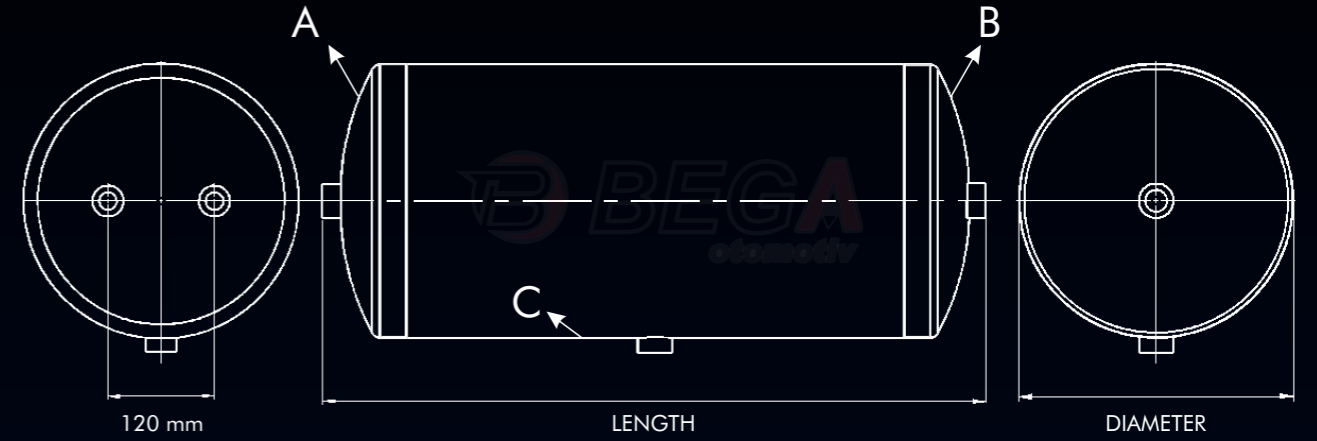
BEGA NUMARASI Bega No.		
ORJINAL NUMARASI Original No.	DAF 1505423, MAN 88514016216, HALDEX 030002019D, WABCO 4510803010, STELLOX 85475015X	
PE NUMARASI PE No.	076.457-10A	
ÇAP (mm) Diameter (mm)	396	
HACİM (LİTRE) Capacity (Liter)	80	
TOPLAM UZUNLUK (mm.) Length (mm)	730	
MANŞON BAĞLANTISI Thread Connection	M22 X 1,5	
KAPAK BAĞLANTI ELEMAN SAYISI (A) Number Of Connection Elements on Each Side Length (A)	2 (120 mm.)	
KAPAK BAĞLANTI ELEMAN SAYISI (B) Number Of Connection Elements on Each Side Length (B)	1	
GÖVDE BAĞLANTI ELEMAN SAYISI (C) Number Of Connection Elements on Body (C)	1	
MALZEME Material	STEEL	





Özellikler; (Features)

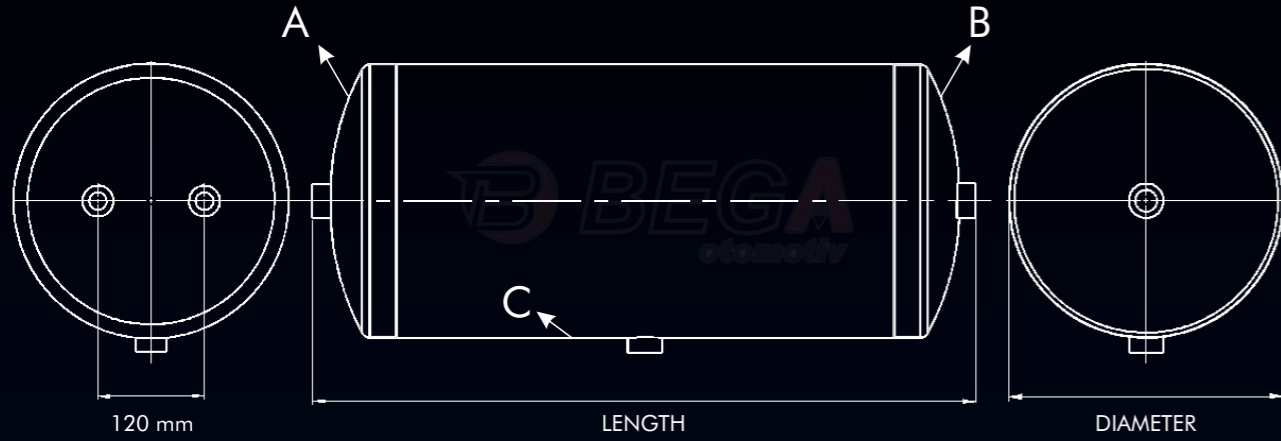
BEGA NUMARASI Bega No.	
ORJINAL NUMARASI Original No.	WABCO 451 085 301.0
PE NUMARASI PE No.	076.457-00A
ÇAP (mm) Diameter (mm)	276
HACİM (LİTRE) Capacity (Liter)	85
TOPLAM UZUNLUK (mm.) Length (mm)	1503
MANŞON BAĞLANTISI Thread Connection	M22 X 1,5
KAPAK BAĞLANTI ELEMAN SAYISI (A) Number Of Connection Elements on Each Side Length (A)	2 (120 mm.)
KAPAK BAĞLANTI ELEMAN SAYISI (B) Number Of Connection Elements on Each Side Length (B)	1
GÖVDE BAĞLANTI ELEMAN SAYISI (C) Number Of Connection Elements on Body (C)	1
MALZEME Material	STEEL



Özellikler; (Features)

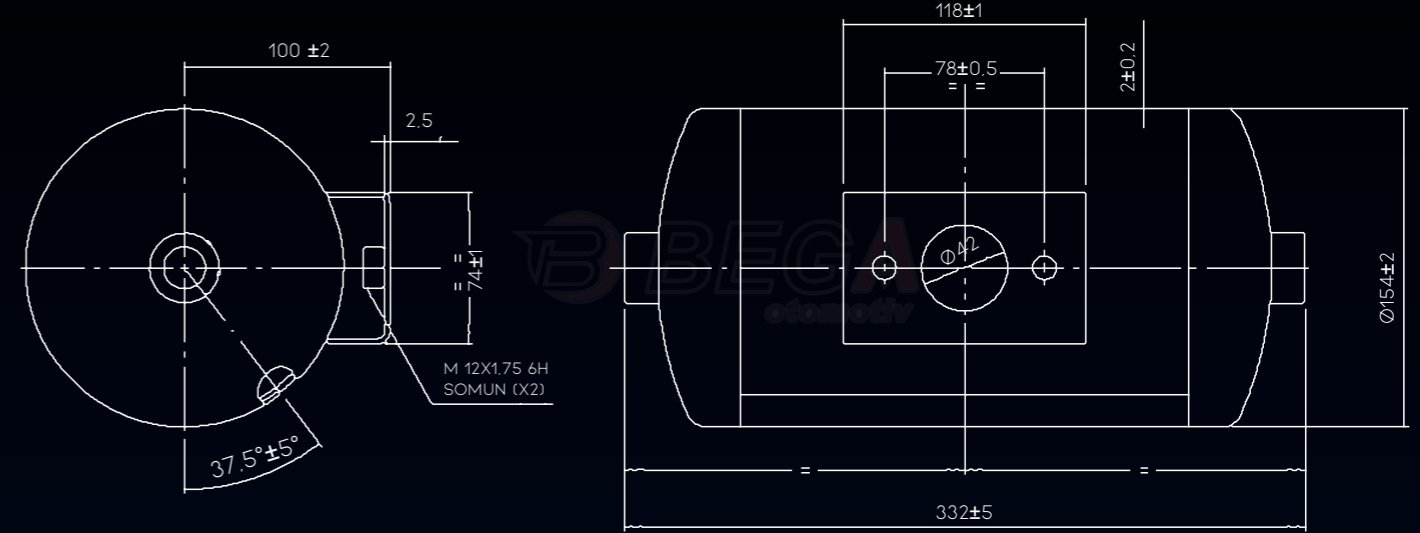
BEGA NUMARASI Bega No.	
ORJINAL NUMARASI Original No.	SCANIA 1 935 520
PE NUMARASI PE No.	076.458-10A
ÇAP (mm) Diameter (mm)	396
HACİM (LİTRE) Capacity (Liter)	100
TOPLAM UZUNLUK (mm.) Length (mm)	900
MANŞON BAĞLANTISI Thread Connection	M22 X 1,5
KAPAK BAĞLANTI ELEMAN SAYISI (A) Number Of Connection Elements on Each Side Length (A)	2 (120 mm.)
KAPAK BAĞLANTI ELEMAN SAYISI (B) Number Of Connection Elements on Each Side Length (B)	1
GÖVDE BAĞLANTI ELEMAN SAYISI (C) Number Of Connection Elements on Body (C)	1
MALZEME Material	STEEL





Özellikler; (Features)

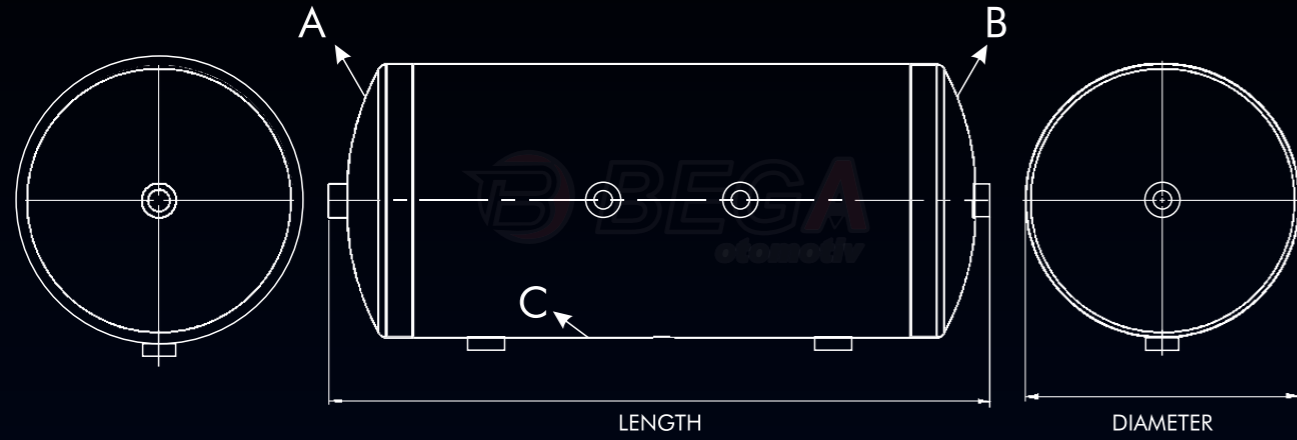
BEGA NUMARASI Bega No.	BG4031001	
ORJINAL NUMARASI Original No.	WABCO 950 740 906.0	
PE NUMARASI PE No.	076.459-00A	
ÇAP (mm) Diameter (mm)	310	
HACİM (LİTRE) Capacity (Liter)	40	
TOPLAM UZUNLUK (mm.) Length (mm)	625	
MANŞON BAĞLANTISI Thread Connection	M22 X 1,5	
KAPAK BAĞLANTI ELEMAN SAYISI (A) Number Of Connection Elements on Each Side Length (A)	2 (120 mm.)	
KAPAK BAĞLANTI ELEMAN SAYISI (B) Number Of Connection Elements on Each Side Length (B)	1	
GÖVDE BAĞLANTI ELEMAN SAYISI (C) Number Of Connection Elements on Body (C)	1	
MALZEME Material	STEEL	



Özellikler; (Features)

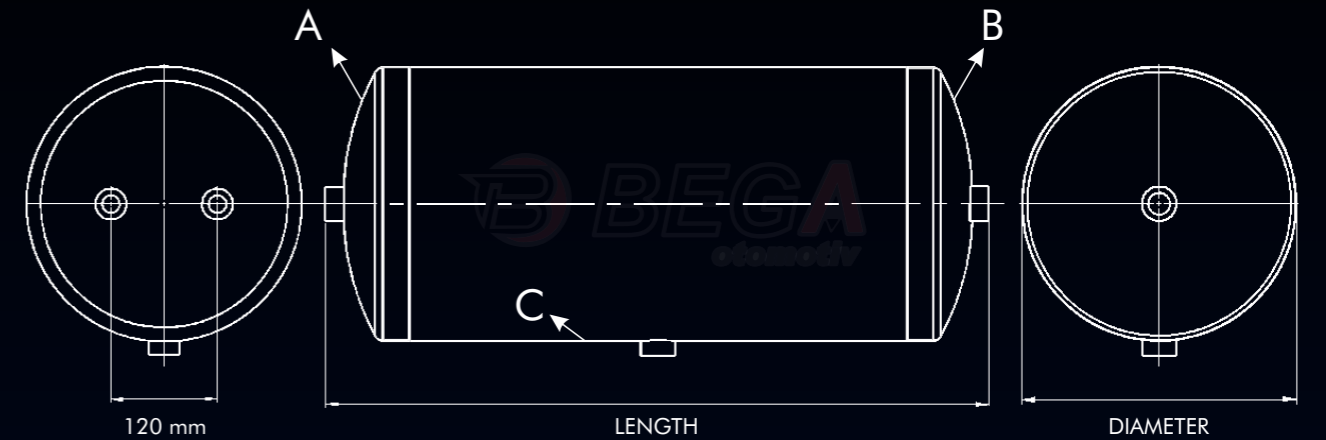
BEGA NUMARASI Bega No.	BG0515402	
ORJINAL NUMARASI Original No.	WABCO 451 005 480.0	
PE NUMARASI PE No.	076.460-00A	
ÇAP (mm) Diameter (mm)	154	
HACİM (LİTRE) Capacity (Liter)	5	
TOPLAM UZUNLUK (mm.) Length (mm)	332	
MANŞON BAĞLANTISI Thread Connection	M22 X 1,5	
KAPAK BAĞLANTI ELEMAN SAYISI (A) Number Of Connection Elements on Each Side Length (A)	1	
KAPAK BAĞLANTI ELEMAN SAYISI (B) Number Of Connection Elements on Each Side Length (B)	1	
GÖVDE BAĞLANTI ELEMAN SAYISI (C) Number Of Connection Elements on Body (C)	0	
MALZEME Material	STEEL	





Özellikler; (Features)

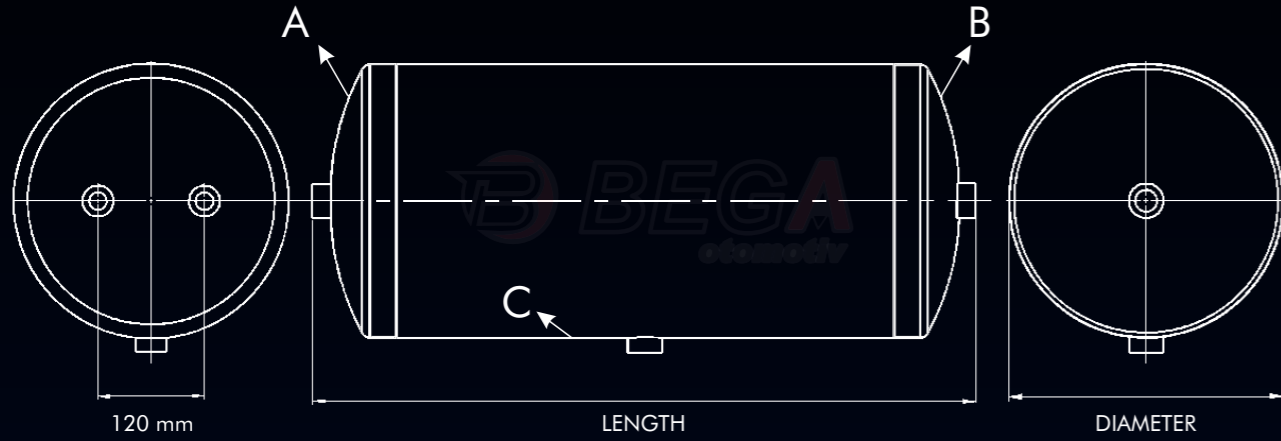
BEGA NUMARASI Bega No.	BG6030000	
ORJINAL NUMARASI Original No.	WABCO 950 060 009.0	
PE NUMARASI PE No.	076.462-00A	
ÇAP (mm) Diameter (mm)	300	
HACİM (LİTRE) Capacity (Liter)	60	
TOPLAM UZUNLUK (mm.) Length (mm)	950	
MANŞON BAĞLANTISI Thread Connection	M22 X 1,5	
KAPAK BAĞLANTI ELEMAN SAYISI (A) Number Of Connection Elements on Each Side Length (A)	1	
KAPAK BAĞLANTI ELEMAN SAYISI (B) Number Of Connection Elements on Each Side Length (B)	1	
GÖVDE BAĞLANTI ELEMAN SAYISI (C) Number Of Connection Elements on Body (C)	3	
MALZEME Material	STEEL	



Özellikler; (Features)

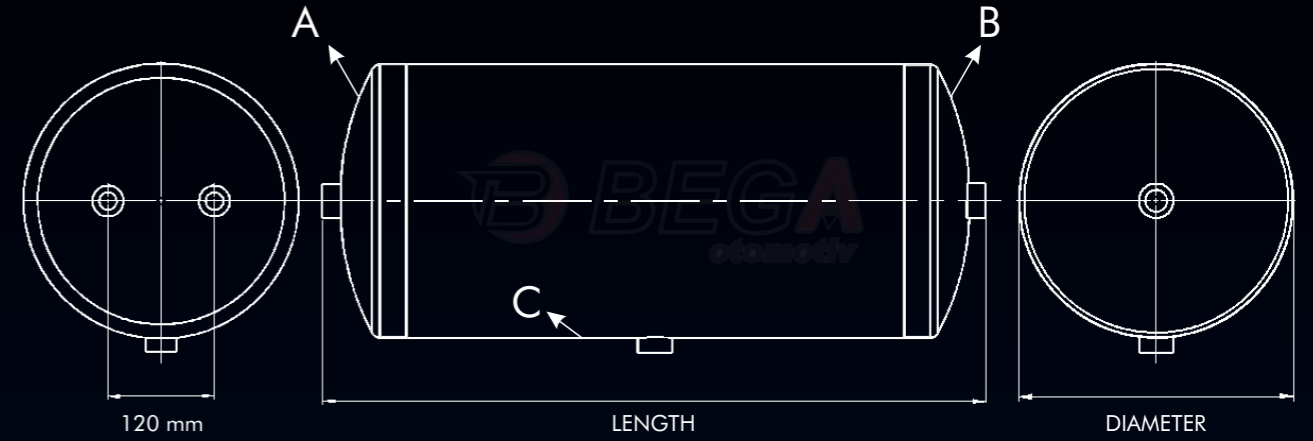
BEGA NUMARASI Bega No.		
ORJINAL NUMARASI Original No.	N/A	
PE NUMARASI PE No.	076.463-00A	
ÇAP (mm) Diameter (mm)	396	
HACİM (LİTRE) Capacity (Liter)	120	
TOPLAM UZUNLUK (mm.) Length (mm)	1067	
MANŞON BAĞLANTISI Thread Connection	M22 X 1,5	
KAPAK BAĞLANTI ELEMAN SAYISI (A) Number Of Connection Elements on Each Side Length (A)	2 (120 mm.)	
KAPAK BAĞLANTI ELEMAN SAYISI (B) Number Of Connection Elements on Each Side Length (B)	1	
GÖVDE BAĞLANTI ELEMAN SAYISI (C) Number Of Connection Elements on Body (C)	1	
MALZEME Material	STEEL	





Özellikler; (Features)

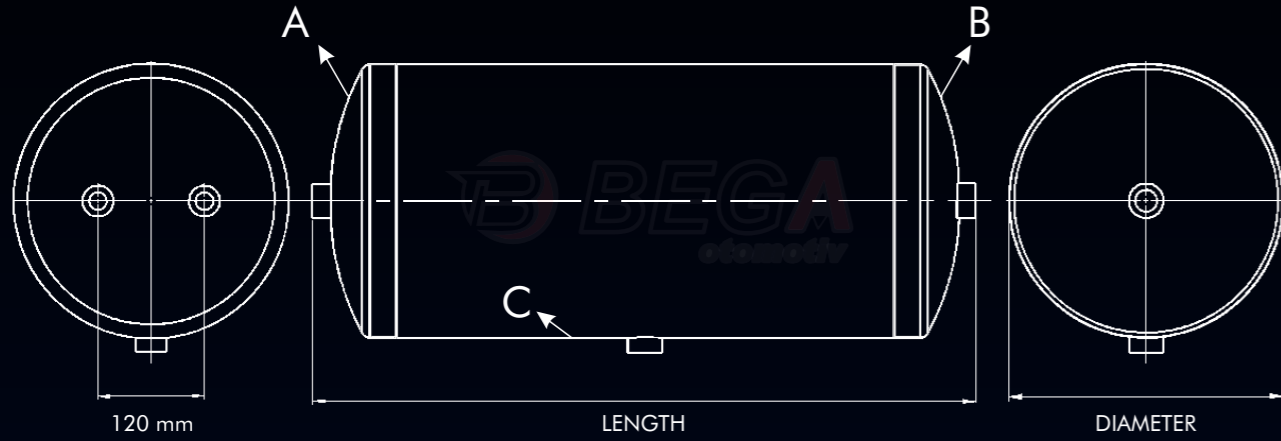
BEGA NUMARASI Bega No.	
ORJINAL NUMARASI Original No.	N/A
PE NUMARASI PE No.	076.470-00A
ÇAP (mm) Diameter (mm)	206
HACİM (LİTRE) Capacity (Liter)	10
TOPLAM UZUNLUK (mm.) Length (mm)	381
MANŞON BAĞLANTISI Thread Connection	M22 X 1,5
KAPAK BAĞLANTI ELEMAN SAYISI (A) Number Of Connection Elements on Each Side Length (A)	2 (120 mm.)
KAPAK BAĞLANTI ELEMAN SAYISI (B) Number Of Connection Elements on Each Side Length (B)	1
GÖVDE BAĞLANTI ELEMAN SAYISI (C) Number Of Connection Elements on Body (C)	1
MALZEME Material	ALUMINIUM



Özellikler; (Features)

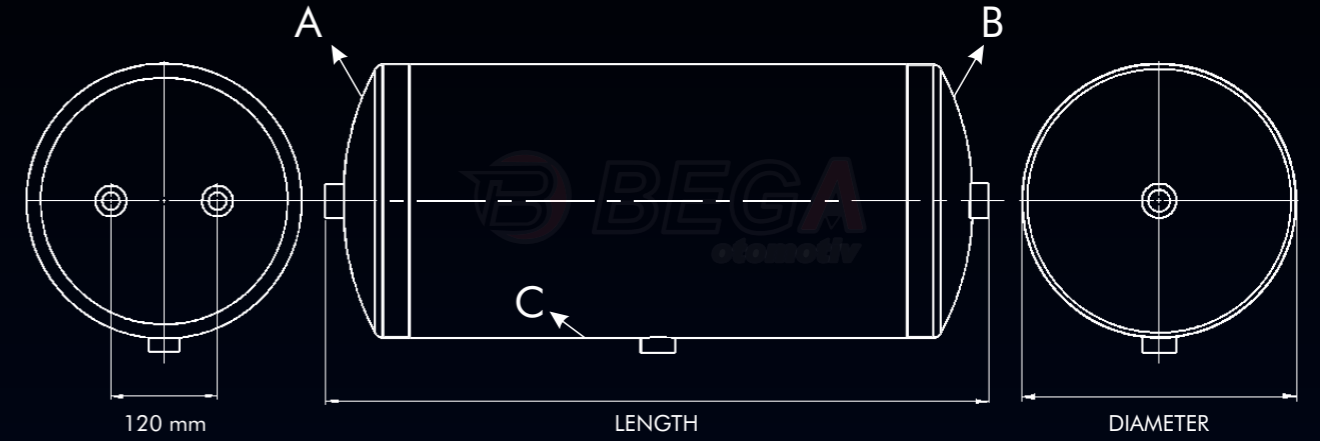
BEGA NUMARASI Bega No.	
ORJINAL NUMARASI Original No.	N/A
PE NUMARASI PE No.	076.472-00A
ÇAP (mm) Diameter (mm)	206
HACİM (LİTRE) Capacity (Liter)	20
TOPLAM UZUNLUK (mm.) Length (mm)	685
MANŞON BAĞLANTISI Thread Connection	M22 X 1,5
KAPAK BAĞLANTI ELEMAN SAYISI (A) Number Of Connection Elements on Each Side Length (A)	2 (120 mm.)
KAPAK BAĞLANTI ELEMAN SAYISI (B) Number Of Connection Elements on Each Side Length (B)	1
GÖVDE BAĞLANTI ELEMAN SAYISI (C) Number Of Connection Elements on Body (C)	1
MALZEME Material	ALUMINIUM





Özellikler; (Features)

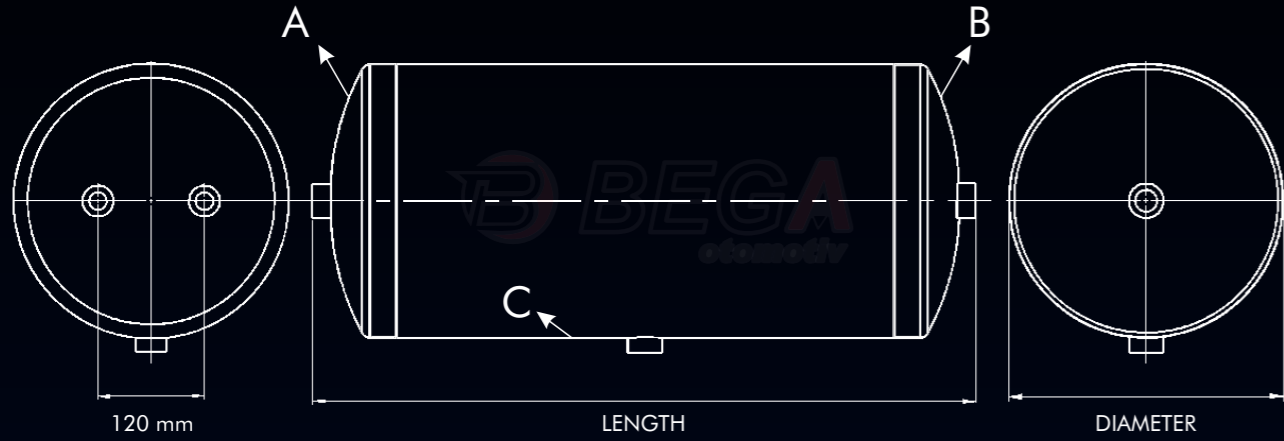
BEGA NUMARASI Bega No.		
ORJINAL NUMARASI Original No.	N/A	
PE NUMARASI PE No.	076.473-00A	
ÇAP (mm) Diameter (mm)	246	
HACİM (LİTRE) Capacity (Liter)	20	
TOPLAM UZUNLUK (mm.) Length (mm)	510	
MANŞON BAĞLANTISI Thread Connection	M22 X 1,5	
KAPAK BAĞLANTI ELEMAN SAYISI (A) Number Of Connection Elements on Each Side Length (A)	2 (120 mm.)	
KAPAK BAĞLANTI ELEMAN SAYISI (B) Number Of Connection Elements on Each Side Length (B)	1	
GÖVDE BAĞLANTI ELEMAN SAYISI (C) Number Of Connection Elements on Body (C)	1	
MALZEME Material	ALUMINIUM	



Özellikler; (Features)

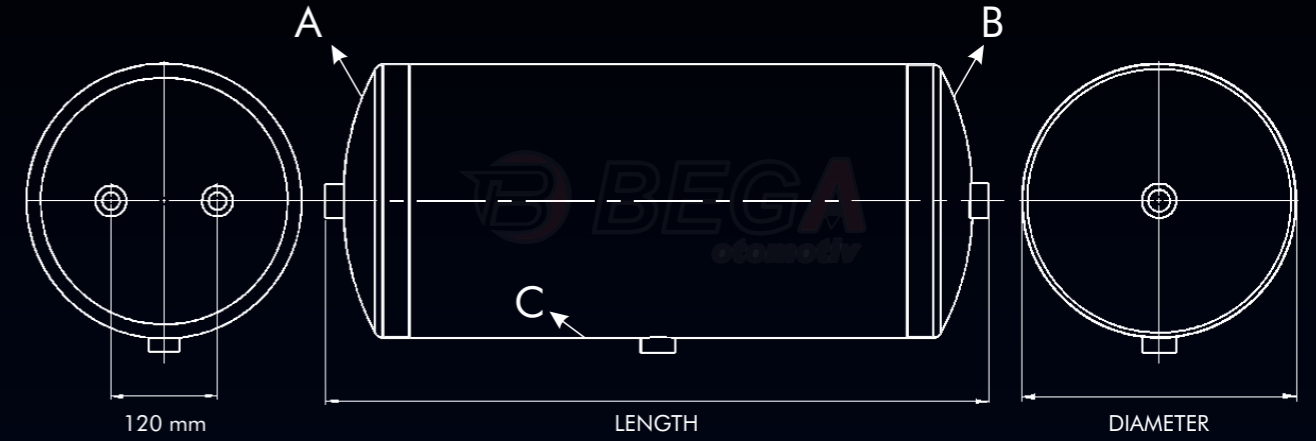
BEGA NUMARASI Bega No.		
ORJINAL NUMARASI Original No.	N/A	
PE NUMARASI PE No.	076.474-00A	
ÇAP (mm) Diameter (mm)	276	
HACİM (LİTRE) Capacity (Liter)	20	
TOPLAM UZUNLUK (mm.) Length (mm)	416	
MANŞON BAĞLANTISI Thread Connection	M22 X 1,5	
KAPAK BAĞLANTI ELEMAN SAYISI (A) Number Of Connection Elements on Each Side Length (A)	2 (120 mm.)	
KAPAK BAĞLANTI ELEMAN SAYISI (B) Number Of Connection Elements on Each Side Length (B)	1	
GÖVDE BAĞLANTI ELEMAN SAYISI (C) Number Of Connection Elements on Body (C)	1	
MALZEME Material	ALUMINIUM	





Özellikler; (Features)

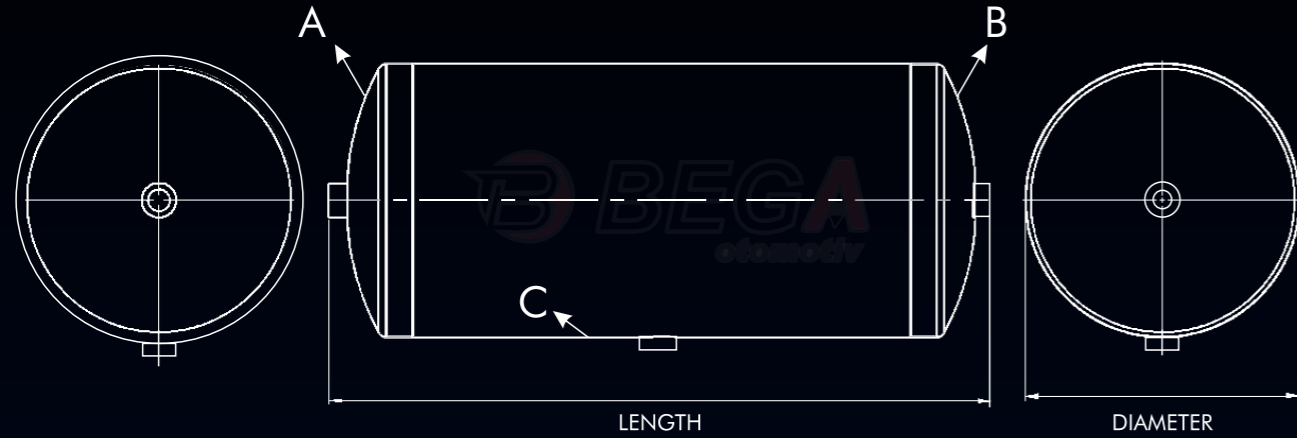
BEGA NUMARASI Bega No.	
ORJINAL NUMARASI Original No.	WABCO 950 530 903.0
PE NUMARASI PE No.	076.475-00A
ÇAP (mm) Diameter (mm)	246
HACİM (LİTRE) Capacity (Liter)	30
TOPLAM UZUNLUK (mm.) Length (mm)	709
MANŞON BAĞLANTISI Thread Connection	M22 X 1,5
KAPAK BAĞLANTI ELEMAN SAYISI (A) Number Of Connection Elements on Each Side Length (A)	2 (120 mm.)
KAPAK BAĞLANTI ELEMAN SAYISI (B) Number Of Connection Elements on Each Side Length (B)	1
GÖVDE BAĞLANTI ELEMAN SAYISI (C) Number Of Connection Elements on Body (C)	1
MALZEME Material	ALUMINIUM



Özellikler; (Features)

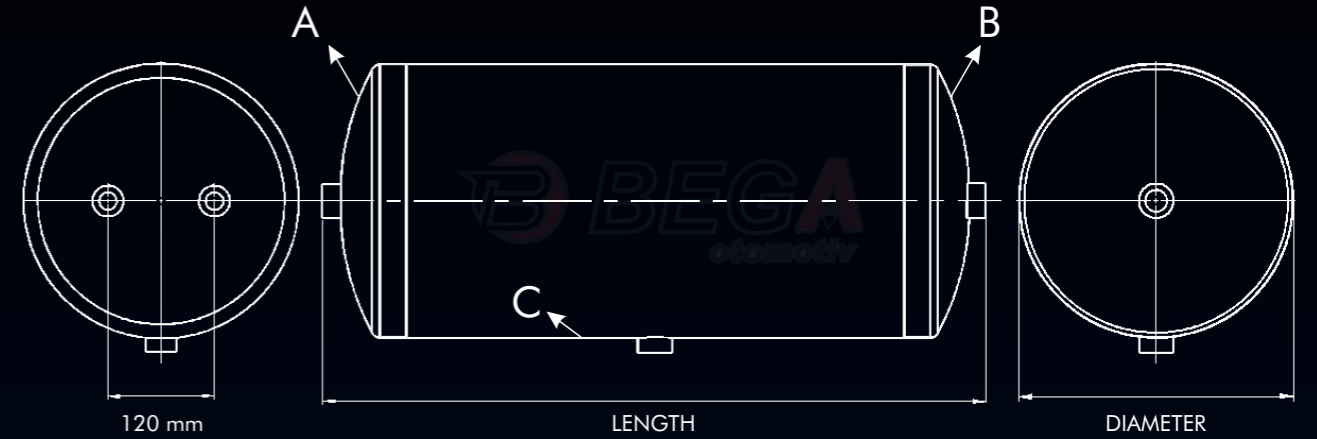
BEGA NUMARASI Bega No.	
ORJINAL NUMARASI Original No.	N/A
PE NUMARASI PE No.	076.476-00A
ÇAP (mm) Diameter (mm)	276
HACİM (LİTRE) Capacity (Liter)	30
TOPLAM UZUNLUK (mm.) Length (mm)	588
MANŞON BAĞLANTISI Thread Connection	M22 X 1,5
KAPAK BAĞLANTI ELEMAN SAYISI (A) Number Of Connection Elements on Each Side Length (A)	2 (120 mm.)
KAPAK BAĞLANTI ELEMAN SAYISI (B) Number Of Connection Elements on Each Side Length (B)	1
GÖVDE BAĞLANTI ELEMAN SAYISI (C) Number Of Connection Elements on Body (C)	1
MALZEME Material	ALUMINIUM





Özellikler; (Features)

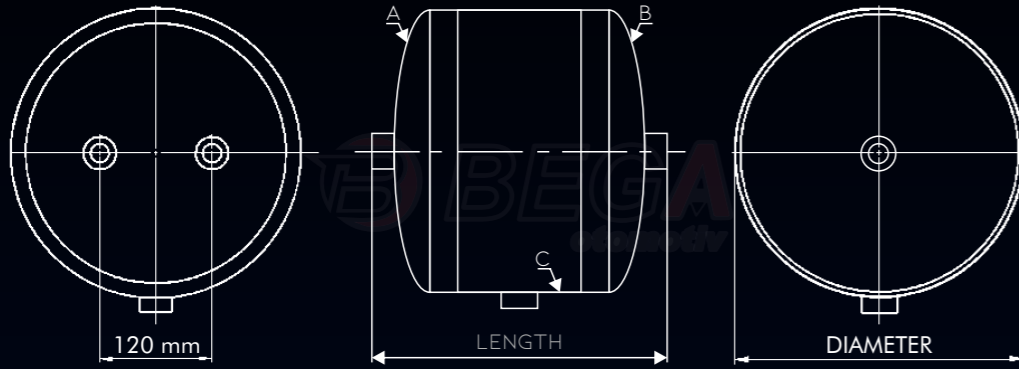
BEGA NUMARASI Bega No.	BG1015400	
ORJINAL NUMARASI Original No.	WABCO 950 110 002.0	
PE NUMARASI PE No.	076.477-00A	
ÇAP (mm) Diameter (mm)	154	
HACİM (LİTRE) Capacity (Liter)	10	
TOPLAM UZUNLUK (mm.) Length (mm)	615	
MANŞON BAĞLANTISI Thread Connection	M22 X 1,5	
KAPAK BAĞLANTI ELEMAN SAYISI (A) Number Of Connection Elements on Each Side Length (A)	1	
KAPAK BAĞLANTI ELEMAN SAYISI (B) Number Of Connection Elements on Each Side Length (B)	1	
GÖVDE BAĞLANTI ELEMAN SAYISI (C) Number Of Connection Elements on Body (C)	1	
MALZEME Material	STEEL	



Özellikler; (Features)

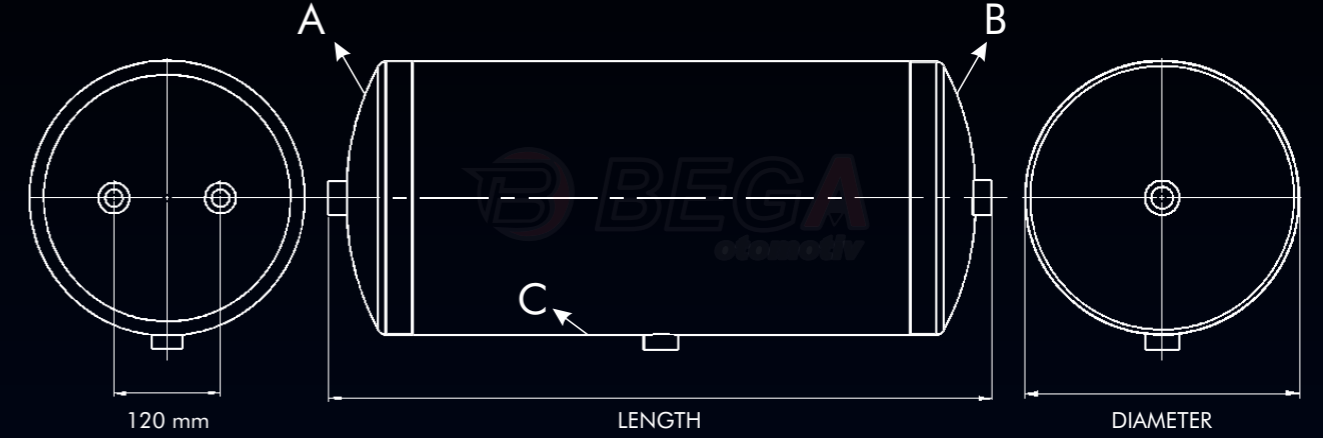
BEGA NUMARASI Bega No.		
ORJINAL NUMARASI Original No.	WABCO 950 7409040	
PE NUMARASI PE No.	076.479-00A	
ÇAP (mm) Diameter (mm)	276	
HACİM (LİTRE) Capacity (Liter)	40	
TOPLAM UZUNLUK (mm.) Length (mm)	763	
MANŞON BAĞLANTISI Thread Connection	M22 X 1,5	
KAPAK BAĞLANTI ELEMAN SAYISI (A) Number Of Connection Elements on Each Side Length (A)	2 (120 mm.)	
KAPAK BAĞLANTI ELEMAN SAYISI (B) Number Of Connection Elements on Each Side Length (B)	1	
GÖVDE BAĞLANTI ELEMAN SAYISI (C) Number Of Connection Elements on Body (C)	1	
MALZEME Material	ALUMINIUM	





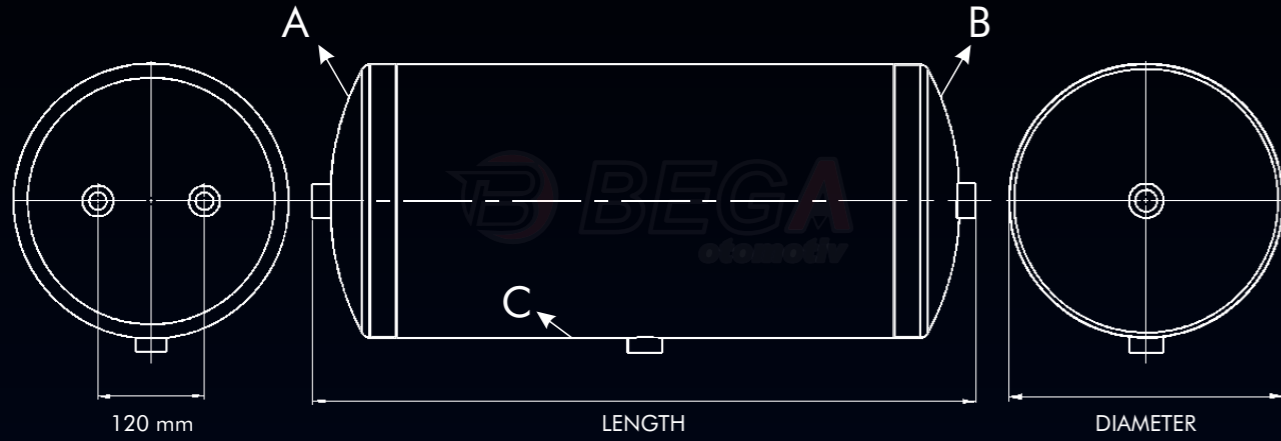
Özellikler; (Features)

BEGA NUMARASI Bega No.	
ORJINAL NUMARASI Original No.	SCANIA 001935522, WABCO 95040600110
PE NUMARASI PE No.	076.480-00A
ÇAP (mm) Diameter (mm)	206
HACİM (LİTRE) Capacity (Liter)	6
TOPLAM UZUNLUK (mm.) Length (mm)	241
MANŞON BAĞLANTISI Thread Connection	M22 X 1,5
KAPAK BAĞLANTI ELEMAN SAYISI (A) Number Of Connection Elements on Each Side Length (A)	2 (120 MM.)
KAPAK BAĞLANTI ELEMAN SAYISI (B) Number Of Connection Elements on Each Side Length (B)	1
GÖVDE BAĞLANTI ELEMAN SAYISI (C) Number Of Connection Elements on Body (C)	1
MALZEME Material	STEEL



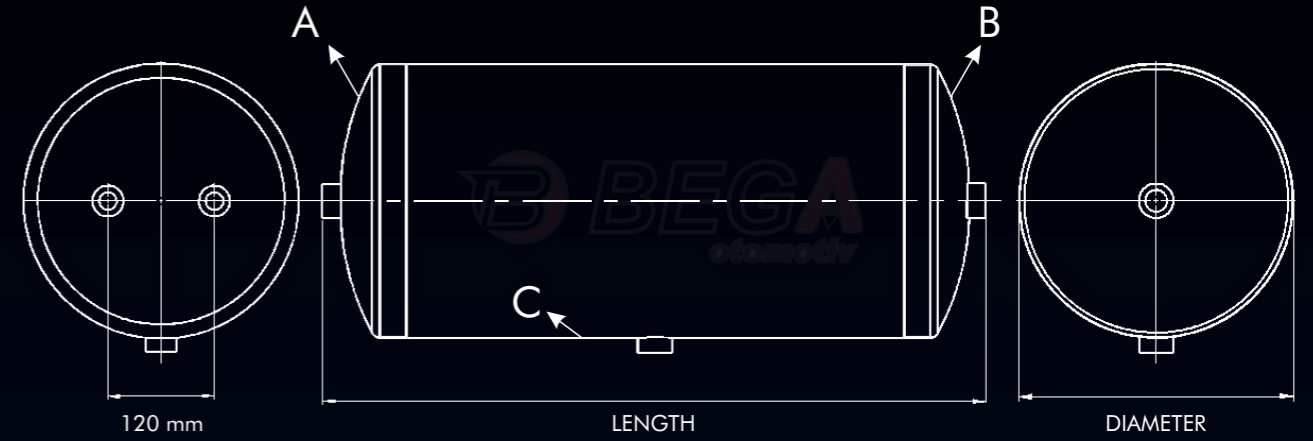
Özellikler; (Features)

BEGA NUMARASI Bega No.	
ORJINAL NUMARASI Original No.	N/A
PE NUMARASI PE No.	076.481-00A
ÇAP (mm) Diameter (mm)	246
HACİM (LİTRE) Capacity (Liter)	60
TOPLAM UZUNLUK (mm.) Length (mm)	1352
MANŞON BAĞLANTISI Thread Connection	M22 X 1,5
KAPAK BAĞLANTI ELEMAN SAYISI (A) Number Of Connection Elements on Each Side Length (A)	2 (120 mm.)
KAPAK BAĞLANTI ELEMAN SAYISI (B) Number Of Connection Elements on Each Side Length (B)	1
GÖVDE BAĞLANTI ELEMAN SAYISI (C) Number Of Connection Elements on Body (C)	1
MALZEME Material	ALUMINIUM



Özellikler; (Features)

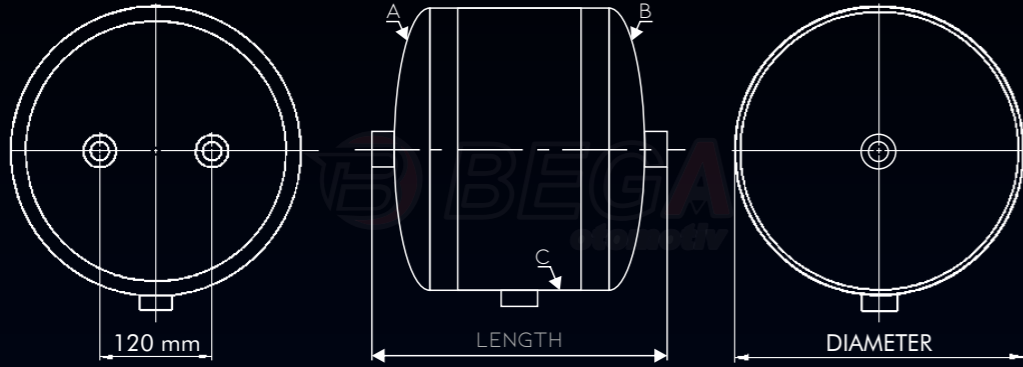
BEGA NUMARASI Bega No.	
ORJINAL NUMARASI Original No.	N/A
PE NUMARASI PE No.	076.482-00A
ÇAP (mm) Diameter (mm)	276
HACİM (LİTRE) Capacity (Liter)	60
TOPLAM UZUNLUK (mm.) Length (mm)	1110
MANŞON BAĞLANTISI Thread Connection	M22 X 1,5
KAPAK BAĞLANTI ELEMAN SAYISI (A) Number Of Connection Elements on Each Side Length (A)	2 (120 MM.)
KAPAK BAĞLANTI ELEMAN SAYISI (B) Number Of Connection Elements on Each Side Length (B)	1
GÖVDE BAĞLANTI ELEMAN SAYISI (C) Number Of Connection Elements on Body (C)	1
MALZEME Material	ALUMINIUM



Özellikler; (Features)

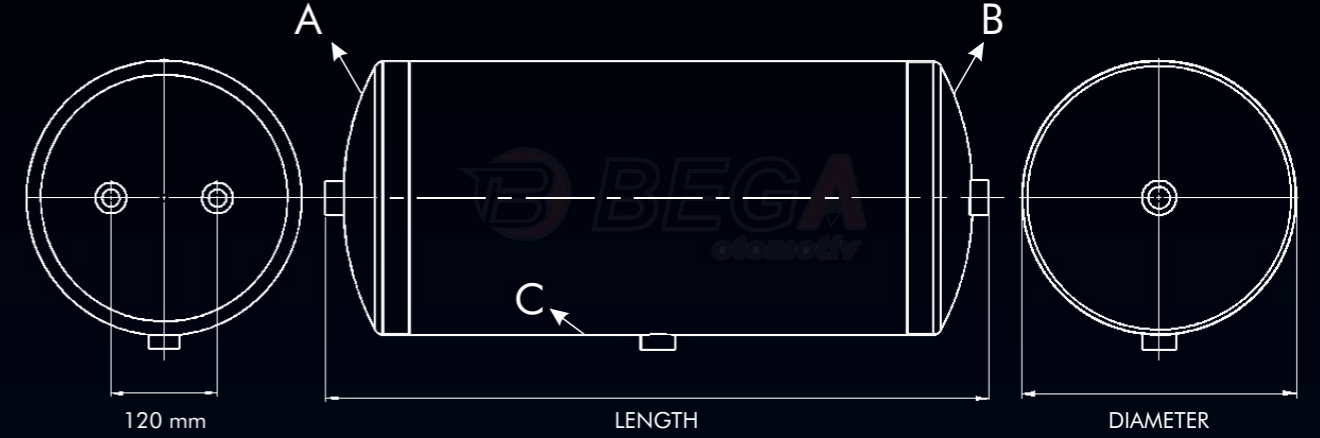
BEGA NUMARASI Bega No.	
ORJINAL NUMARASI Original No.	N/A
PE NUMARASI PE No.	076.483-00A
ÇAP (mm) Diameter (mm)	310
HACİM (LİTRE) Capacity (Liter)	60
TOPLAM UZUNLUK (mm.) Length (mm)	865
MANŞON BAĞLANTISI Thread Connection	M22 X 1,5
KAPAK BAĞLANTI ELEMAN SAYISI (A) Number Of Connection Elements on Each Side Length (A)	2 (120 mm.)
KAPAK BAĞLANTI ELEMAN SAYISI (B) Number Of Connection Elements on Each Side Length (B)	1
GÖVDE BAĞLANTI ELEMAN SAYISI (C) Number Of Connection Elements on Body (C)	1
MALZEME Material	ALUMINIUM





Özellikler; (Features)

BEGA NUMARASI Bega No.	
ORJINAL NUMARASI Original No.	WABCO 950 410 902.0
PE NUMARASI PE No.	076.484-00A
ÇAP (mm) Diameter (mm)	206
HACİM (LİTRE) Capacity (Liter)	10
TOPLAM UZUNLUK (mm.) Length (mm)	355
MANŞON BAĞLANTISI Thread Connection	M22 X 1,5
KAPAK BAĞLANTI ELEMAN SAYISI (A) Number Of Connection Elements on Each Side Length (A)	2 (120 MM.)
KAPAK BAĞLANTI ELEMAN SAYISI (B) Number Of Connection Elements on Each Side Length (B)	1
GÖVDE BAĞLANTI ELEMAN SAYISI (C) Number Of Connection Elements on Body (C)	1
MALZEME Material	STEEL



Özellikler; (Features)

BEGA NUMARASI Bega No.	
ORJINAL NUMARASI Original No.	WABCO 950 080 903.0
PE NUMARASI PE No.	076.485-00A
ÇAP (mm) Diameter (mm)	396
HACİM (LİTRE) Capacity (Liter)	80
TOPLAM UZUNLUK (mm.) Length (mm)	750
MANŞON BAĞLANTISI Thread Connection	M22 X 1,5
KAPAK BAĞLANTI ELEMAN SAYISI (A) Number Of Connection Elements on Each Side Length (A)	2 (120 mm.)
KAPAK BAĞLANTI ELEMAN SAYISI (B) Number Of Connection Elements on Each Side Length (B)	1
GÖVDE BAĞLANTI ELEMAN SAYISI (C) Number Of Connection Elements on Body (C)	1
MALZEME Material	ALUMINIUM





Özellikler;

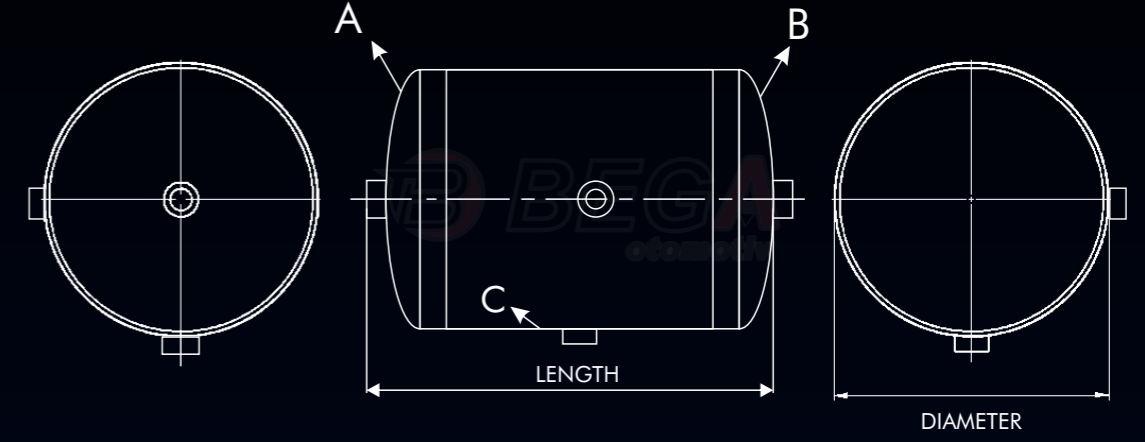
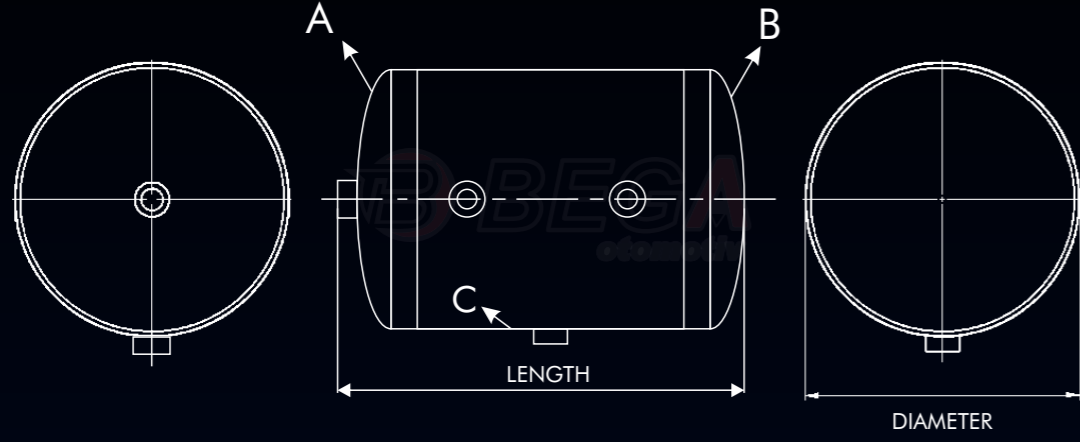
BEGA NUMARASI Bega No.	
ORJINAL NUMARASI Original No.	N/A
PE NUMARASI PE No.	076.486-00A
ÇAP (mm) Diameter (mm)	396
HACİM (LİTRE) Capacity (Liter)	100
TOPLAM UZUNLUK (mm.) Length (mm)	915
MANŞON BAĞLANTISI Thread Connection	M22 X 1,5
KAPAK BAĞLANTI ELEMAN SAYISI (A) Number Of Connection Elements on Each Side Length (A)	2 (120 MM.)
KAPAK BAĞLANTI ELEMAN SAYISI (B) Number Of Connection Elements on Each Side Length (B)	1
GÖVDE BAĞLANTI ELEMAN SAYISI (C) Number Of Connection Elements on Body (C)	1
MALZEME Material	ALUMINIUM



LENGTH

Özellikler;

BEGA NUMARASI Bega No.	BG2027605
ORJINAL NUMARASI Original No.	RENAULT 5021 170 381, WABCO 950 720 005.0
PE NUMARASI PE No.	076.487-00A
ÇAP (mm) Diameter (mm)	276
HACİM (LİTRE) Capacity (Liter)	20
TOPLAM UZUNLUK (mm.) Length (mm)	414
MANŞON BAĞLANTISI Thread Connection	M22 X 1,5
KAPAK BAĞLANTI ELEMAN SAYISI (A) Number Of Connection Elements on Each Side Length (A)	2 (120 mm.)
KAPAK BAĞLANTI ELEMAN SAYISI (B) Number Of Connection Elements on Each Side Length (B)	1
GÖVDE BAĞLANTI ELEMAN SAYISI (C) Number Of Connection Elements on Body (C)	1
MALZEME Material	STEEL

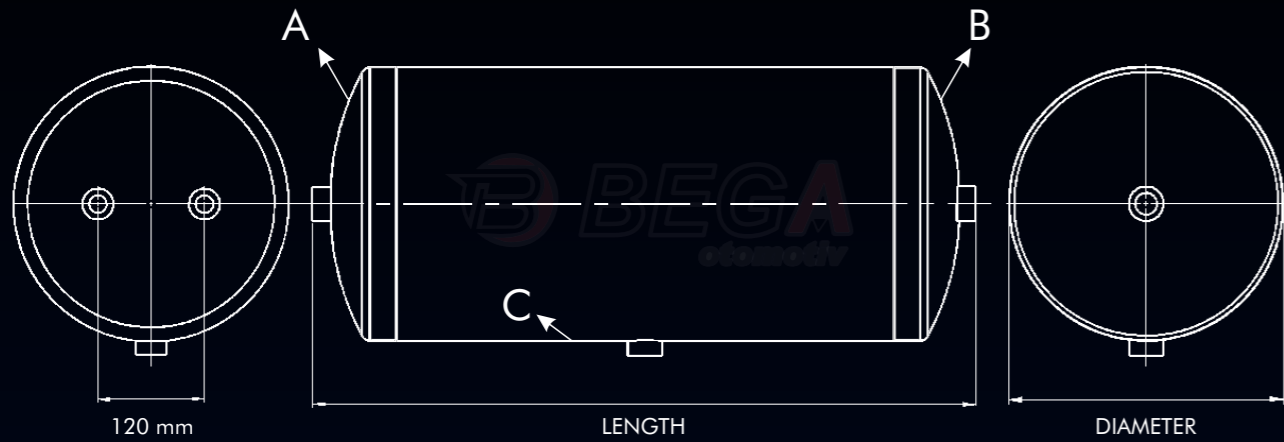


Özellikler; (Features)

Özellikler; (Features)

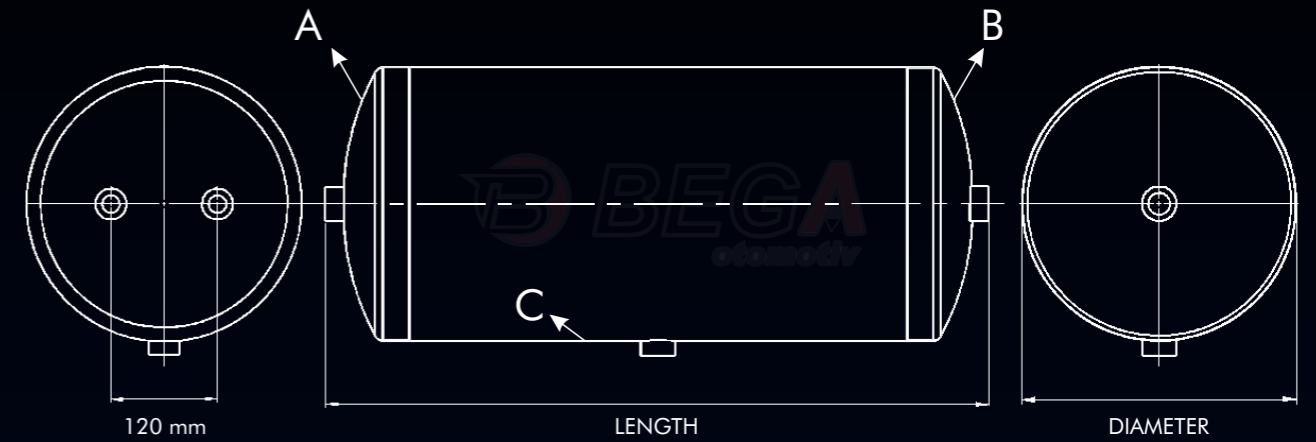
BEGA NUMARASI Bega No.	BG4530000	
ORJINAL NUMARASI Original No.	WABCO 950 845 001.0	
PE NUMARASI PE No.	076.488-00A	
ÇAP (mm) Diameter (mm)	300	
HACİM (LİTRE) Capacity (Liter)	45	
TOPLAM UZUNLUK (mm.) Length (mm)	740	
MANŞON BAĞLANTISI Thread Connection	M22 X 1,5	
KAPAK BAĞLANTI ELEMAN SAYISI (A) Number Of Connection Elements on Each Side Length (A)	1	
KAPAK BAĞLANTI ELEMAN SAYISI (B) Number Of Connection Elements on Each Side Length (B)	1	
GÖVDE BAĞLANTI ELEMAN SAYISI (C) Number Of Connection Elements on Body (C)	3	
MALZEME Material	STEEL	

BEGA NUMARASI Bega No.	BG6030001	
ORJINAL NUMARASI Original No.	RENAULT 5021 170 393	
PE NUMARASI PE No.	076.496-00A	
ÇAP (mm) Diameter (mm)	300	
HACİM (LİTRE) Capacity (Liter)	60	
TOPLAM UZUNLUK (mm.) Length (mm)	945	
MANŞON BAĞLANTISI Thread Connection	M22 X 1,5	
KAPAK BAĞLANTI ELEMAN SAYISI (A) Number Of Connection Elements on Each Side Length (A)	1	
KAPAK BAĞLANTI ELEMAN SAYISI (B) Number Of Connection Elements on Each Side Length (B)	1	
GÖVDE BAĞLANTI ELEMAN SAYISI (C) Number Of Connection Elements on Body (C)	2	
MALZEME Material	STEEL	



Özellikler; (Features)

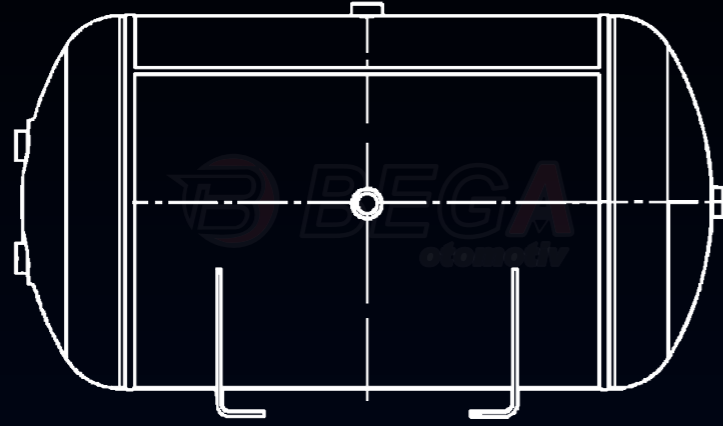
BEGA NUMARASI Bega No.	BG4027604	
ORJINAL NUMARASI Original No.	N/A	
PE NUMARASI PE No.	076.497-00A	
ÇAP (mm) Diameter (mm)	276	
HACİM (LİTRE) Capacity (Liter)	40	
TOPLAM UZUNLUK (mm.) Length (mm)	760	
MANŞON BAĞLANTISI Thread Connection	M22 X 1,5	
KAPAK BAĞLANTI ELEMAN SAYISI (A) Number Of Connection Elements on Each Side Length (A)	2 (120 mm.)	
KAPAK BAĞLANTI ELEMAN SAYISI (B) Number Of Connection Elements on Each Side Length (B)	1	
GÖVDE BAĞLANTI ELEMAN SAYISI (C) Number Of Connection Elements on Body (C)	1	
MALZEME Material	STEEL	



Özellikler; (Features)

BEGA NUMARASI Bega No.	BG8039600	
ORJINAL NUMARASI Original No.	N/A	
PE NUMARASI PE No.	076.498-00A	
ÇAP (mm) Diameter (mm)	396	
HACİM (LİTRE) Capacity (Liter)	80	
TOPLAM UZUNLUK (mm.) Length (mm)	750	
MANŞON BAĞLANTISI Thread Connection	M22 X 1,5	
KAPAK BAĞLANTI ELEMAN SAYISI (A) Number Of Connection Elements on Each Side Length (A)	2 (120 mm.)	
KAPAK BAĞLANTI ELEMAN SAYISI (B) Number Of Connection Elements on Each Side Length (B)	1	
GÖVDE BAĞLANTI ELEMAN SAYISI (C) Number Of Connection Elements on Body (C)	1	
MALZEME Material	STEEL	





Özellikler; (Features)

BEGA NUMARASI Bega No.	BG8039603	
ORJINAL NUMARASI Original No.	N/A	
PE NUMARASI PE No.	076.515-00A	
ÇAP (mm) Diameter (mm)	396	
HACİM (LİTRE) Capacity (Liter)	80	
TOPLAM UZUNLUK (mm.) Length (mm)	750	
MANŞON BAĞLANTISI Thread Connection	M22 X 1,5	
KAPAK BAĞLANTI ELEMAN SAYISI (A) Number Of Connection Elements on Each Side Length (A)	2 (120 mm.)	
KAPAK BAĞLANTI ELEMAN SAYISI (B) Number Of Connection Elements on Each Side Length (B)	1	
GÖVDE BAĞLANTI ELEMAN SAYISI (C) Number Of Connection Elements on Body (C)	2	
MALZEME Material	STEEL	



Özellikler; (Features)

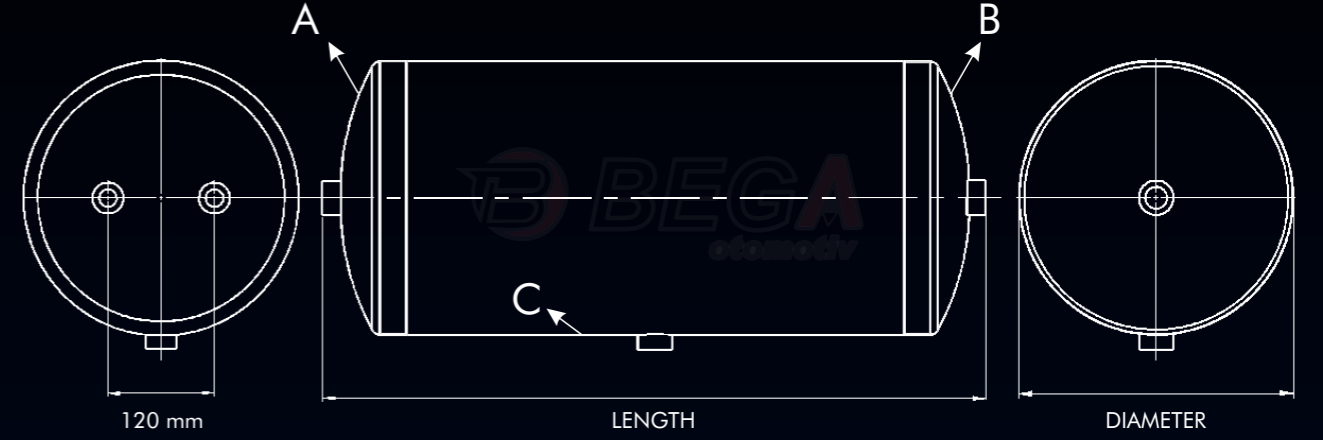
BEGA NUMARASI Bega No.		
ORJINAL NUMARASI Original No.	N/A	
PE NUMARASI PE No.	076.529-00A	
ÇAP (mm) Diameter (mm)	396	
HACİM (LİTRE) Capacity (Liter)	120	
TOPLAM UZUNLUK (mm.) Length (mm)	1067	
MANŞON BAĞLANTISI Thread Connection	M22 X 1,5	
KAPAK BAĞLANTI ELEMAN SAYISI (A) Number Of Connection Elements on Each Side Length (A)	2 (120 mm.)	
KAPAK BAĞLANTI ELEMAN SAYISI (B) Number Of Connection Elements on Each Side Length (B)	1	
GÖVDE BAĞLANTI ELEMAN SAYISI (C) Number Of Connection Elements on Body (C)	1	
MALZEME Material	ALUMINIUM	





Özellikler; (Features)

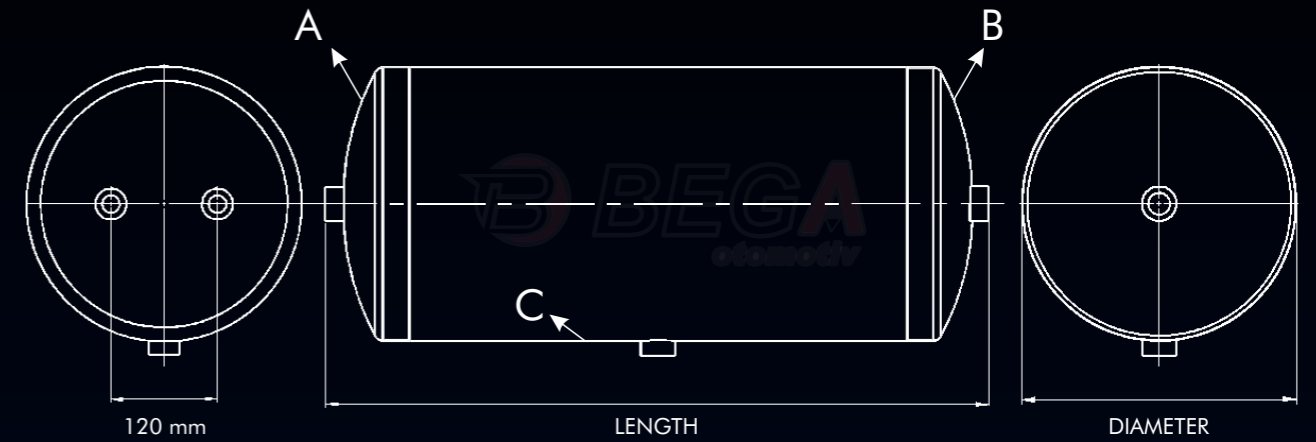
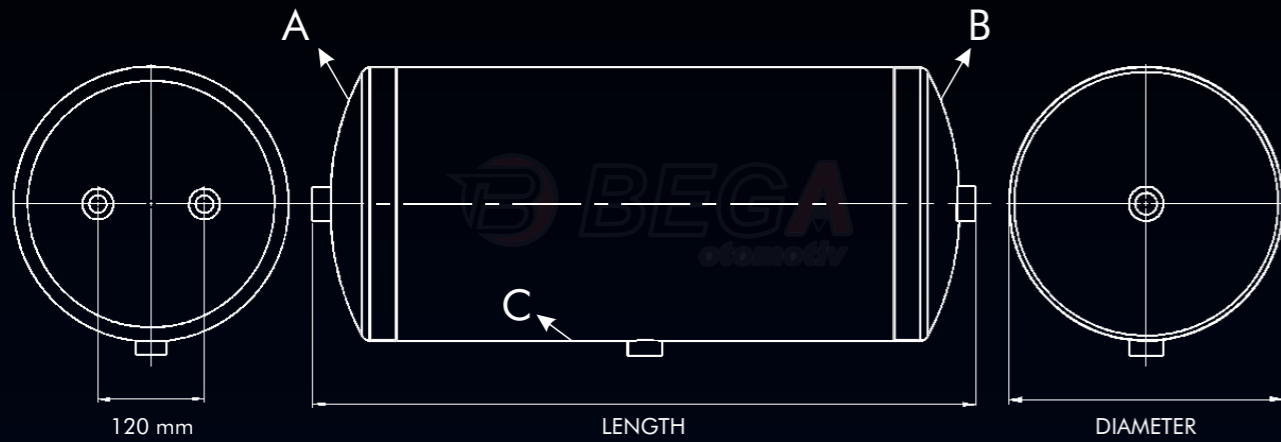
BEGA NUMARASI Bega No.		
ORJINAL NUMARASI Original No.	N/A	
PE NUMARASI PE No.	076.533-00A	
ÇAP (mm) Diameter (mm)	206	
HACİM (LİTRE) Capacity (Liter)	15	
TOPLAM UZUNLUK (mm.) Length (mm)	533	
MANŞON BAĞLANTISI Thread Connection	M22 X 1,5	
KAPAK BAĞLANTI ELEMAN SAYISI (A) Number Of Connection Elements on Each Side Length (A)	2 (120 mm.)	
KAPAK BAĞLANTI ELEMAN SAYISI (B) Number Of Connection Elements on Each Side Length (B)	1	
GÖVDE BAĞLANTI ELEMAN SAYISI (C) Number Of Connection Elements on Body (C)	1	
MALZEME Material	ALUMINIUM	



Özellikler; (Features)

BEGA NUMARASI Bega No.		
ORJINAL NUMARASI Original No.	N/A	
PE NUMARASI PE No.	076.534-00A	
ÇAP (mm) Diameter (mm)	206	
HACİM (LİTRE) Capacity (Liter)	10	
TOPLAM UZUNLUK (mm.) Length (mm)	371	
MANŞON BAĞLANTISI Thread Connection	M22 X 1,5	
KAPAK BAĞLANTI ELEMAN SAYISI (A) Number Of Connection Elements on Each Side Length (A)	2 (120 mm.)	
KAPAK BAĞLANTI ELEMAN SAYISI (B) Number Of Connection Elements on Each Side Length (B)	1	
GÖVDE BAĞLANTI ELEMAN SAYISI (C) Number Of Connection Elements on Body (C)	1	
MALZEME Material	ALUMINIUM	





Özellikler; (Features)

BEGA NUMARASI Bega No.		
ORJINAL NUMARASI Original No.	N/A	
PE NUMARASI PE No.	076.536-00A	
ÇAP (mm) Diameter (mm)	246	
HACİM (LİTRE) Capacity (Liter)	37	
TOPLAM UZUNLUK (mm.) Length (mm)	852	
MANŞON BAĞLANTISI Thread Connection	M22 X 1,5	
KAPAK BAĞLANTI ELEMAN SAYISI (A) Number Of Connection Elements on Each Side Length (A)	2 (120 mm.)	
KAPAK BAĞLANTI ELEMAN SAYISI (B) Number Of Connection Elements on Each Side Length (B)	1	
GÖVDE BAĞLANTI ELEMAN SAYISI (C) Number Of Connection Elements on Body (C)	1	
MALZEME Material	ALUMINIUM	

Özellikler; (Features)

BEGA NUMARASI Bega No.		
ORJINAL NUMARASI Original No.	N/A	
PE NUMARASI PE No.	076.537-00A	
ÇAP (mm) Diameter (mm)	310	
HACİM (LİTRE) Capacity (Liter)	40	
TOPLAM UZUNLUK (mm.) Length (mm)	625	
MANŞON BAĞLANTISI Thread Connection	M22 X 1,5	
KAPAK BAĞLANTI ELEMAN SAYISI (A) Number Of Connection Elements on Each Side Length (A)	2 (120 mm.)	
KAPAK BAĞLANTI ELEMAN SAYISI (B) Number Of Connection Elements on Each Side Length (B)	1	
GÖVDE BAĞLANTI ELEMAN SAYISI (C) Number Of Connection Elements on Body (C)	1	
MALZEME Material	ALUMINIUM	

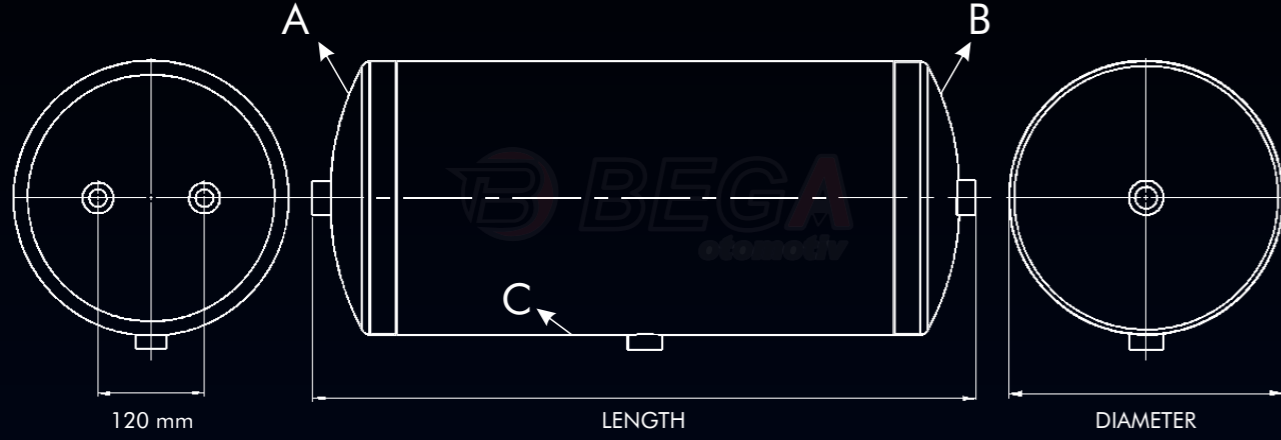


Özellikler; (Features)

BEGA NUMARASI Bega No.		
ORJINAL NUMARASI Original No.	N/A	
PE NUMARASI PE No.	076.539-00A	
ÇAP (mm) Diameter (mm)	310	
HACİM (LİTRE) Capacity (Liter)	40	
TOPLAM UZUNLUK (mm.) Length (mm)	625	
MANŞON BAĞLANTISI Thread Connection	M22 X 1,5	
KAPAK BAĞLANTI ELEMAN SAYISI (A) Number Of Connection Elements on Each Side Length (A)	2 (120 mm.)	
KAPAK BAĞLANTI ELEMAN SAYISI (B) Number Of Connection Elements on Each Side Length (B)	1	
GÖVDE BAĞLANTI ELEMAN SAYISI (C) Number Of Connection Elements on Body (C)	1	
MALZEME Material	ALUMINIUM	

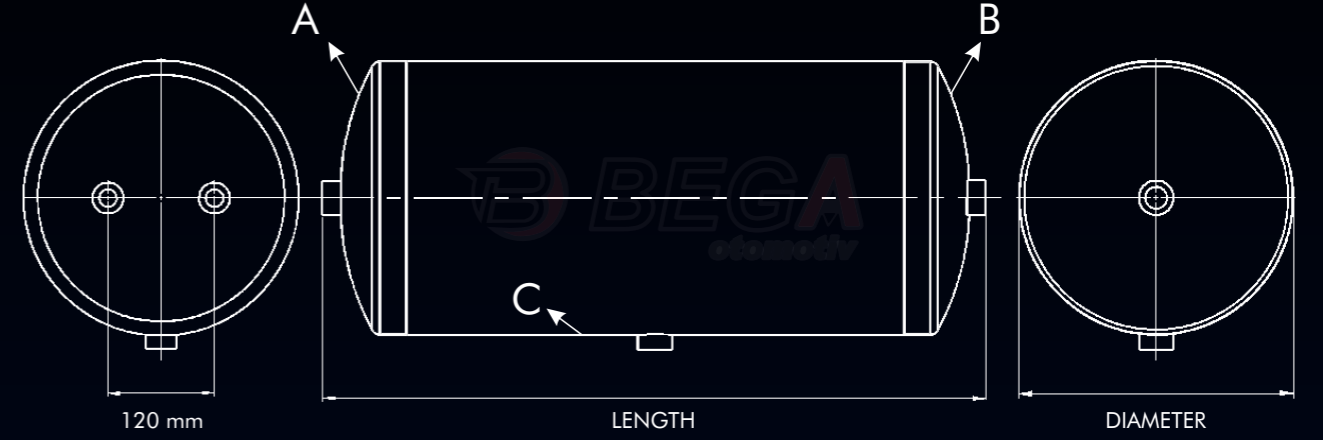
Özellikler; (Features)

BEGA NUMARASI Bega No.		
ORJINAL NUMARASI Original No.	N/A	
PE NUMARASI PE No.	076.540-00A	
ÇAP (mm) Diameter (mm)	396	
HACİM (LİTRE) Capacity (Liter)	60	
TOPLAM UZUNLUK (mm.) Length (mm)	592	
MANŞON BAĞLANTISI Thread Connection	M22 X 1,5	
KAPAK BAĞLANTI ELEMAN SAYISI (A) Number Of Connection Elements on Each Side Length (A)	2 (120 mm.)	
KAPAK BAĞLANTI ELEMAN SAYISI (B) Number Of Connection Elements on Each Side Length (B)	1	
GÖVDE BAĞLANTI ELEMAN SAYISI (C) Number Of Connection Elements on Body (C)	1	
MALZEME Material	ALUMINIUM	



Özellikler; (Features)

BEGA NUMARASI Bega No.	
ORJINAL NUMARASI Original No.	N/A
PE NUMARASI PE No.	076.542-00A
ÇAP (mm) Diameter (mm)	310
HACİM (LİTRE) Capacity (Liter)	60
TOPLAM UZUNLUK (mm.) Length (mm)	901
MANŞON BAĞLANTISI Thread Connection	M22 X 1,5
KAPAK BAĞLANTI ELEMAN SAYISI (A) Number Of Connection Elements on Each Side Length (A)	2 (120 mm.)
KAPAK BAĞLANTI ELEMAN SAYISI (B) Number Of Connection Elements on Each Side Length (B)	1
GÖVDE BAĞLANTI ELEMAN SAYISI (C) Number Of Connection Elements on Body (C)	1
MALZEME Material	ALUMINIUM



Özellikler; (Features)

BEGA NUMARASI Bega No.	
ORJINAL NUMARASI Original No.	N/A
PE NUMARASI PE No.	076.545-00A
ÇAP (mm) Diameter (mm)	310
HACİM (LİTRE) Capacity (Liter)	80
TOPLAM UZUNLUK (mm.) Length (mm)	1153
MANŞON BAĞLANTISI Thread Connection	M22 X 1,5
KAPAK BAĞLANTI ELEMAN SAYISI (A) Number Of Connection Elements on Each Side Length (A)	2 (120 mm.)
KAPAK BAĞLANTI ELEMAN SAYISI (B) Number Of Connection Elements on Each Side Length (B)	1
GÖVDE BAĞLANTI ELEMAN SAYISI (C) Number Of Connection Elements on Body (C)	1
MALZEME Material	ALUMINIUM



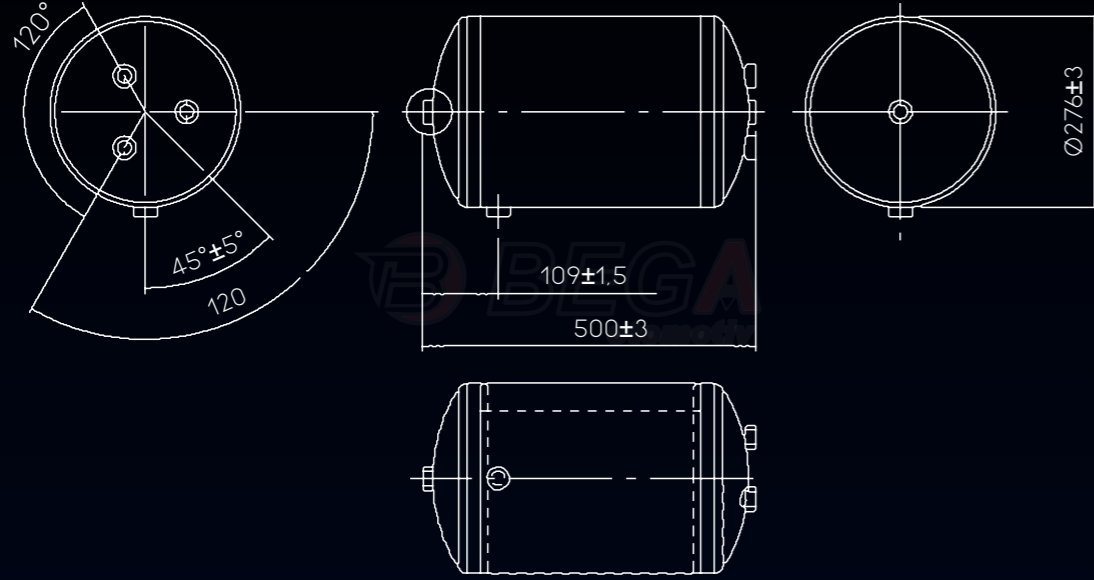


Özellikler; (Features)

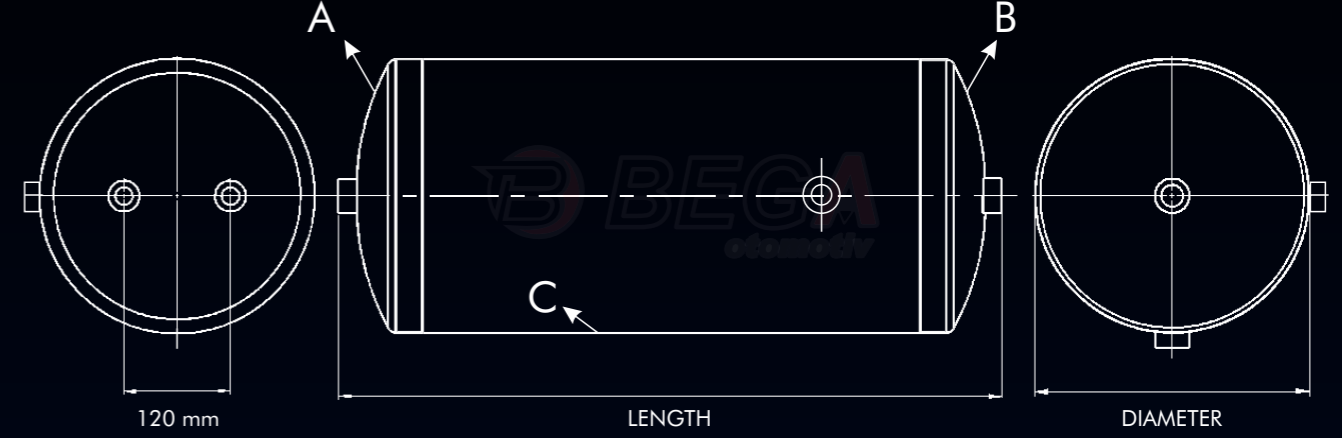
BEGA NUMARASI Bega No.	
ORJINAL NUMARASI Original No.	N/A
PE NUMARASI PE No.	076.547-00A
ÇAP (mm) Diameter (mm)	396
HACİM (LİTRE) Capacity (Liter)	80
TOPLAM UZUNLUK (mm.) Length (mm)	750
MANŞON BAĞLANTISI Thread Connection	M22 X 1,5
KAPAK BAĞLANTI ELEMAN SAYISI (A) Number Of Connection Elements on Each Side Length (A)	2 (120 mm.)
KAPAK BAĞLANTI ELEMAN SAYISI (B) Number Of Connection Elements on Each Side Length (B)	1
GÖVDE BAĞLANTI ELEMAN SAYISI (C) Number Of Connection Elements on Body (C)	1
MALZEME Material	ALUMINIUM

Özellikler; (Features)

BEGA NUMARASI Bega No.	
ORJINAL NUMARASI Original No.	VOLVO 20 579 606
PE NUMARASI PE No.	146,500-00A
ÇAP (mm) Diameter (mm)	276
HACİM (LİTRE) Capacity (Liter)	80
TOPLAM UZUNLUK (mm.) Length (mm)	575
MANŞON BAĞLANTISI Thread Connection	M22 X 1,5
KAPAK BAĞLANTI ELEMAN SAYISI (A) Number Of Connection Elements on Each Side Length (A)	2 (120 mm.)
KAPAK BAĞLANTI ELEMAN SAYISI (B) Number Of Connection Elements on Each Side Length (B)	1
GÖVDE BAĞLANTI ELEMAN SAYISI (C) Number Of Connection Elements on Body (C)	1
MALZEME Material	STEEL

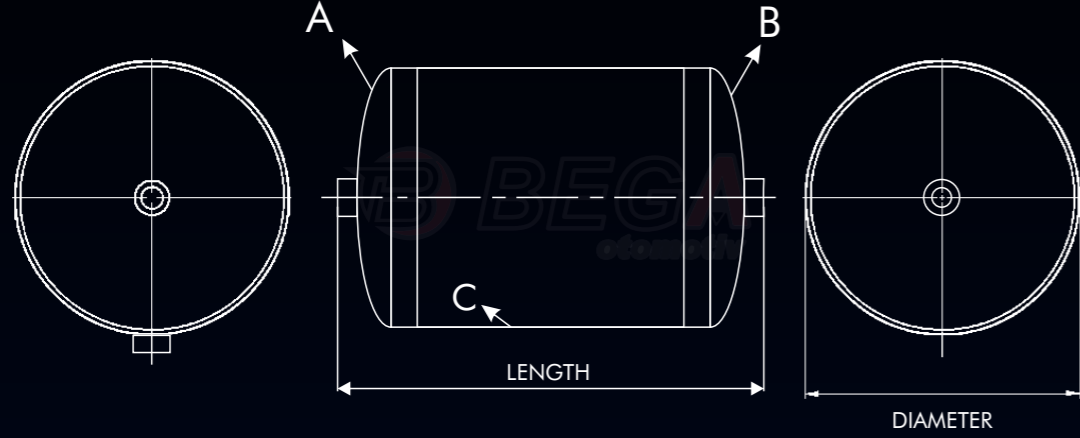

Özellikler;
(Features)

BEGA NUMARASI Bega No.	BG2527601	
ORJINAL NUMARASI Original No.	VOLVO 20 579 604	
PE NUMARASI PE No.	146.501-00A	
ÇAP (mm) Diameter (mm)	276	
HACİM (LİTRE) Capacity (Liter)	25	
TOPLAM UZUNLUK (mm.) Length (mm)	500	
MANŞON BAĞLANTISI Thread Connection	M22 X 1,5	
KAPAK BAĞLANTI ELEMAN SAYISI (A) Number Of Connection Elements on Each Side Length (A)	3	
KAPAK BAĞLANTI ELEMAN SAYISI (B) Number Of Connection Elements on Each Side Length (B)	1	
GÖVDE BAĞLANTI ELEMAN SAYISI (C) Number Of Connection Elements on Body (C)	1	
MALZEME Material	STEEL	


Özellikler;
(Features)

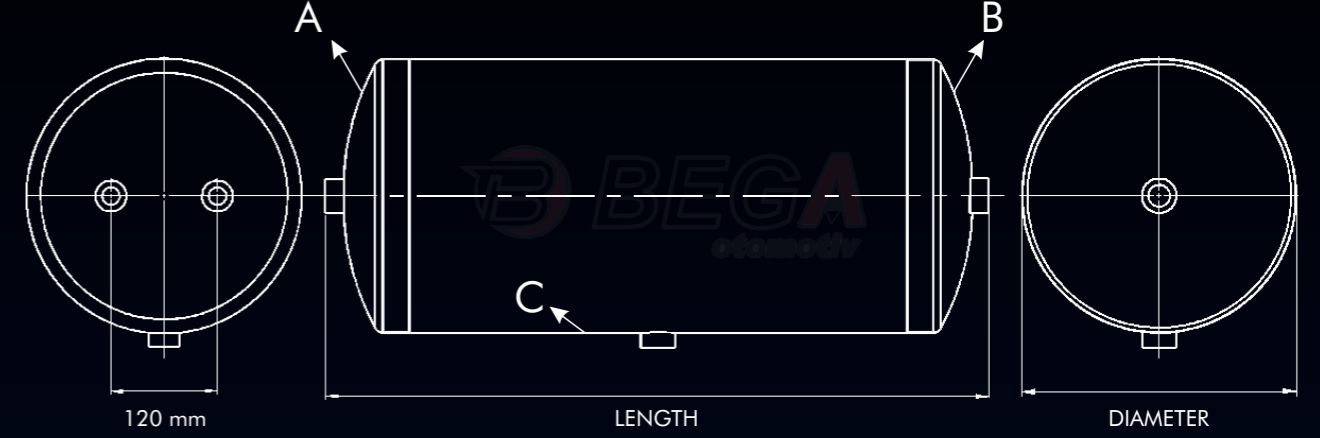
BEGA NUMARASI Bega No.		
ORJINAL NUMARASI Original No.	VOLVO 20 579 600	
PE NUMARASI PE No.	146,502-00A	
ÇAP (mm) Diameter (mm)	206	
HACİM (LİTRE) Capacity (Liter)	15	
TOPLAM UZUNLUK (mm.) Length (mm)	511	
MANŞON BAĞLANTISI Thread Connection	M22 X 1,5	
KAPAK BAĞLANTI ELEMAN SAYISI (A) Number Of Connection Elements on Each Side Length (A)	2	
KAPAK BAĞLANTI ELEMAN SAYISI (B) Number Of Connection Elements on Each Side Length (B)	1	
GÖVDE BAĞLANTI ELEMAN SAYISI (C) Number Of Connection Elements on Body (C)	1	
MALZEME Material	STEEL	





Özellikler;
(Features)

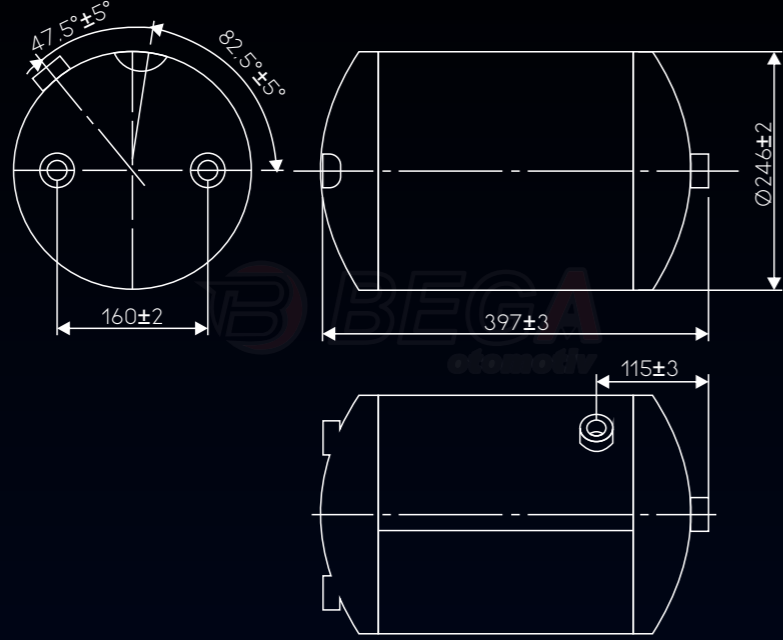
BEGA NUMARASI Bega No.	BG0620601	
ORJINAL NUMARASI Original No.	VOLVO 20 579 593	
PE NUMARASI PE No.	146.503-00A	
ÇAP (mm) Diameter (mm)	206	
HACİM (LİTRE) Capacity (Liter)	6	
TOPLAM UZUNLUK (mm.) Length (mm)	242	
MANŞON BAĞLANTISI Thread Connection	M22 X 1,5	
KAPAK BAĞLANTI ELEMAN SAYISI (A) Number Of Connection Elements on Each Side Length (A)	1	
KAPAK BAĞLANTI ELEMAN SAYISI (B) Number Of Connection Elements on Each Side Length (B)	1	
GÖVDE BAĞLANTI ELEMAN SAYISI (C) Number Of Connection Elements on Body (C)	1	
MALZEME Material	STEEL	



Özellikler;
(Features)

BEGA NUMARASI Bega No.		
ORJINAL NUMARASI Original No.	VOLVO 20 579 608	
PE NUMARASI PE No.	146,504-00A	
ÇAP (mm) Diameter (mm)	396	
HACİM (LİTRE) Capacity (Liter)	50	
TOPLAM UZUNLUK (mm.) Length (mm)	480	
MANŞON BAĞLANTISI Thread Connection	M22 X 1,5	
KAPAK BAĞLANTI ELEMAN SAYISI (A) Number Of Connection Elements on Each Side Length (A)	2	
KAPAK BAĞLANTI ELEMAN SAYISI (B) Number Of Connection Elements on Each Side Length (B)	1	
GÖVDE BAĞLANTI ELEMAN SAYISI (C) Number Of Connection Elements on Body (C)	1	
MALZEME Material	STEEL	





Özellikler;
(Features)

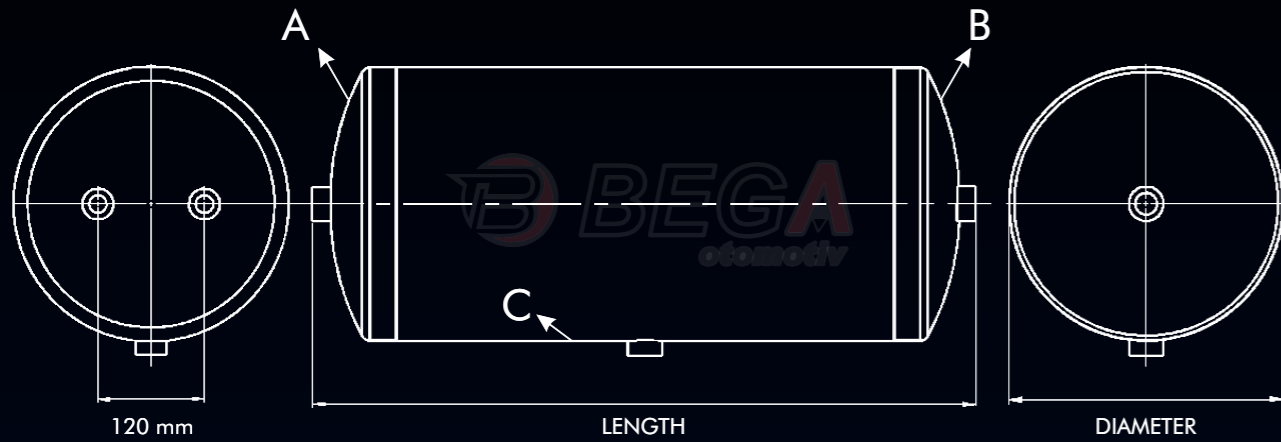
BEGA NUMARASI Bega No.	BG1524600	
ORJINAL NUMARASI Original No.	VOLVO 20 772 295	
PE NUMARASI PE No.	146.505-00A	
ÇAP (mm) Diameter (mm)	246	
HACİM (LİTRE) Capacity (Liter)	15	
TOPLAM UZUNLUK (mm.) Length (mm)	397	
MANŞON BAĞLANTISI Thread Connection	M22 X 1,5	
KAPAK BAĞLANTI ELEMAN SAYISI (A) Number Of Connection Elements on Each Side Length (A)	2 (160 mm.)	
KAPAK BAĞLANTI ELEMAN SAYISI (B) Number Of Connection Elements on Each Side Length (B)	1	
GÖVDE BAĞLANTI ELEMAN SAYISI (C) Number Of Connection Elements on Body (C)	1	
MALZEME Material	STEEL	



Özellikler;
(Features)

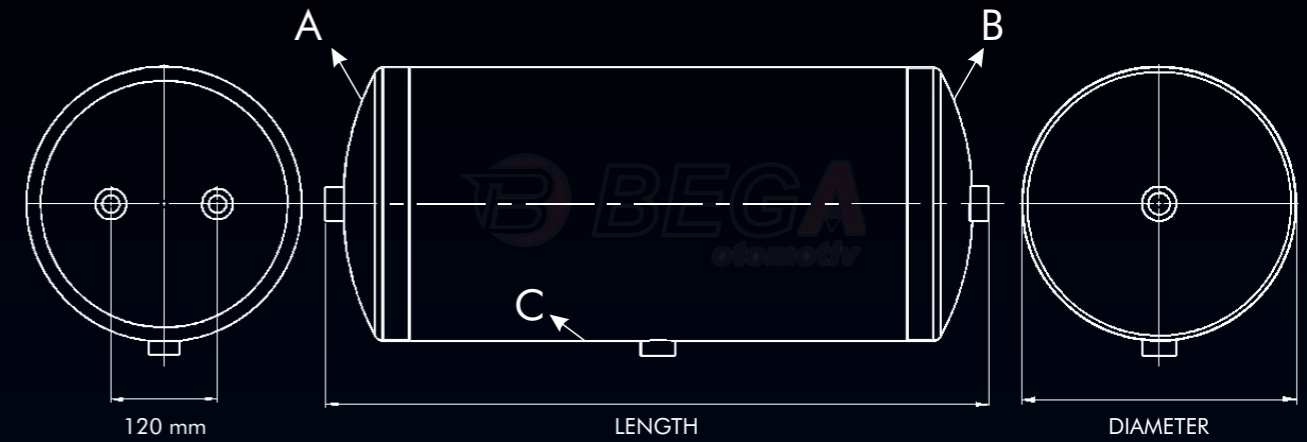
BEGA NUMARASI Bega No.		
ORJINAL NUMARASI Original No.	VOLVO 20 984 637	
PE NUMARASI PE No.	146,506-00A	
ÇAP (mm) Diameter (mm)	276	
HACİM (LİTRE) Capacity (Liter)	50	
TOPLAM UZUNLUK (mm.) Length (mm)	931	
MANŞON BAĞLANTISI Thread Connection	M22 X 1,5	
KAPAK BAĞLANTI ELEMAN SAYISI (A) Number Of Connection Elements on Each Side Length (A)	3 (120 mm.)	
KAPAK BAĞLANTI ELEMAN SAYISI (B) Number Of Connection Elements on Each Side Length (B)	1	
GÖVDE BAĞLANTI ELEMAN SAYISI (C) Number Of Connection Elements on Body (C)	1	
MALZEME Material	STEEL	





Özellikler;
(Features)

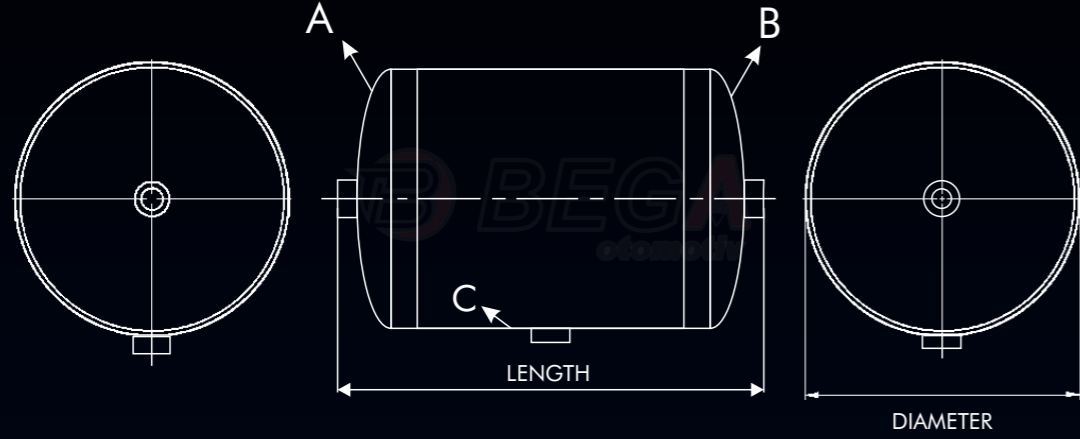
BEGA NUMARASI Bega No.	BG1020608	
ORJINAL NUMARASI Original No.	VOLVO 21 018 310	
PE NUMARASI PE No.	146.507-00A	
ÇAP (mm) Diameter (mm)	206	
HACİM (LİTRE) Capacity (Liter)	10	
TOPLAM UZUNLUK (mm.) Length (mm)	371	
MANŞON BAĞLANTISI Thread Connection	M22 X 1,5	
KAPAK BAĞLANTI ELEMAN SAYISI (A) Number Of Connection Elements on Each Side Length (A)	2 (120 mm.)	
KAPAK BAĞLANTI ELEMAN SAYISI (B) Number Of Connection Elements on Each Side Length (B)	1	
GÖVDE BAĞLANTI ELEMAN SAYISI (C) Number Of Connection Elements on Body (C)	1	
MALZEME Material	STEEL	



Özellikler;
(Features)

BEGA NUMARASI Bega No.		
ORJINAL NUMARASI Original No.	VOLVO 21 048 245	
PE NUMARASI PE No.	146,508-00A	
ÇAP (mm) Diameter (mm)	246	
HACİM (LİTRE) Capacity (Liter)	15	
TOPLAM UZUNLUK (mm.) Length (mm)	379	
MANŞON BAĞLANTISI Thread Connection	M22 X 1,5	
KAPAK BAĞLANTI ELEMAN SAYISI (A) Number Of Connection Elements on Each Side Length (A)	2 (160 mm.)	
KAPAK BAĞLANTI ELEMAN SAYISI (B) Number Of Connection Elements on Each Side Length (B)	1	
GÖVDE BAĞLANTI ELEMAN SAYISI (C) Number Of Connection Elements on Body (C)	1	
MALZEME Material	STEEL	





Özellikler;
(Features)

BEGA NUMARASI Bega No.		
ORJINAL NUMARASI Original No.	VOLVO 20 714 525	
PE NUMARASI PE No.	146.509-00A	
ÇAP (mm) Diameter (mm)	166	
HACİM (LİTRE) Capacity (Liter)	6	
TOPLAM UZUNLUK (mm.) Length (mm)	401	
MANŞON BAĞLANTISI Thread Connection	M22 X 1,5	
KAPAK BAĞLANTI ELEMAN SAYISI (A) Number Of Connection Elements on Each Side Length (A)	1	
KAPAK BAĞLANTI ELEMAN SAYISI (B) Number Of Connection Elements on Each Side Length (B)	1	
GÖVDE BAĞLANTI ELEMAN SAYISI (C) Number Of Connection Elements on Body (C)	1	
MALZEME Material	STEEL	



Özellikler;
(Features)

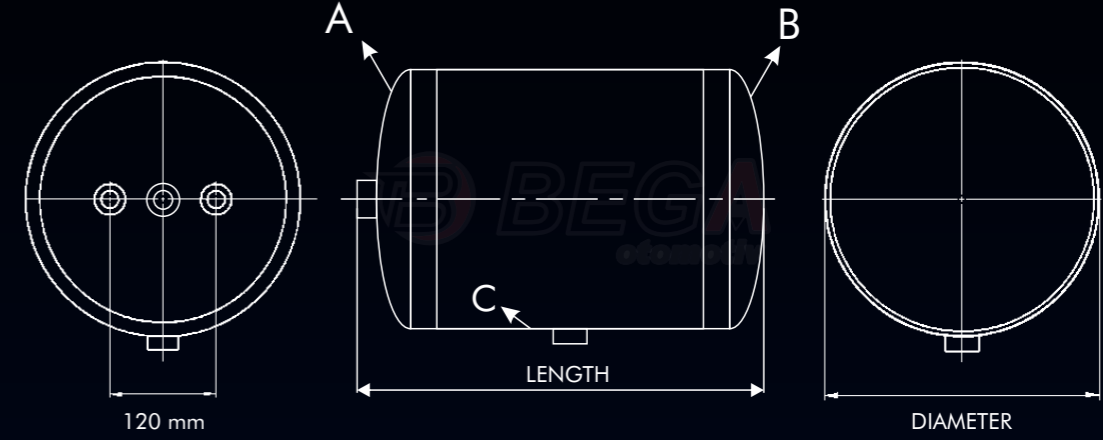
BEGA NUMARASI Bega No.		
ORJINAL NUMARASI Original No.	VOLVO 20 714 512	
PE NUMARASI PE No.	146.510-00A	
ÇAP (mm) Diameter (mm)	246	
HACİM (LİTRE) Capacity (Liter)	30	
TOPLAM UZUNLUK (mm.) Length (mm)	720	
MANŞON BAĞLANTISI Thread Connection	M22 X 1,5	
KAPAK BAĞLANTI ELEMAN SAYISI (A) Number Of Connection Elements on Each Side Length (A)	3 (160 mm.)	
KAPAK BAĞLANTI ELEMAN SAYISI (B) Number Of Connection Elements on Each Side Length (B)	3	
GÖVDE BAĞLANTI ELEMAN SAYISI (C) Number Of Connection Elements on Body (C)	0	
MALZEME Material	STEEL	





Özellikler;
(Features)

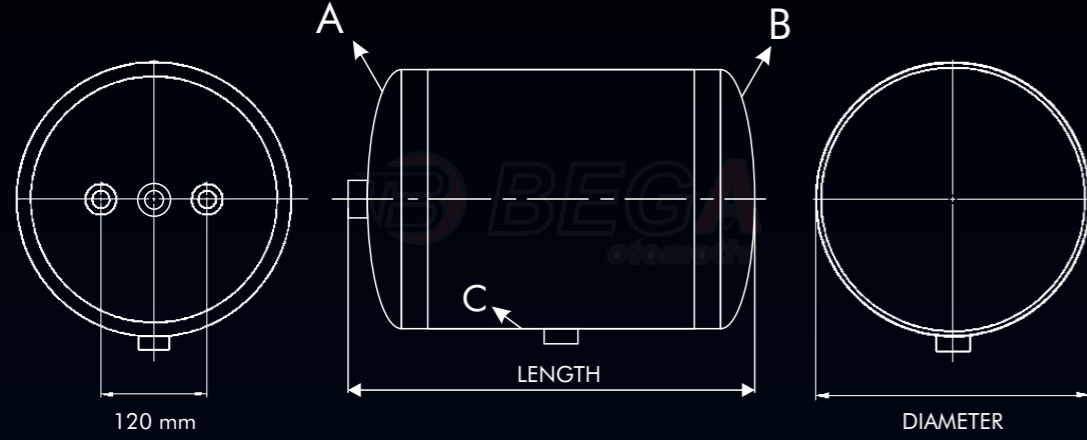
BEGA NUMARASI Bega No.		
ORJINAL NUMARASI Original No.	VOLVO 20 714 520	
PE NUMARASI PE No.	146.511-00A	
ÇAP (mm) Diameter (mm)	276	
HACİM (LİTRE) Capacity (Liter)	25	
TOPLAM UZUNLUK (mm.) Length (mm)	500	
MANŞON BAĞLANTISI Thread Connection	M22 X 1,5	
KAPAK BAĞLANTI ELEMAN SAYISI (A) Number Of Connection Elements on Each Side Length (A)	3 (190 mm.)	
KAPAK BAĞLANTI ELEMAN SAYISI (B) Number Of Connection Elements on Each Side Length (B)	3	
GÖVDE BAĞLANTI ELEMAN SAYISI (C) Number Of Connection Elements on Body (C)	0	
MALZEME Material	STEEL	



Özellikler;
(Features)

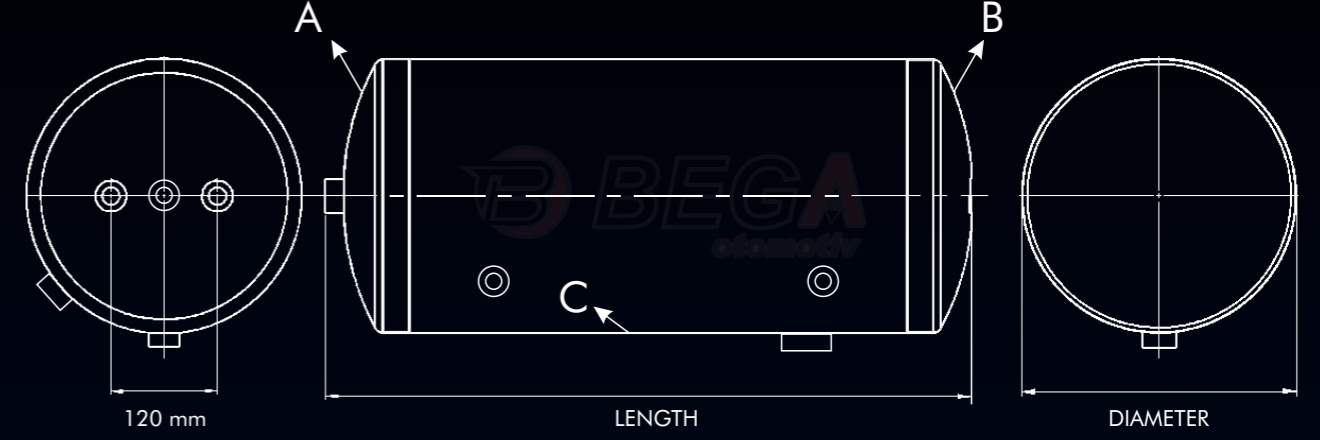
BEGA NUMARASI Bega No.	BG1520606	
ORJINAL NUMARASI Original No.	VOLVO 20 904 405	
PE NUMARASI PE No.	146.512-00A	
ÇAP (mm) Diameter (mm)	206	
HACİM (LİTRE) Capacity (Liter)	15	
TOPLAM UZUNLUK (mm.) Length (mm)	550	
MANŞON BAĞLANTISI Thread Connection	M22 X 1,5	
KAPAK BAĞLANTI ELEMAN SAYISI (A) Number Of Connection Elements on Each Side Length (A)	3 (160 mm.)	
KAPAK BAĞLANTI ELEMAN SAYISI (B) Number Of Connection Elements on Each Side Length (B)	0	
GÖVDE BAĞLANTI ELEMAN SAYISI (C) Number Of Connection Elements on Body (C)	1	
MALZEME Material	STEEL	





Özellikler;
(Features)

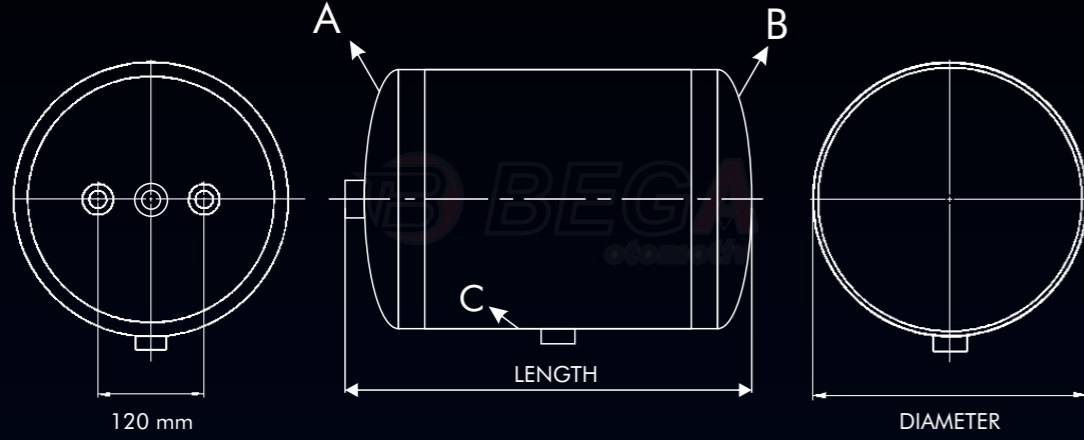
BEGA NUMARASI Bega No.	BG2524607	
ORJINAL NUMARASI Original No.	VOLVO 20 904 407	
PE NUMARASI PE No.	146.513-00A	
ÇAP (mm) Diameter (mm)	246	
HACİM (LİTRE) Capacity (Liter)	25	
TOPLAM UZUNLUK (mm.) Length (mm)	605	
MANŞON BAĞLANTISI Thread Connection	M22 X 1,5	
KAPAK BAĞLANTI ELEMAN SAYISI (A) Number Of Connection Elements on Each Side Length (A)	3 (120 mm.)	
KAPAK BAĞLANTI ELEMAN SAYISI (B) Number Of Connection Elements on Each Side Length (B)	0	
GÖVDE BAĞLANTI ELEMAN SAYISI (C) Number Of Connection Elements on Body (C)	1	
MALZEME Material	STEEL	



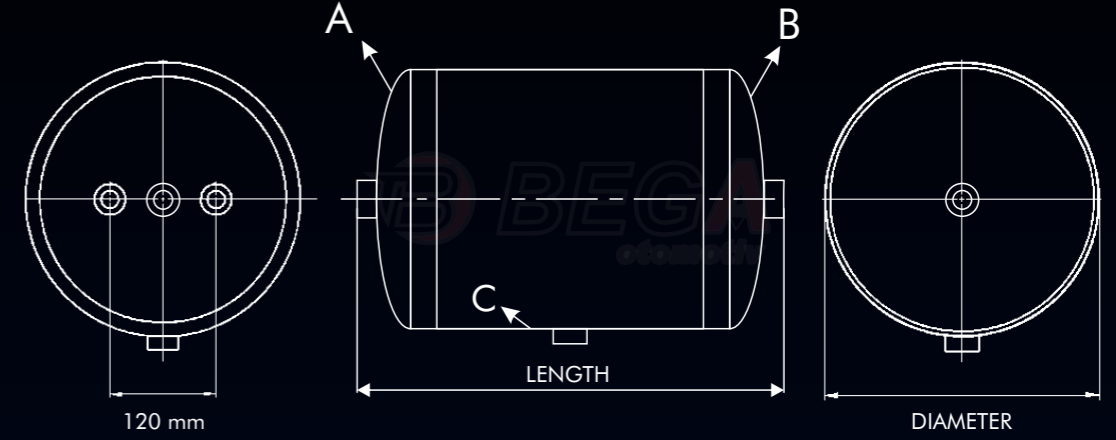
Özellikler;
(Features)

BEGA NUMARASI Bega No.	BG4027605	
ORJINAL NUMARASI Original No.	VOLVO 20 904 411	
PE NUMARASI PE No.	146.514-00A	
ÇAP (mm) Diameter (mm)	276	
HACİM (LİTRE) Capacity (Liter)	40	
TOPLAM UZUNLUK (mm.) Length (mm)	740	
MANŞON BAĞLANTISI Thread Connection	M22 X 1,5	
KAPAK BAĞLANTI ELEMAN SAYISI (A) Number Of Connection Elements on Each Side Length (A)	3 (120 mm.)	
KAPAK BAĞLANTI ELEMAN SAYISI (B) Number Of Connection Elements on Each Side Length (B)	0	
GÖVDE BAĞLANTI ELEMAN SAYISI (C) Number Of Connection Elements on Body (C)	3	
MALZEME Material	STEEL	



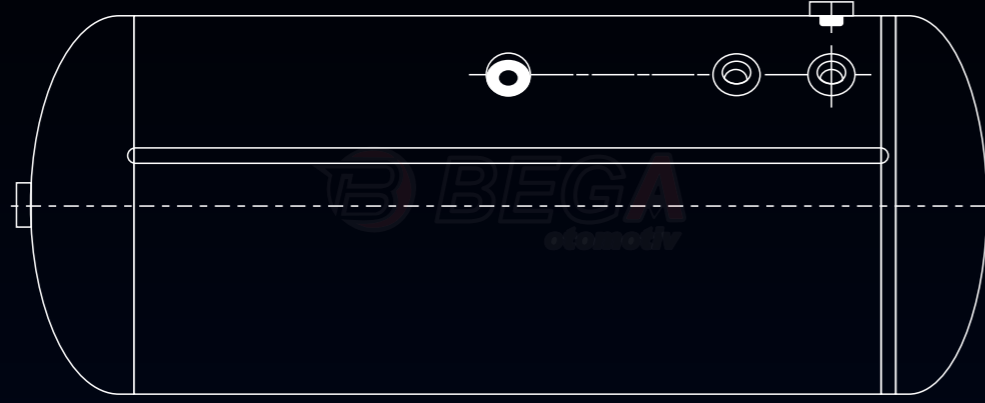

Özellikler;
(Features)

BEGA NUMARASI Bega No.	BG3027606	
ORJINAL NUMARASI Original No.	VOLVO 20 904 408	
PE NUMARASI PE No.	146.515-00A	
ÇAP (mm) Diameter (mm)	276	
HACİM (LİTRE) Capacity (Liter)	30	
TOPLAM UZUNLUK (mm.) Length (mm)	585	
MANŞON BAĞLANTISI Thread Connection	M22 X 1,5	
KAPAK BAĞLANTI ELEMAN SAYISI (A) Number Of Connection Elements on Each Side Length (A)	3 (120 mm.)	
KAPAK BAĞLANTI ELEMAN SAYISI (B) Number Of Connection Elements on Each Side Length (B)	0	
GÖVDE BAĞLANTI ELEMAN SAYISI (C) Number Of Connection Elements on Body (C)	1	
MALZEME Material	STEEL	

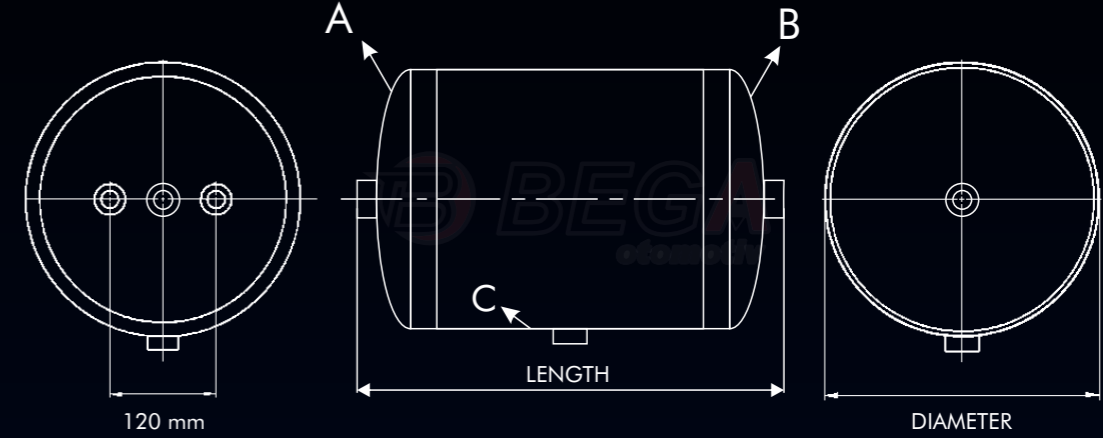

Özellikler;
(Features)

BEGA NUMARASI Bega No.	BG1524602	
ORJINAL NUMARASI Original No.	VOLVO 21 187 782	
PE NUMARASI PE No.	146.516-00A	
ÇAP (mm) Diameter (mm)	246	
HACİM (LİTRE) Capacity (Liter)	15	
TOPLAM UZUNLUK (mm.) Length (mm)	385	
MANŞON BAĞLANTISI Thread Connection	M22 X 1,5	
KAPAK BAĞLANTI ELEMAN SAYISI (A) Number Of Connection Elements on Each Side Length (A)	3 (120 mm.)	
KAPAK BAĞLANTI ELEMAN SAYISI (B) Number Of Connection Elements on Each Side Length (B)	1	
GÖVDE BAĞLANTI ELEMAN SAYISI (C) Number Of Connection Elements on Body (C)	1	
MALZEME Material	STEEL	



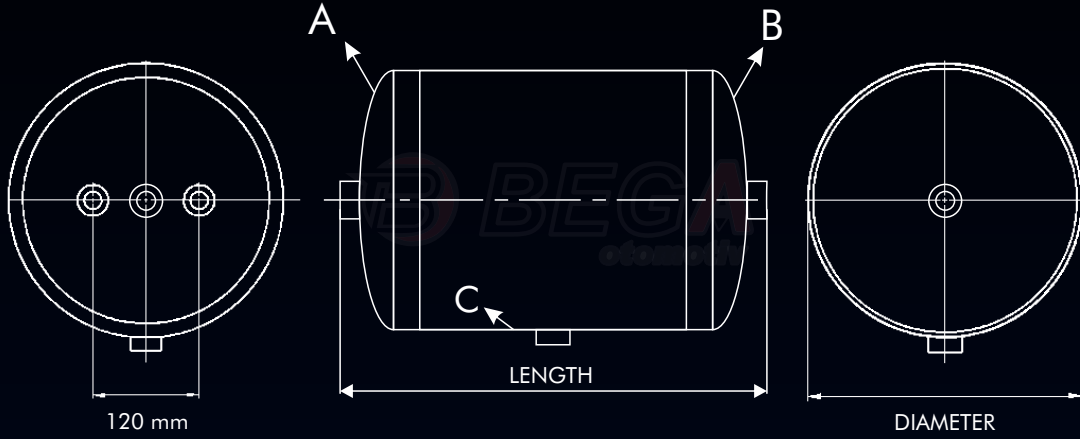

Özellikler;
(Features)

BEGA NUMARASI Bega No.	BG3827600	
ORJINAL NUMARASI Original No.	VOLVO 21 187 793	
PE NUMARASI PE No.	146.517-00A	
ÇAP (mm) Diameter (mm)	276	
HACİM (LİTRE) Capacity (Liter)	38	
TOPLAM UZUNLUK (mm.) Length (mm)	710	
MANŞON BAĞLANTISI Thread Connection	M22 X 1,5	
KAPAK BAĞLANTI ELEMAN SAYISI (A) Number Of Connection Elements on Each Side Length (A)	1	
KAPAK BAĞLANTI ELEMAN SAYISI (B) Number Of Connection Elements on Each Side Length (B)	0	
GÖVDE BAĞLANTI ELEMAN SAYISI (C) Number Of Connection Elements on Body (C)	4	
MALZEME Material	STEEL	


Özellikler;
(Features)

BEGA NUMARASI Bega No.	BG3939600	
ORJINAL NUMARASI Original No.	VOLVO 21 187 795	
PE NUMARASI PE No.	146.518-00A	
ÇAP (mm) Diameter (mm)	396	
HACİM (LİTRE) Capacity (Liter)	39	
TOPLAM UZUNLUK (mm.) Length (mm)	417	
MANŞON BAĞLANTISI Thread Connection	M22 X 1,5	
KAPAK BAĞLANTI ELEMAN SAYISI (A) Number Of Connection Elements on Each Side Length (A)	3 (120 mm.)	
KAPAK BAĞLANTI ELEMAN SAYISI (B) Number Of Connection Elements on Each Side Length (B)	1	
GÖVDE BAĞLANTI ELEMAN SAYISI (C) Number Of Connection Elements on Body (C)	1	
MALZEME Material	STEEL	





Özellikler; (Features)

BEGA NUMARASI Bega No.	BG2527603	
ORJINAL NUMARASI Original No.	VOLVO 21 187 789	
PE NUMARASI PE No.	146.519-00A	
ÇAP (mm) Diameter (mm)	276	
HACİM (LİTRE) Capacity (Liter)	25	
TOPLAM UZUNLUK (mm.) Length (mm)	501	
MANŞON BAĞLANTISI Thread Connection	M22 X 1,5	
KAPAK BAĞLANTI ELEMAN SAYISI (A) Number Of Connection Elements on Each Side Length (A)	3 (120 mm.)	
KAPAK BAĞLANTI ELEMAN SAYISI (B) Number Of Connection Elements on Each Side Length (B)	1	
GÖVDE BAĞLANTI ELEMAN SAYISI (C) Number Of Connection Elements on Body (C)	1	
MALZEME Material	STEEL	